



ANATECH ELECTRONICS INC
RF & Microwave Filters & Products

10000 MHz Suspended Stripline High Pass Filter

Part Number: AE10000SSH6604



Electrical Specifications

Cut Off Frequency: 10GHz
Pass Band Frequency: 10~28GHz
Pass Band Insertion Loss:
 $\leq 1.5\text{dB @ } 10\sim 10.4\text{GHz}$
 $\leq 1.0\text{dB @ } 10.4\sim 28\text{GHz}$
Pass Band VSWR:
 $\leq 1.5:1 @ 10\sim 20\text{GHz}$
 $\leq 1.8:1 @ 20\sim 28\text{GHz}$
Stop Band Attenuation: $\geq 50\text{dB @ DC}\sim 8.25\text{GHz}$
Impedance: 50 Ohms
Power Handling: $\leq 15\text{W}$

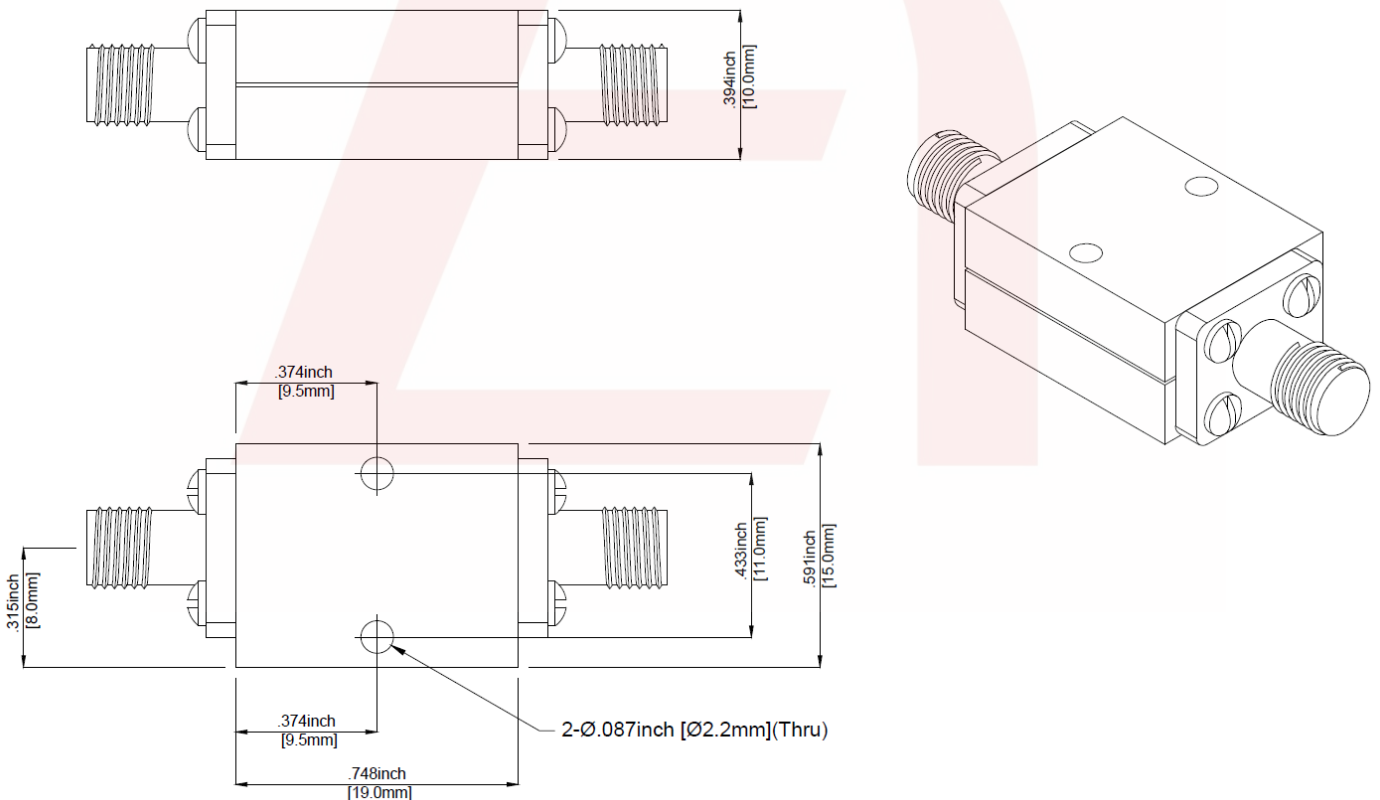
Mechanical

Mounting Method: Through Holes
Connector Type: SMA-Female
Dimensions: 19 x 15 x 10 mm

Environmental

Operating Temperature: -45° to $+85^\circ$ C
Storage Temperature: -55° to $+95^\circ$ C
Shock: 20 G. 11ms
Vibration: 20 G. 5 to 200 Hz

Outline Drawing:



DS-SSH6604-01292019-Rev0

70 Outwater Lane Phone: (973) 772-4242
 Garfield, NJ 07026 Fax : (973) 772-4646

Email: sales@anatechelectronics.com
 Web: www.anatechelectronics.com