

|          |            |     |        |          |     |
|----------|------------|-----|--------|----------|-----|
| PART NO. | A98246-001 | REV | ECO    | DATE     | APP |
|          |            | A   | 104984 | 11-01-18 | HV  |

**MATERIALS**

**HOUSING:**

ALUMINUM 6061, NICKEL PLATED  
(500 MICRONS MINIMUM) PER  
SAE-AMS-2404

**INSULATOR & CAP:**

PPS PER MIL-M-24519, TYPE  
GST 40F

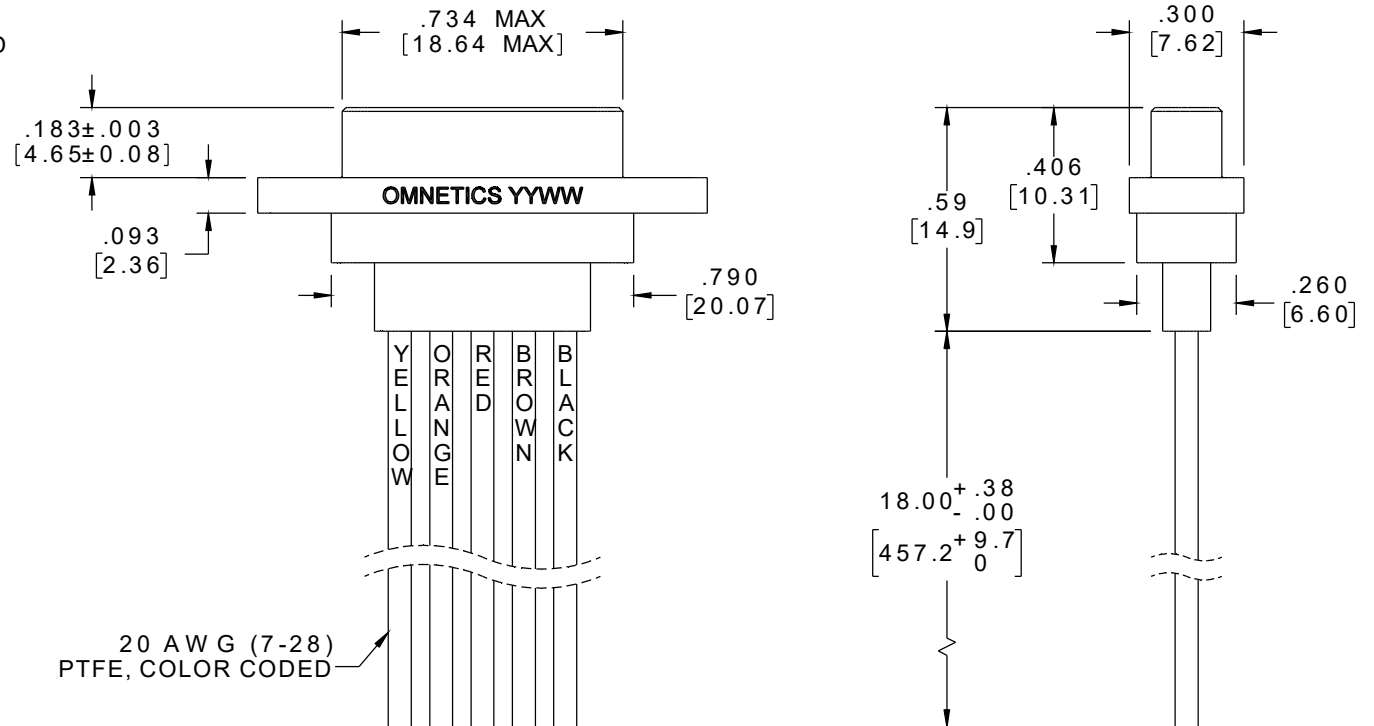
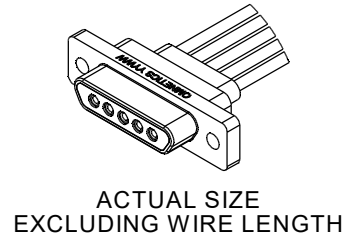
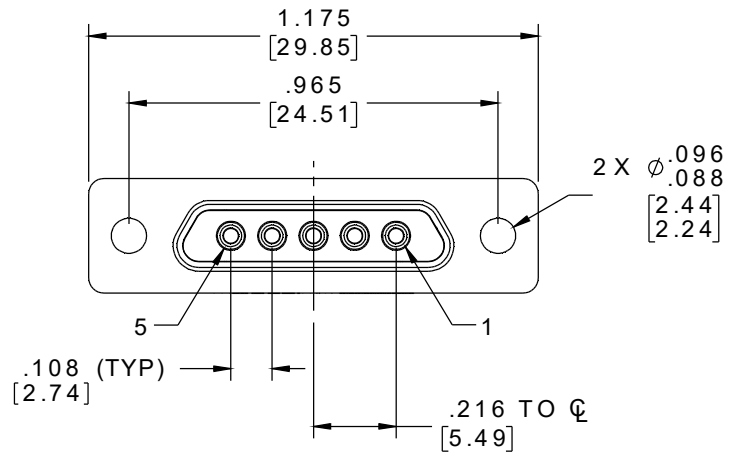
**CONTACT:**

COPPER ALLOY PER SAE-AS39029  
GOLD PLATED PER ASTM B488  
(HARD GOLD), TYPE II, CODE C  
CLASS 1.27

**WIRE:**

NEMA HP3 TYPE E, COLOR CODED  
IAW MIL-STD-681, SYSTEM 1,  
USING TEN SOLID REPEATING  
COLORS

| CONTACT # | COLOR  |
|-----------|--------|
| 1         | BLACK  |
| 2         | BROWN  |
| 3         | RED    |
| 4         | ORANGE |
| 5         | YELLOW |



**NOTE:**

DIMENSIONS IN [ ] ARE IN  
MILLIMETERS UNLESS  
OTHERWISE NOTED AND ARE  
FOR REFERENCE ONLY

|                  |  |  |      |  |                 |
|------------------|--|--|------|--|-----------------|
| MMDP<br>SLDW     | THIRD ANGLE  | THIS DRAWING CONTAINS CONFIDENTIAL AND PROPRIETARY INFORMATION WHICH IS THE PROPERTY OF OMNETICS CONNECTOR CORP. THIS DOCUMENT MAY NOT, IN WHOLE OR IN PART, BE DUPLICATED, OR DISCLOSED FOR ANY PURPOSE, WITHOUT WRITTEN PERMISSION FROM OMNETICS CONNECTOR CORP. |      | <b>OMNETICS</b><br>CONNECTOR CORPORATION<br>7260 COMMERCE CIRCLE EAST<br>MINNEAPOLIS, MN 55432<br>WWW.OMNETICS.COM | CAGE CODE 61873 |
|                  | -TOLERANCES-<br>UNLESS OTHERWISE NOTED<br>DIMENSIONS IN INCHES | DFTM. STN  | DATE |  | TITLE:          |
|                  | 2 PL DEC ± .01   | CHK'D.   | DATE | (5-0) CONTACT PLUG   | A98246-001      |
|                  | 3 PL DEC ± .005  | APP'D.   | DATE | HYBRID POWER<br>MICRO-D CONNECTOR  | SHEET 1 OF 1    |
| 4 PL DEC ± .0005 |  |  |      | SCALE: 2:1   | REV<br>A        |
| ANGLES ± 1°      |  |  |      |  |                 |