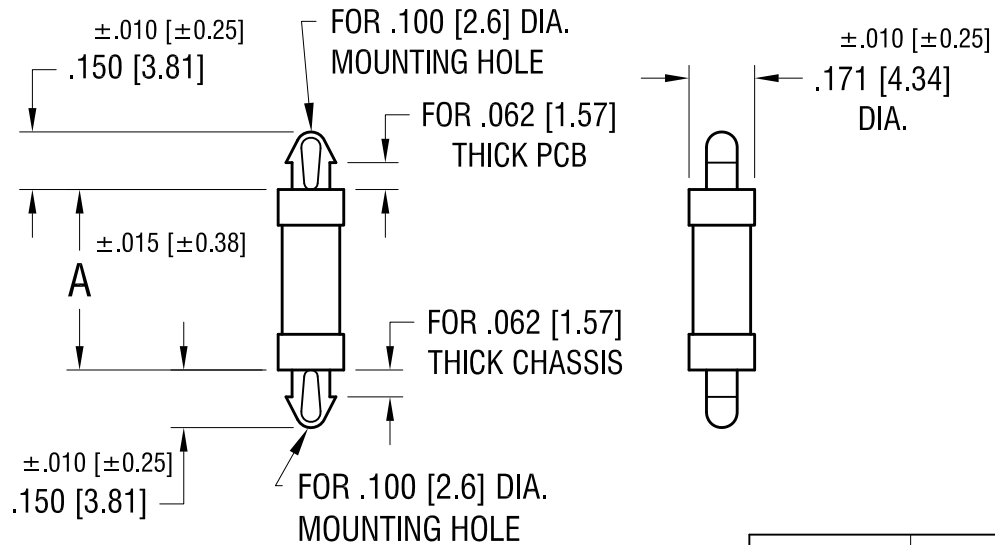


THIS DOCUMENT IS THE PROPERTY OF
KEYSTONE ELECTRONICS CORP. AND
SHALL NOT BE REPRODUCED, DISTRIBUTED
OR USED AS A BASIS FOR MANUFACTURE
WITHOUT PRIOR WRITTEN PERMISSION
FROM KEYSTONE ELECTRONICS CORP.



PART NO.	'A' DIM.
8888	.125 [3.18]
8889	.187 [4.75]
8890	.250 [6.35]
8891	.375 [9.52]
8892	.500 [12.70]
8893	.625 [15.87]

KEYSTONE ELECTRONICS CORP.			
ASTORIA, N.Y. 11105-2017			
PART NAME		PC LOCK-IN SUPPORT	
MATERIAL		NYLON 6/6, UL 94V-0	
FINISH	-	DRN BY	BOONE
		DATE	8.29.06
		APP'D	LN
		SCALE	2X
TOLERANCES	INCH [MM]	CODE	DWG NO.
DECIMAL	± .005 [± 0.15]	C/M	8888-8893
ANGULAR	± 1°		
UNLESS OTHERWISE SPECIFIED			

1.10.08	CHANGE AS PER ECN 08-042	A
DATE	DESCRIPTION	REV.