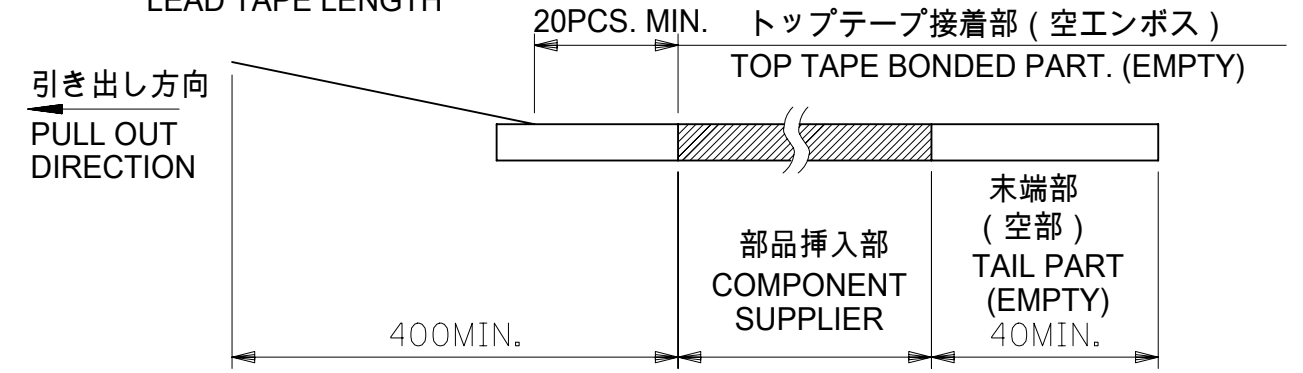


注記 NOTES

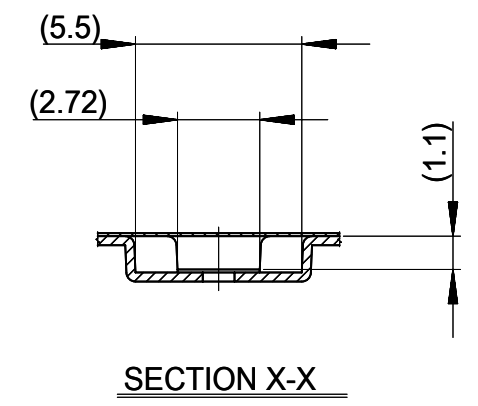
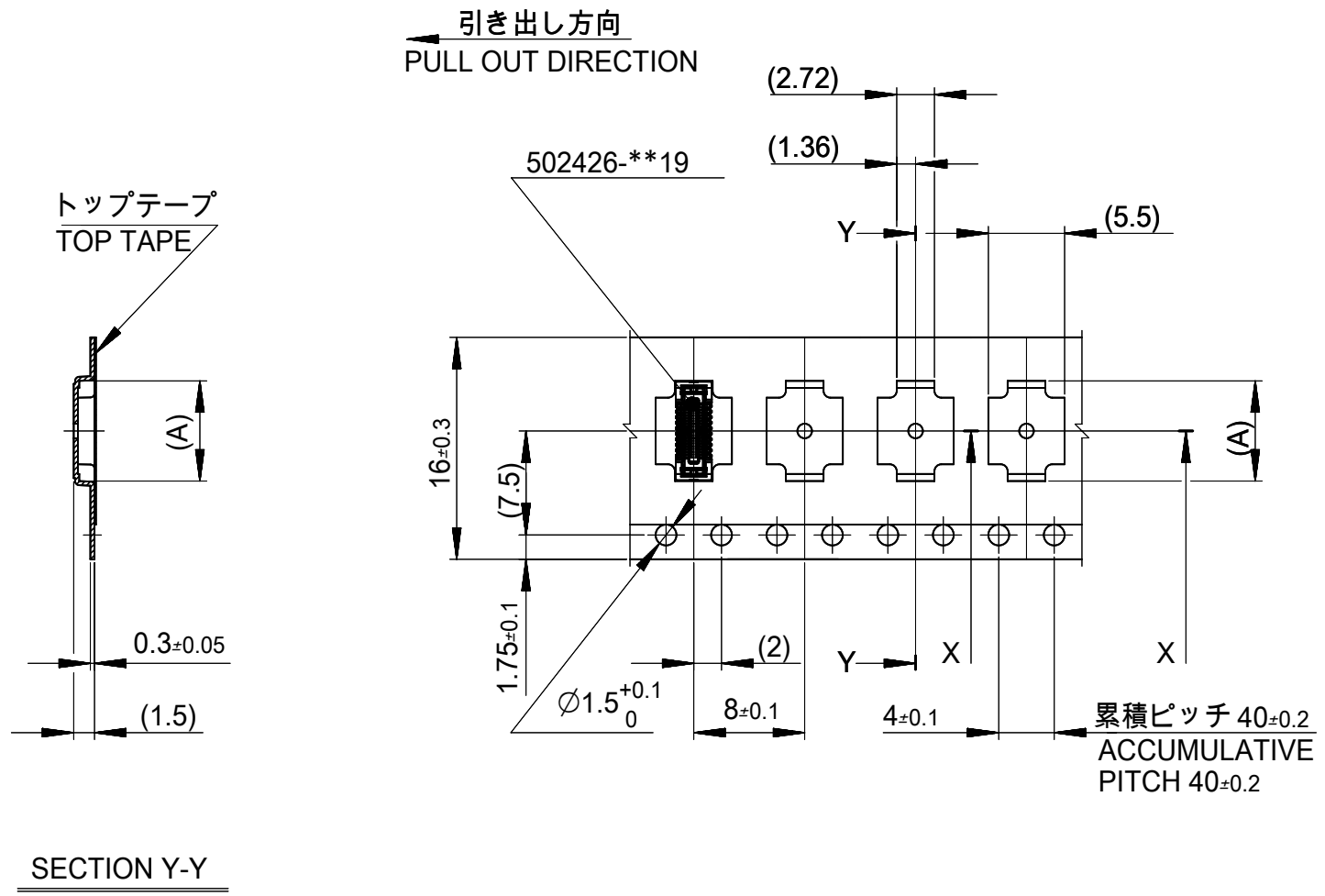
- 製品詳細寸法については製品単体図面を参照下さい。
DETAIL DIMENSIONS, SEE PRODUCT DRAWING.
- 梱包数量 : 7000個 / リール
NUMBER OF CONNECTORS : 7000PCS/REEL
- リードテープ長さ
LEAD TAPE LENGTH



- 材料 MATERIAL
 キャリアテープ(CARRIER TAPE) : ポリスチレン(POLYSTYRENE)
 トップテープ(TOP TAPE) : PET,OTHER
 リール(REEL):ポリスチレン(PS)<リサイクル材を含む>
 POLYSTYRENE(PS) <RECYCLE MATERIAL CONTAINED >
- ELV 及び RoHS適合品
ELV AND RoHS COMPLIANT

MODEL NO. 502426-**12

| | | | | | |
|---|-------|------------------------------|---------|----------------------------|--------------|
| THIS DRAWING CONTAINS INFORMATION THAT IS PROPRIETARY TO MOLEX ELECTRONIC TECHNOLOGIES, LLC AND SHOULD NOT BE USED WITHOUT WRITTEN PERMISSION | | CURRENT REV DESC: REVISED | | molex | |
| DIMENSION UNITS | SCALE | | | | |
| mm | NTS | | | PRODUCT CUSTOMER DRAWING | |
| GENERAL TOLERANCES (UNLESS SPECIFIED) | | EC NO: 639809 | | DOCUMENT NUMBER | |
| ANGULAR TOL ± 3.0° | | DRWN: SCV 2020/06/24 | | 5024260000 | |
| 4 PLACES ± 0.03 | | CHK'D: HSHIMOYAMA 2020/07/02 | | DOC TYPE DOC PART REVISION | |
| 3 PLACES ± 0.03 | | APPR: SHOSHIKAWA 2020/07/02 | | PSD 000 C | |
| 2 PLACES ± 0.05 | | INITIAL REVISION: | | MATERIAL NUMBER | |
| 1 PLACE ± 0.1 | | DRWN: YSHIBATA 2016/12/13 | | CUSTOMER | |
| 0 PLACES ± 0.2 | | APPR: MSASAO 2017/01/19 | | GENERAL | |
| DRAFT WHERE APPLICABLE MUST REMAIN WITHIN DIMENSIONS | | THIRD ANGLE PROJECTION | DRAWING | SERIES | SHEET NUMBER |
| | | | A3-SIZE | 502426 | 1 OF 4 |



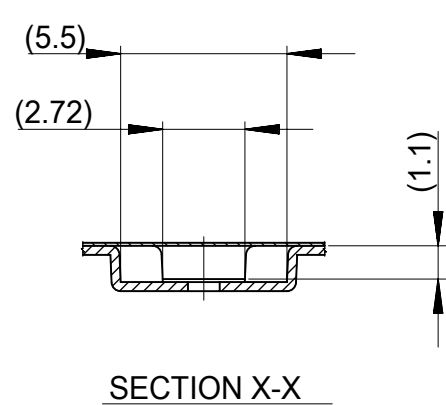
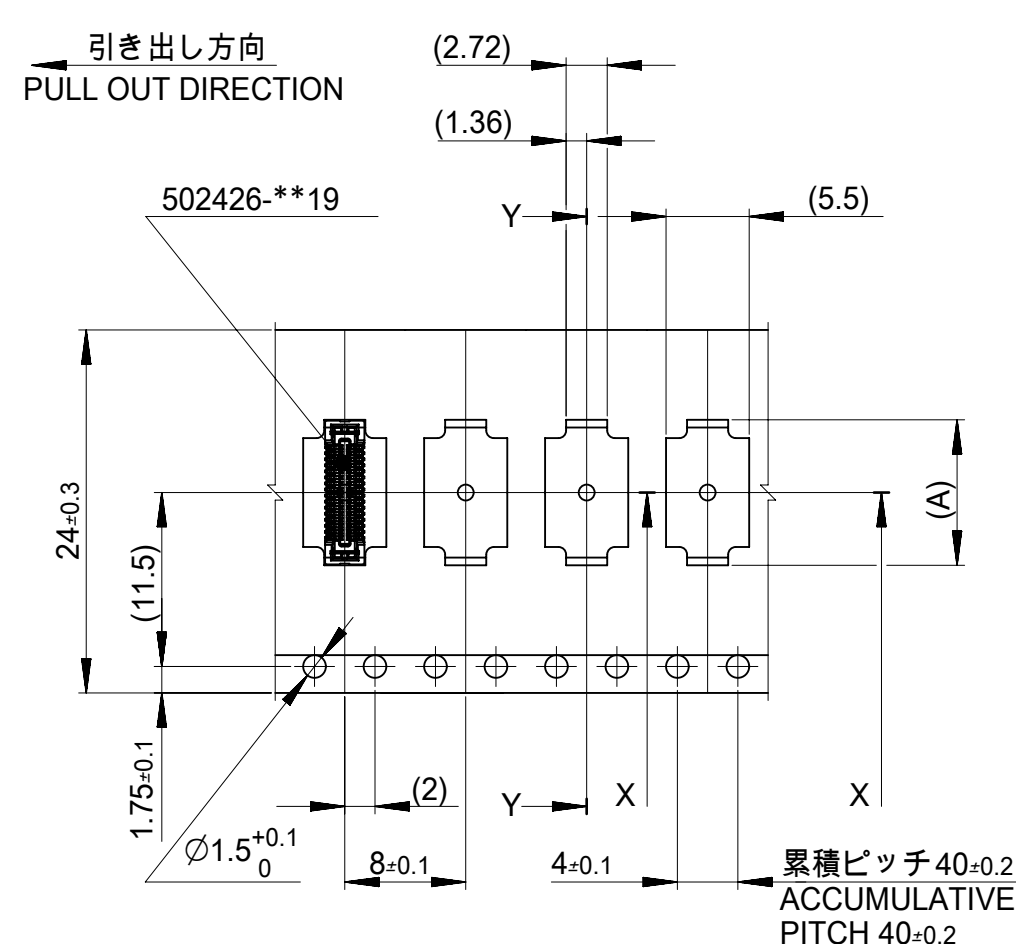
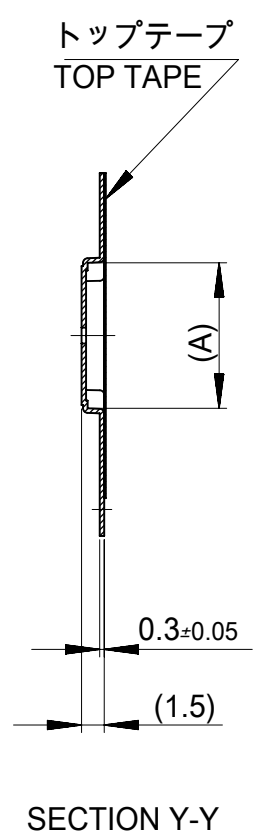
16mm 幅キャリアテープ
16mm WIDTH CARRIER TAPE

| | | | | | | |
|--------------------------------|------|------|------|-------------|--------------|------|
| 16 | 21.4 | 17.4 | 8.42 | 502426-2612 | 26 | |
| | | | 8.02 | 502426-2412 | 24 | |
| | | | 7.62 | 502426-2212 | 22 | |
| | | | 7.22 | 502426-2012 | 20 | |
| | | | 6.02 | 502426-1412 | 14 | |
| | | | 4.82 | 502426-0812 | 8 | |
| キャリアテープ幅 CARRIER TAPE WIDTH | | C | B | (A) | MATERIAL No. | CKT. |
| | | | | MODEL No. | 502426-**12 | |

CONNECTOR SERIES NO.:502426**19

THIS DRAWING CONTAINS INFORMATION THAT IS PROPRIETARY TO MOLEX ELECTRONIC TECHNOLOGIES, LLC AND SHOULD NOT BE USED WITHOUT WRITTEN PERMISSION

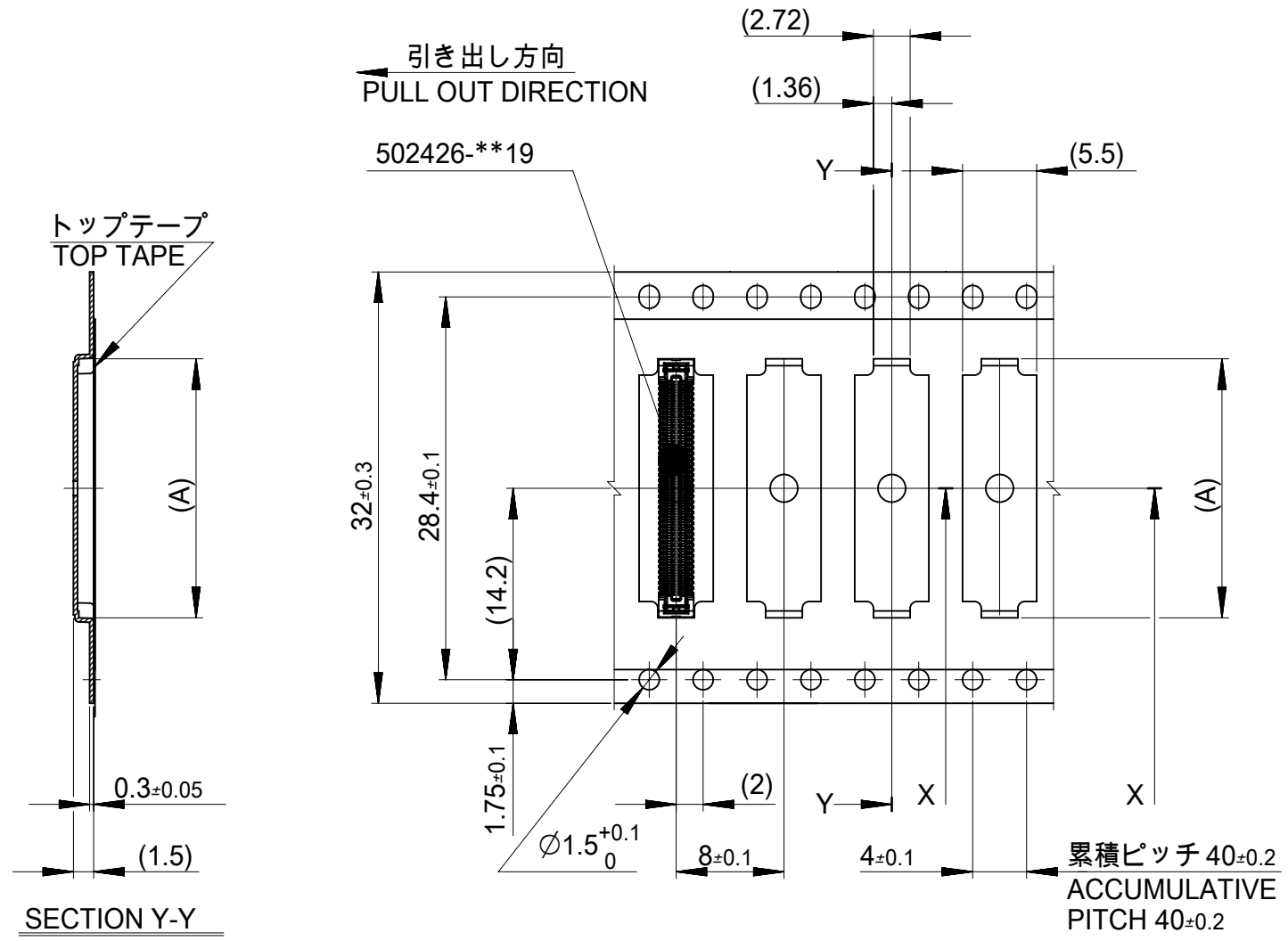
| | | | | | | | |
|--|--------|---------------------------|---------|---|-----------------|----------|--------------|
| DIMENSION UNITS | SCALE | CURRENT REV DESC: REVISED | | molex | | | |
| mm | NTS | | | | | | |
| GENERAL TOLERANCES (UNLESS SPECIFIED) | | EC NO: 639809 | | 0.4 B TO B CONN. HGT=1.0 REC ASSY EMBSTP PKG | | | |
| ANGULAR TOL | ± 3.0° | DRWN: SCV | | 2020/06/24 | | | |
| 4 PLACES | ± 0.03 | CHK'D: HSHIMUYAMA | | 2020/07/02 | | | |
| 3 PLACES | ± 0.03 | APPR: SHOSHIKAWA | | 2020/07/02 | | | |
| 2 PLACES | ± 0.05 | INITIAL REVISION: | | DOCUMENT NUMBER | | | |
| 1 PLACE | ± 0.1 | DRWN: YSHIBATA | | 5024260000 | | DOC TYPE | |
| 0 PLACES | ± 0.2 | APPR: MSASAO | | 2016/12/13 | | DOC PART | |
| DRAFT WHERE APPLICABLE MUST REMAIN WITHIN DIMENSIONS | | THIRD ANGLE PROJECTION | DRAWING | SERIES | MATERIAL NUMBER | CUSTOMER | REVISION |
| | | | A3-SIZE | 502426 | SEE TABLE | GENERAL | 000 C |
| | | | | | | | SHEET NUMBER |
| | | | | | | | 2 OF 4 |



| | | | | | |
|--------------------------------|------|------|-------|--------------|--------------|
| 24 | 29.4 | 25.4 | 16.02 | 502426-6412 | 64 |
| | | | 15.22 | 502426-6012 | 60 |
| | | | 13.22 | 502426-5012 | 50 |
| | | | 12.02 | 502426-4412 | 44 |
| | | | 11.22 | 502426-4012 | 40 |
| | | | 10.02 | 502426-3412 | 34 |
| | | | 9.62 | 502426-3212 | 32 |
| | | | 9.22 | 502426-3012 | 30 |
| キャリアテープ幅 CARRIER TAPE WIDTH | C | B | (A) | MATERIAL No. | CKT. |
| | | | | MODEL No. | 502426-**-12 |

CONNECTOR SERIES NO.:502426-**-19

| | | | | | |
|---|-------|-------------------------------|---------|---|-----------------|
| THIS DRAWING CONTAINS INFORMATION THAT IS PROPRIETARY TO MOLEX ELECTRONIC TECHNOLOGIES, LLC AND SHOULD NOT BE USED WITHOUT WRITTEN PERMISSION | | CURRENT REV DESC: REVISED | | molex | |
| DIMENSION UNITS | SCALE | | | | |
| mm | NTS | | | 0.4 B TO B CONN. HGT=1.0 REC ASSY EMBSTP PKG | |
| GENERAL TOLERANCES (UNLESS SPECIFIED) | | EC NO: 639809 | | PRODUCT CUSTOMER DRAWING | |
| ANGULAR TOL ± 3.0° | | DRWN: SCV 2020/06/24 | | DOCUMENT NUMBER | |
| 4 PLACES ± 0.03 | | CHK'D: HSHIMOMYAMA 2020/07/02 | | 5024260000 | |
| 3 PLACES ± 0.03 | | APPR: SHOSHIKAWA 2020/07/02 | | DOC TYPE | |
| 2 PLACES ± 0.05 | | INITIAL REVISION: | | DOC PART | |
| 1 PLACE ± 0.1 | | DRWN: YSHIBATA 2016/12/13 | | 000 | |
| 0 PLACES ± 0.2 | | APPR: MSASAO 2017/01/19 | | C | |
| DRAFT WHERE APPLICABLE MUST REMAIN WITHIN DIMENSIONS | | THIRD ANGLE PROJECTION | DRAWING | SERIES | MATERIAL NUMBER |
| | | | A3-SIZE | 502426 | SEE TABLE |
| | | | | | CUSTOMER |
| | | | | | GENERAL |
| | | | | | SHEET NUMBER |
| | | | | | 3 OF 4 |



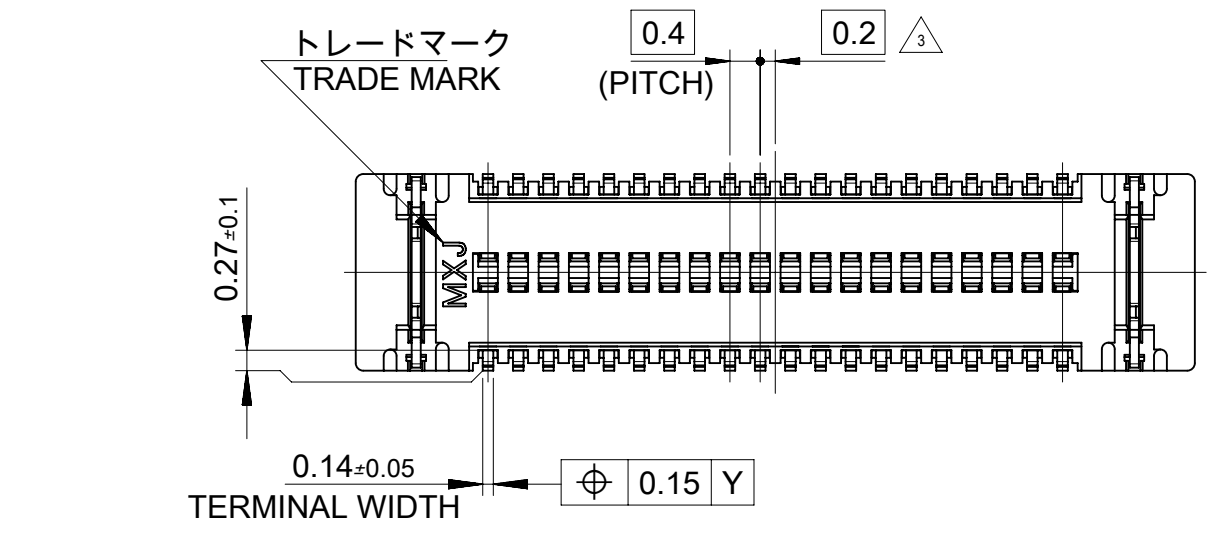
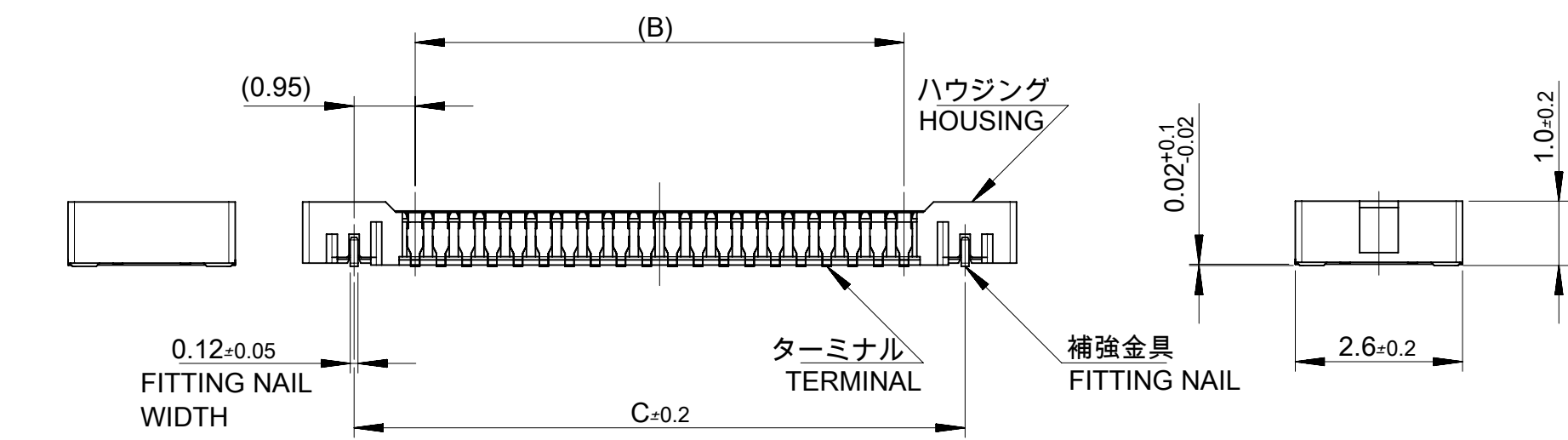
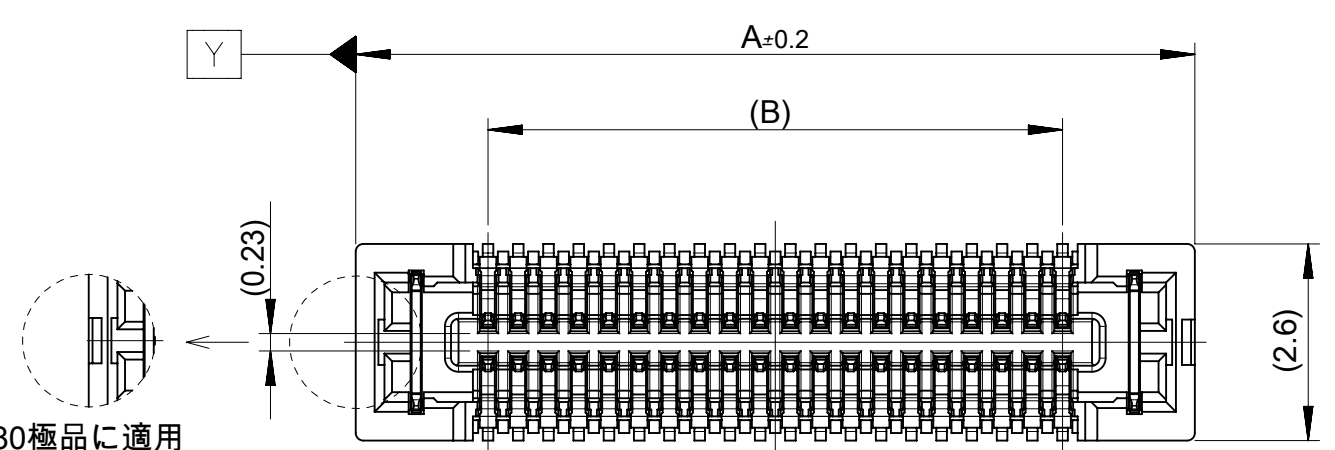
32mm 幅キャリアテープ
32mm WIDTH CARRIER TAPE

| | | | | | |
|--------------------------------|------|------|-------|--------------|-------------|
| 32 | 37.4 | 33.4 | 19.22 | 502426-8012 | 80 |
| キャリアテープ幅 CARRIER TAPE WIDTH | C | B | 17.22 | 502426-7012 | 70 |
| | | | (A) | MATERIAL No. | CKT. |
| | | | | MODEL No. | 502426-**12 |

CONNECTOR SERIES NO. :502426-**19

THIS DRAWING CONTAINS INFORMATION THAT IS PROPRIETARY TO MOLEX ELECTRONIC TECHNOLOGIES, LLC AND SHOULD NOT BE USED WITHOUT WRITTEN PERMISSION

| | | | | | |
|--|--------------|------------------------------|--|--------------------------|--|
| DIMENSION UNITS mm | SCALE NTS | CURRENT REV DESC: REVISED | | molex | |
| GENERAL TOLERANCES (UNLESS SPECIFIED) | | EC NO: 639809 | | | |
| ANGULAR TOL | ± 3.0 ° | DRWN: SCV 2020/06/24 | | PRODUCT CUSTOMER DRAWING | |
| 4 PLACES | ± 0.03 | CHK'D: HSHIMOYAMA 2020/07/02 | | DOCUMENT NUMBER | |
| 3 PLACES | ± 0.03 | APPR: SHOSHIKAWA 2020/07/02 | | 5024260000 | |
| 2 PLACES | ± 0.05 | INITIAL REVISION: | | DOC TYPE | |
| 1 PLACE | ± 0.1 | DRWN: YSHIBATA 2016/12/13 | | PSD | |
| 0 PLACES | ± 0.2 | APPR: MSASAO 2017/01/19 | | DOC PART | |
| DRAFT WHERE APPLICABLE MUST REMAIN WITHIN DIMENSIONS | | THIRD ANGLE PROJECTION | | REVISION | |
| | | DRAWING A3-SIZE | | C | |
| | | SERIES 502426 | | SHEET NUMBER 4 OF 4 | |
| | | MATERIAL NUMBER SEE TABLE | | CUSTOMER GENERAL | |



| | | | | |
|------|------|------|--------------------------------------|----------------|
| 17.5 | 15.6 | 19.1 | 502426-8012 | 80 |
| 15.5 | 13.6 | 17.1 | 502426-7012 | 70 |
| 14.3 | 12.4 | 15.9 | 502426-6412 | 64 |
| 13.5 | 11.6 | 15.1 | 502426-6012 | 60 |
| 11.5 | 9.6 | 13.1 | 502426-5012 | 50 |
| 10.3 | 8.4 | 11.9 | 502426-4412 | 44 |
| 9.5 | 7.6 | 11.1 | 502426-4012 | 40 |
| 8.3 | 6.4 | 9.9 | 502426-3412 | 34 |
| 7.9 | 6.0 | 9.5 | 502426-3212 | 32 |
| 7.5 | 5.6 | 9.1 | 502426-3012 | 30 |
| 6.7 | 4.8 | 8.3 | 502426-2612 | 26 |
| 6.3 | 4.4 | 7.9 | 502426-2412 | 24 |
| 5.9 | 4.0 | 7.5 | 502426-2212 | 22 |
| 5.5 | 3.6 | 7.1 | 502426-2012 | 20 |
| 4.3 | 2.4 | 5.9 | 502426-1412 | 14 |
| 3.1 | 1.2 | 4.7 | 502426-0812 | 8 |
| C | B | A | EMBOSSED PACKAGE オーダー番号 ORDER No. | 極数 CIRCUITS |

CONNECTOR SERIES No. 502426-**19

| | | | | | |
|---|-------|------------------------------|---------|----------------------------|--------------|
| THIS DRAWING CONTAINS INFORMATION THAT IS PROPRIETARY TO MOLEX ELECTRONIC TECHNOLOGIES, LLC AND SHOULD NOT BE USED WITHOUT WRITTEN PERMISSION | | CURRENT REV DESC: REVISED | | molex | |
| DIMENSION UNITS | SCALE | | | | |
| mm | 10:1 | | | PRODUCT CUSTOMER DRAWING | |
| GENERAL TOLERANCES (UNLESS SPECIFIED) | | EC NO: 639809 | | DOCUMENT NUMBER | |
| ANGULAR TOL ± 3.0° | | DRWN: SCV 2020/06/24 | | 5024261000 | |
| 4 PLACES ± 0.03 | | CHK'D: HSHIMUYAMA 2020/07/02 | | DOC TYPE DOC PART REVISION | |
| 3 PLACES ± 0.03 | | APPR: SHOSHIKAWA 2020/07/02 | | PSD 000 C | |
| 2 PLACES ± 0.05 | | INITIAL REVISION: | | MATERIAL NUMBER | |
| 1 PLACE ± 0.1 | | DRWN: YSHIBATA 2016/12/13 | | CUSTOMER | |
| 0 PLACES ± 0.2 | | APPR: MSASAO 2017/01/19 | | GENERAL | |
| DRAFT WHERE APPLICABLE MUST REMAIN WITHIN DIMENSIONS | | THIRD ANGLE PROJECTION | DRAWING | SERIES | SHEET NUMBER |
| | | | A3-SIZE | 502426 | 1 OF 2 |

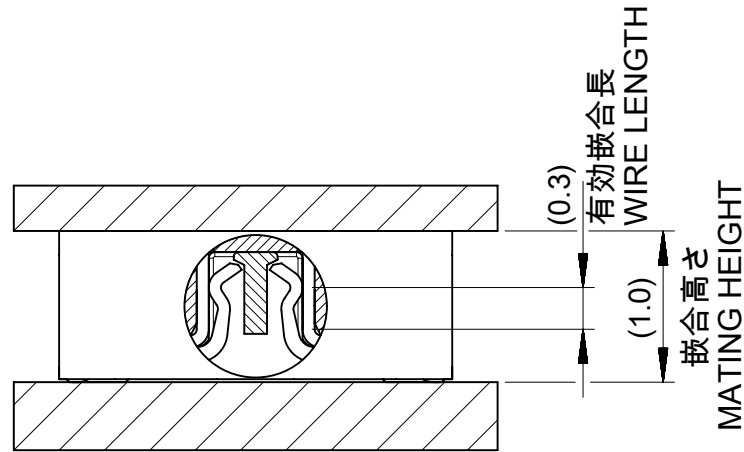
注記 NOTE

1. 使用材料 MATERIAL
 ハウジング：液晶ポリマー (LCP) ガラス充填 UL94V-0 (黒)
 HOUSING: LIQUID CRYSTAL POLYMER (GLASS FILLED) UL94V-0 (COLOR: BLACK)
 ターミナル：りん青銅 (t=0.1)
 TERMINAL : PHOSPHOR BRONZE (t=0.1)
 金具：りん青銅 (t=0.12)
 FITTING NAIL : PHOSPHOR BRONZE (t=0.12)

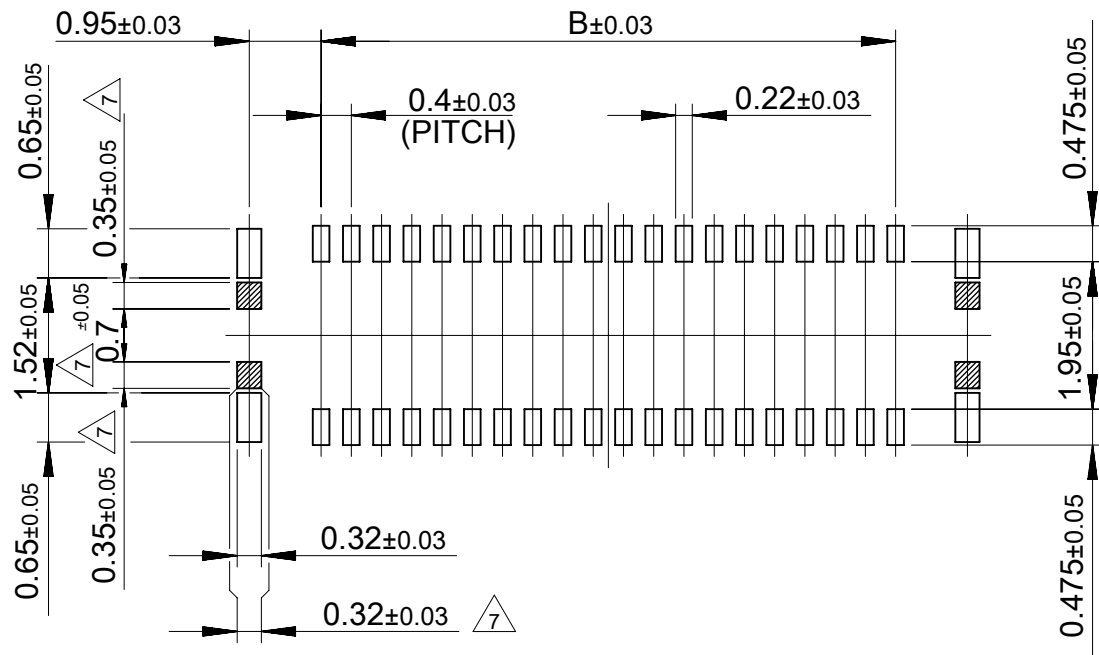
2. メッキ仕様 PLATING
 ターミナル TERMINAL
 コンタクト部：金メッキ0.1マイクロメートル以上
 CONTACT AREA : GOLD 0.1 MICROMETER MINIMUM.
 テール部：金メッキ0.05マイクロメートル以上
 TAIL AREA : GOLD 0.05 MICROMETER MINIMUM.
 下地メッキ：ニッケルメッキ 1.0マイクロメートル以上
 UNDER PLATING : NICKEL 1.0 MICROMETER MINIMUM
 ※コンタクト部とテール部はニッケルメッキによって分断されている金メッキです。
 DIVIDE INTO PARTS THE GOLD PLATING OF THE CONTACT AND THE TAIL PART BY THE NICKEL PLATING.

- 金具 FITTING NAIL
 フラッシュ金メッキ
 FLASH Au PLATING
 下地メッキ：ニッケルメッキ 1.0マイクロメートル以上
 UNDER PLATING : NICKEL 1.0 MICROMETER MINIMUM

- △₃ (全極数 / 2) = 偶数の場合に適用。
 APPLY FOR (CIRCUIT/2)=EVEN.
4. 嵌合相手：502430シリーズ
 MATE WITH : 502430 SERIES.
 5. テール平坦度は、0.08以下
 TAIL COPLANARITY TO BE 0.08 MAXIMUM.
 テール及び金具の平坦度は、0.1以下
 TAIL AND FITTING NAIL COPLANARITY TO BE 0.1 MAXIMUM.
 6. ELV 及び RoHS 適合品
 ELV AND RoHS COMPLIANT.
- △₇ 斜線部はパターン書込み禁止範囲と半田禁止範囲を示す。
 ただし、斜線部に補強金具と同一配線を配置する場合はレジストを施し、この部分に半田は無きこと。
 NO PATTERN CIRCUIT AND NO SOLDER ALLOWED IN THE SHADED AREA.
 HOWEVER, IF NEEDED TO ADD A TRACE OF THE SAME CIRCUIT, PUT THE SOLDER-RESIST, YET NO SOLDER ALLOWED IN THE AREA.



嵌合断面図 (参考)
 MATED DRAWING (REFERENCE)



P.C. BOARD PATTERN LAYOUT
 (REFERENCE)

| | | | | | |
|---|--------|------------------------------|---------|-----------------|-----------------|
| THIS DRAWING CONTAINS INFORMATION THAT IS PROPRIETARY TO MOLEX ELECTRONIC TECHNOLOGIES, LLC AND SHOULD NOT BE USED WITHOUT WRITTEN PERMISSION | | CURRENT REV DESC: REVISED | | molex | |
| DIMENSION UNITS | SCALE | | | | |
| mm | 10:1 | | | | |
| GENERAL TOLERANCES (UNLESS SPECIFIED) | | EC NO: 639809 | | DOCUMENT NUMBER | |
| ANGULAR TOL | ± 3.0° | DRWN: SCV 2020/06/24 | | 5024261000 | |
| 4 PLACES | ± 0.03 | CHK'D: HSHIMOYAMA 2020/07/02 | | DOC TYPE | DOC PART |
| 3 PLACES | ± 0.03 | APPR: SHOSHIKAWA 2020/07/02 | | PSD | 000 |
| 2 PLACES | ± 0.05 | INITIAL REVISION: | | REVISION | C |
| 1 PLACE | ± 0.1 | DRWN: YSHIBATA 2016/12/13 | | | |
| 0 PLACES | ± 0.2 | APPR: MSASAO 2017/01/19 | | | |
| DRAFT WHERE APPLICABLE MUST REMAIN WITHIN DIMENSIONS | | THIRD ANGLE PROJECTION | DRAWING | SERIES | MATERIAL NUMBER |
| | | | A3-SIZE | 502426 | SEE SHEET 1 |
| | | | | CUSTOMER | SHEET NUMBER |
| | | | | GENERAL | 2 OF 2 |