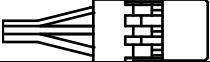
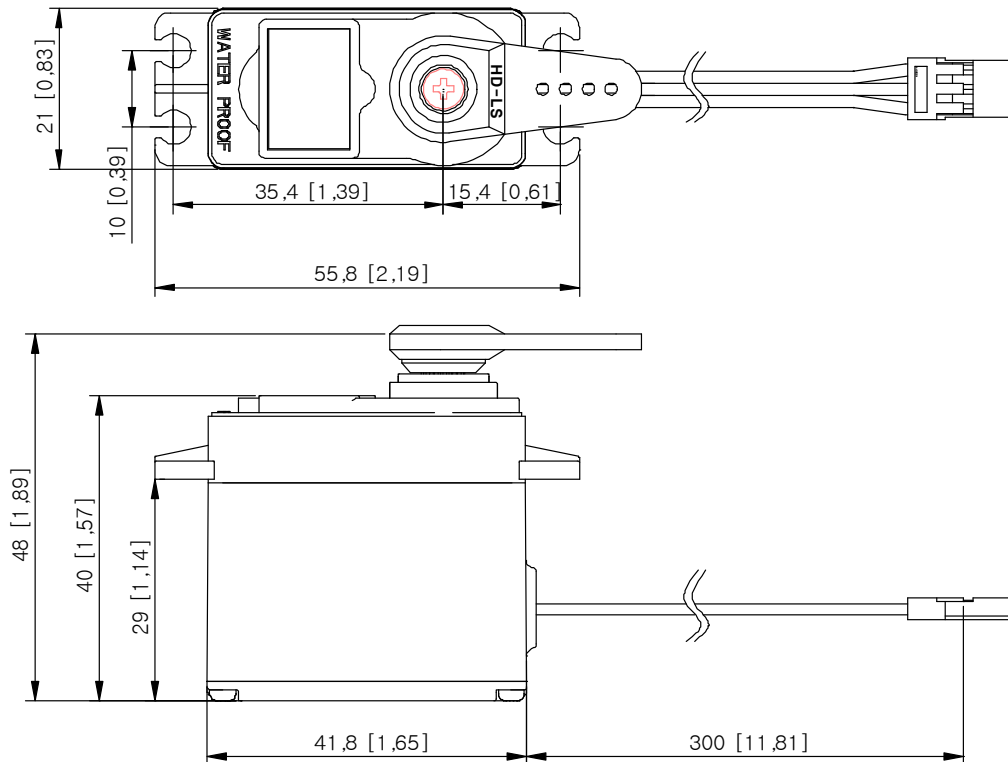


HS-646WP General Specification.



ULTRA TORQUE WATER PROOF SERVO

Control system	PWM		-
Position sensor type	Contact Analog Potentiometer		-
Operating voltage range	6.0 ~ 7.4 V		-
Motor type	Cored Carbon brush		-
Voltage	-	6.0V	7.4V
No load speed	-	0.2 sec/60°	0.17sec/60°
Stall torque	-	9.6 kgf·cm(133.32oz-in)	11.6 kgf·cm(161.09oz-in)
Standing current	-	8.0mA	8.0mA
No load running current	-	400mA	600mA
Stall current	-	2,000mA	2,200mA
Dead band width	-	4usec	4usec
Operating travel	40°±5°/One side pulse traveling 400usec		-
Operating temperature range	-20°C ~ +60°C (-4°F ~ +140°F)		-
Vibrations at no load	-		-
Storage temperature range	-30°C ~ +80°C (-31°F ~ +176°F)		-
Connector wire length	300mm(11.81inch)		
Connector wire gauge	22AWG		
Dimensions	41.8 mm x 21.0 mm x 40.0 mm (1.65inch x 0.83inch x 1.57inch)		-
Weight	60.0 g(2.12oz)		-
Ball bearing	Dual Ball Bearing		-
Case material	Engineering Plastic		-
Gear material	1 Metal + Plastic & 3 Metal		-
Gear train backlash	Max 0.5°		-
Horn gear spline	24T(Ø6)		-
IP rate	IP67		-
Servo Amplifier type	Analog Contorller		-
Features			-
Applications			-



1:1 scale (unit : mm)

