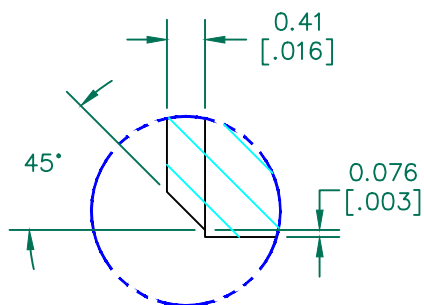


R 1.17
[.046]

R 0.952
[.0375]
2 PLACES

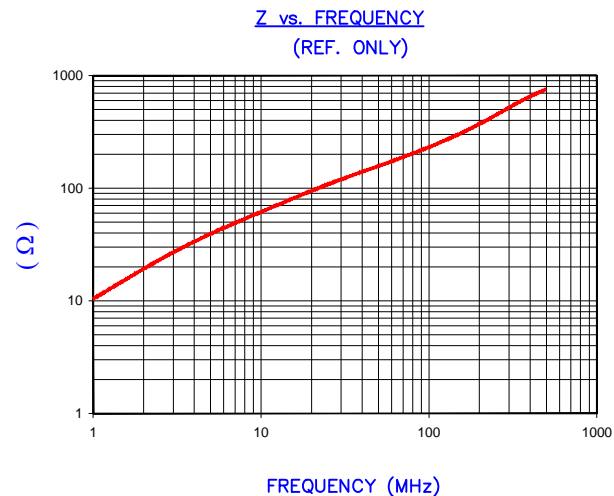
DETAIL A



DETAIL A
SCALE 4:1

RoHS

IMPEDANCE (Z)			
Frequency	25 MHz	100 MHz	300 MHz
Nominal (REF)	110 Ω	230 Ω	520 Ω
Minimum	- Ω	184 Ω	- Ω



AGILENT E4991A Impedance/Material Analyzer
HP 16092A Test Fixture, REF # 2977

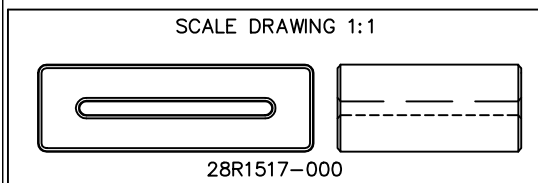
FERRITE CORE DIMENSIONS (SPEC) mm/Inches:

A	38.10 [1.500]	+	0.76 [.030]
B	26.67 [1.050]	+	0.76 [.030]
C	25.40 [1.000]	+	0.76 [.030]
D	12.07 [.475]	+	0.51 [.020]
E	1.91 [.075]	+	0.51 [.020]

WEIGHT/1000 51.18 kgs [112.84 Lbs]

NOTES: UNLESS OTHERWISE SPECIFIED

1. COSMETIC SPECIFICATION REFER TO WI-QA-038.



DIMENSIONS ARE IN mm[INCHES].				This print is the property of Laird Tech. and is loaned in confidence subject to return upon request and with the understanding that no copies shall be made without the written consent of Laird Tech. All rights to design or invention are reserved.			
REV	DESCRIPTION	DATE	INT				
J	UPDATE COMPANY LOGO	06/19/15	QIU	PROJECT/PART NUMBER: 28R1517-000 DATE: 03/09/92 SCALE: 2 : 1 CAD # 28R1517-000-J TOOL # R1517		REV	J
H	UPDATE MIN Z SPECS & COMPANY LOGO	07/27/07	TMB			DRAWN BY:	DJB
G	UPDATE MIN Z SPEC @100mhz ADD REF #	02/09/04	JRK			MATERIAL:	FERRITE
F	UPDATE FORMAT, UPDATE Z SPECS	02/26/03	JRK				
E	UPDATE PRINT FOR ELECTRONIC DATABASE	01/03/01	JAJ				
D	UPDATED Z SPECS	05/07/96	BAC				
C	UPDATED P/N FOR NEW CATALOG	11/09/95	JBE				