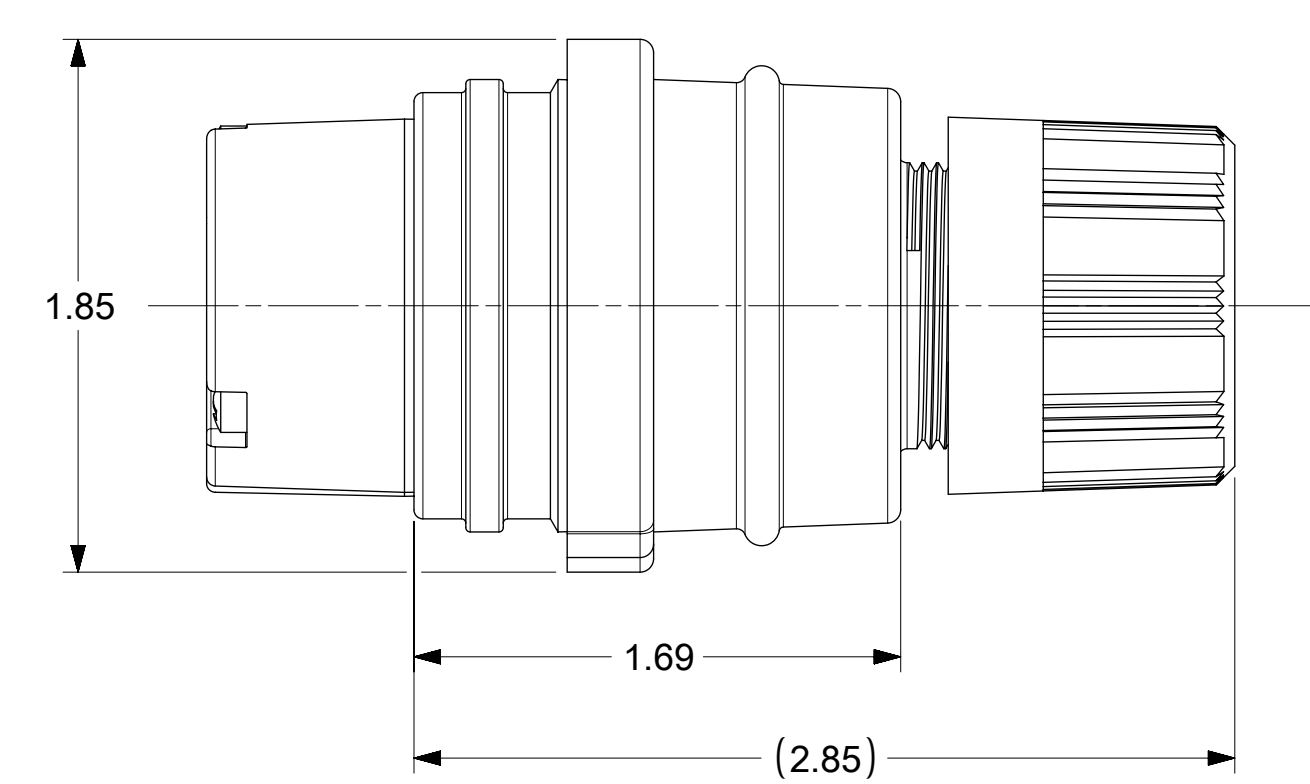
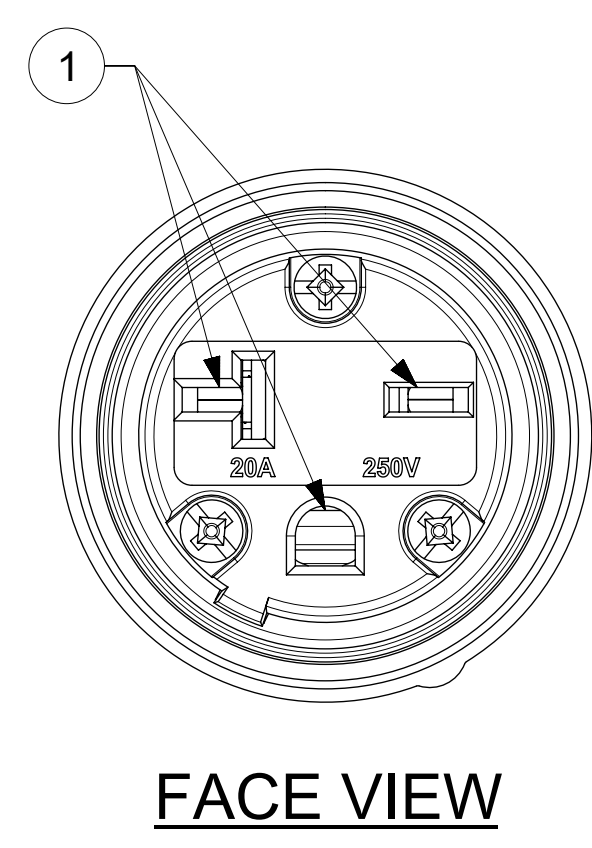
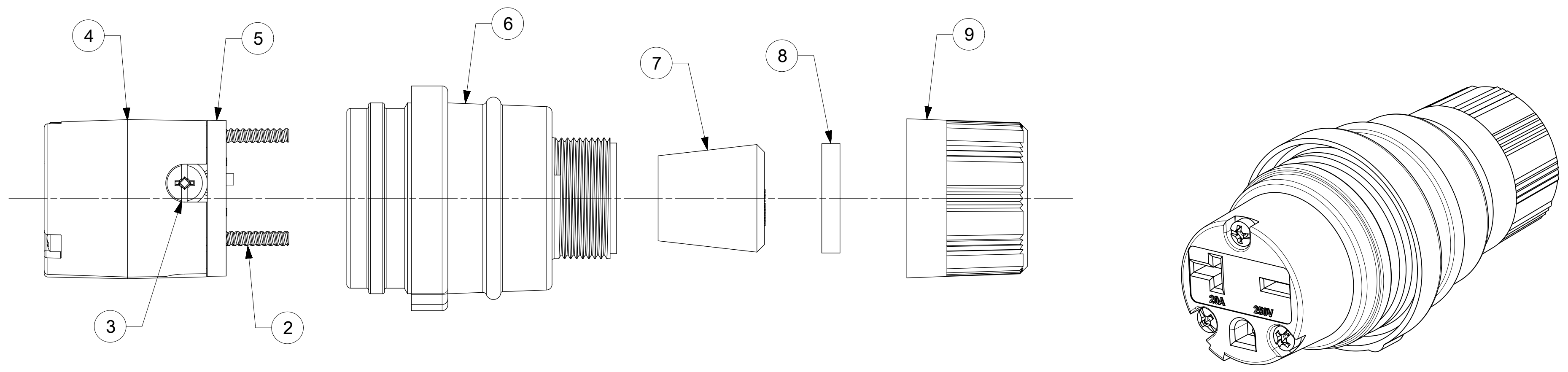


ORDER NO.	WOODHEAD NO.	COLOR
130146-0202	15W48MB-P	YELLOW



NOTES:
 1. SEE INSTRUCTION SHEET NUMBER 1301414770 FOR PRODUCT SPECIFICATION.
 2. CABLE RANGE FROM 0.375" TO 0.625"
 PRE-RELEASE
 RELEASE
 USE ONLY

ITEM NO.	DESCRIPTIONS	MATERIAL	QTY.
1	BLADES	BRASS	3
2	RETAINING SCREWS	STAINLESS STEEL	3
3	TERMINAL SCREWS	BRASS, ZINC PLATED	3
4	INSERT	NYLON	1
5	TERMINAL COVER	POLYCARBONATE	1
6	HOUSING	RUBBER WITH NYLON THREAD	1
7	GROMMETS	RUBBER	5
8	FRICTION RING	NYLON	1
9	COMPRESSION NUT	NYLON	1

SYMBOLS		THIS DRAWING CONTAINS INFORMATION THAT IS PROPRIETARY TO MOLEX ELECTRONIC TECHNOLOGIES, LLC AND SHOULD NOT BE USED WITHOUT WRITTEN PERMISSION		CURRENT REV DESC: RELEASED	
▽ = 0	INCH	SCALE	NTS	molex WATERTITE CONNECTOR, 6-20R PRODUCT CUSTOMER DRAWING EC NO: 613683 DRWN: ABABU01 2018/11/13 CHK'D: DNGUYEN62 2019/03/15 APPR: INITIAL REVISION: DRWN: ABABU01 2018/11/13 APPR:	
▽ = 0	GENERAL TOLERANCES (UNLESS SPECIFIED)				
▽ = 0	ANGULAR TOL ± 0.5°				
▽ = 0	4 PLACES ±				
▽ = 0	3 PLACES ± 0.005			DOCUMENT NUMBER 1301460202	
▽ = 0	2 PLACES ± 0.01			DOC TYPE DOC PART REVISION PSD 000 1	
▽ = 0	1 PLACE ± 0.02			MATERIAL NUMBER CUSTOMER SHEET NUMBER SEE TABLE GENERAL MARKET 1 OF 1	
▽ = 0	0 PLACES ±				
▽ = 0	DRAFT WHERE APPLICABLE MUST REMAIN WITHIN DIMENSIONS		THIRD ANGLE PROJECTION	DRAWING	SERIES
▽ = 0				C-SIZE	130146