

6 5 4 3 2 1

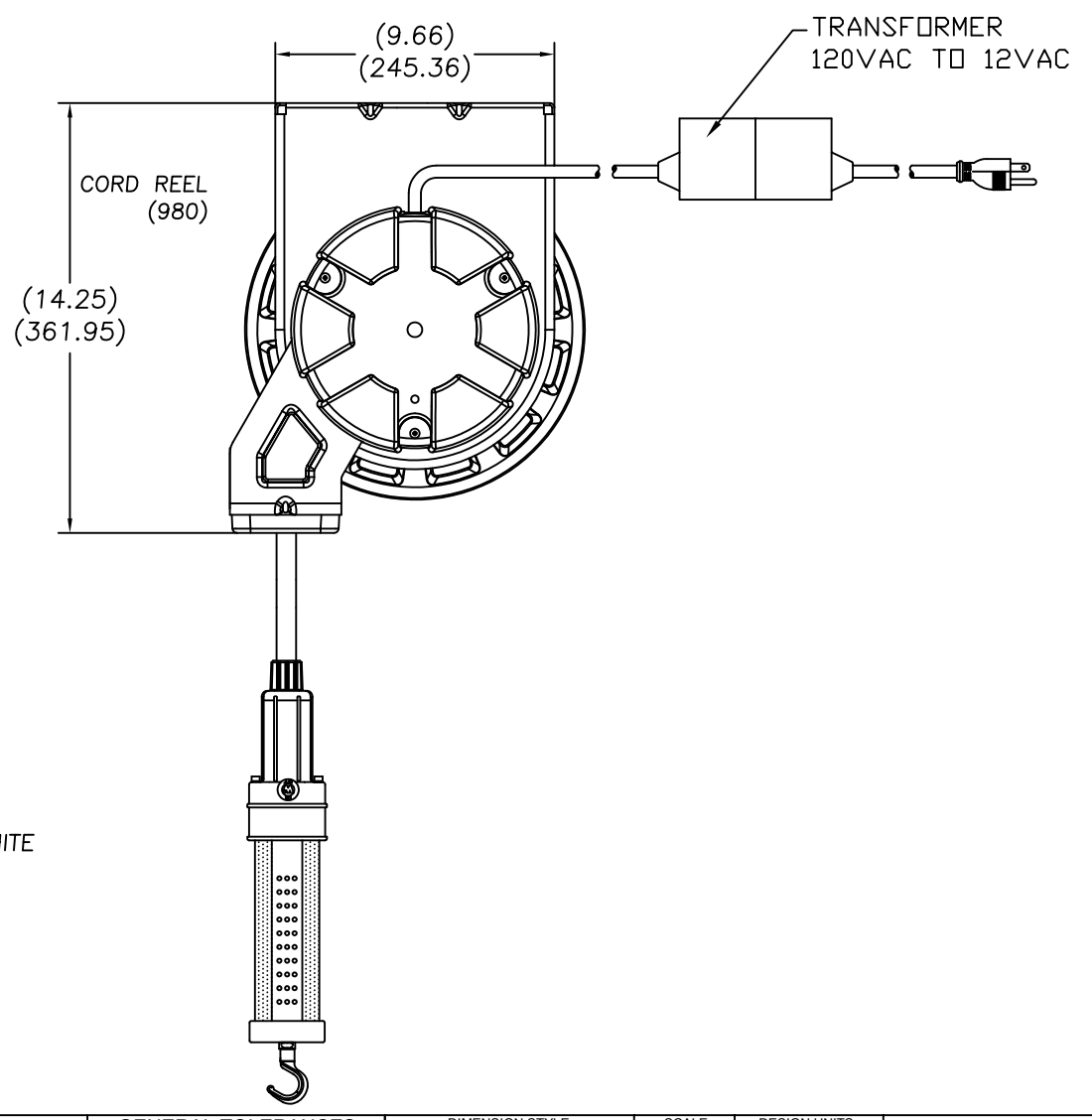
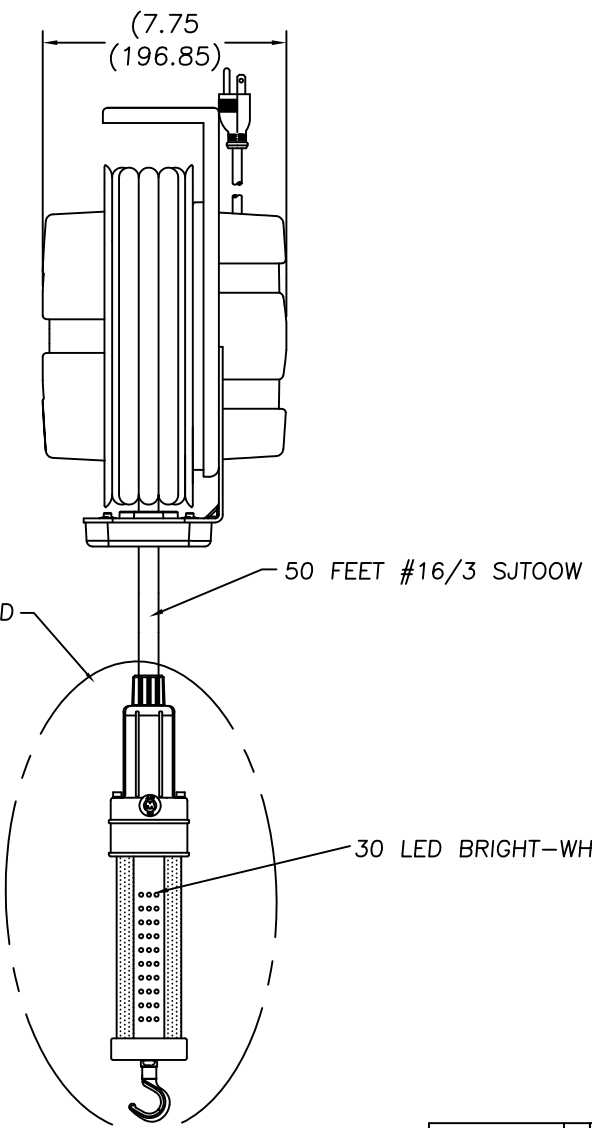
E

D

C

B

A



RELEASE DRAWING EC NO: WNA2010-0697 DRWN: TVICKERS 2010/05/10 CHKD: DWILLIA APPR: DTITUS 2010/06/15	DESCRIPTION REV	QUALITY SYMBOLS ▽=0 ▽C=0	GENERAL TOLERANCES (UNLESS SPECIFIED)		DIMENSION STYLE IN/MM		SCALE NTS	DESIGN UNITS INCH	THIRD ANGLE PROJECTION				
				mm	INCH	DRAWN BY	DATE	TITLE					
				4 PLACES	±---	±---	TVICKERS	2010/05/10	980 CORD REEL W/50' #16/3 SJTOOW 1083-3LED HAND LAMP				
				3 PLACES	±---	±.005	CHECKED BY	DATE					
				2 PLACES	±0.13	±.010	D.WILLIA	2010/05/10	MOLEX INCORPORATED				
		1 PLACE	±0.25	±.020	APPROVED BY	DATE							
		ANGULAR ±.5°		MATERIAL NO.		DOCUMENT NO.		SHEET NO.					
		DRAFT WHERE APPLICABLE MUST REMAIN WITHIN DIMENSIONS		1300910198		SD-130091-003		1 OF 1					
				SIZE A	THIS DRAWING CONTAINS INFORMATION THAT IS PROPRIETARY TO MOLEX INCORPORATED AND SHOULD NOT BE USED WITHOUT WRITTEN PERMISSION								

6 5 4 3 2 1