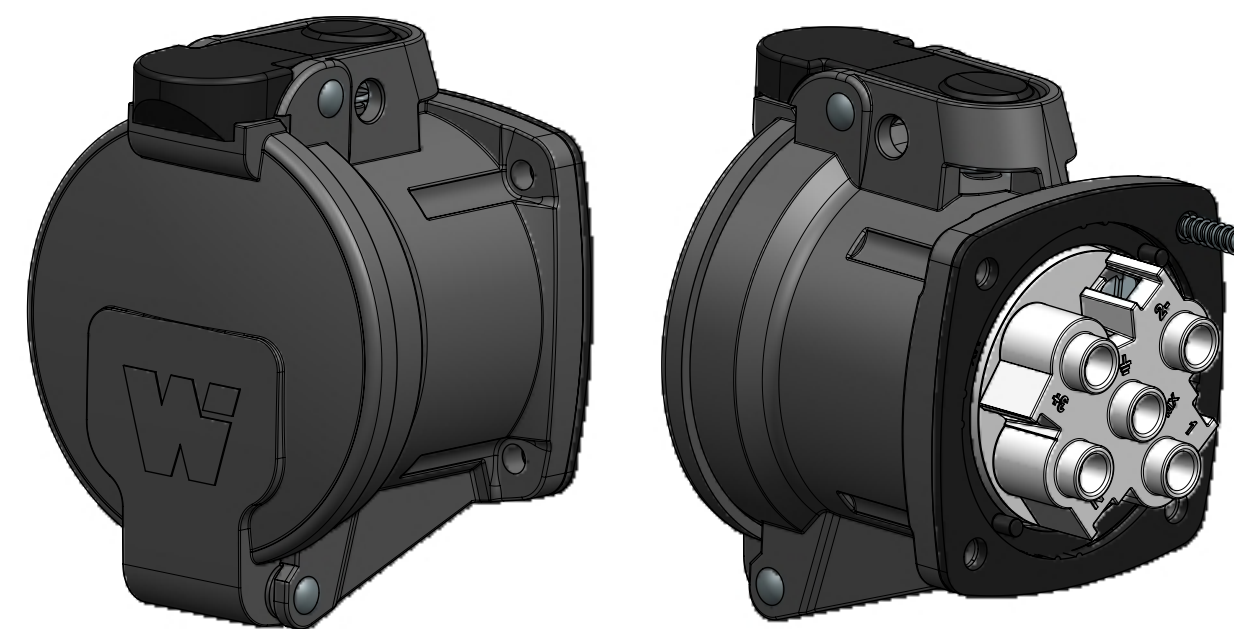
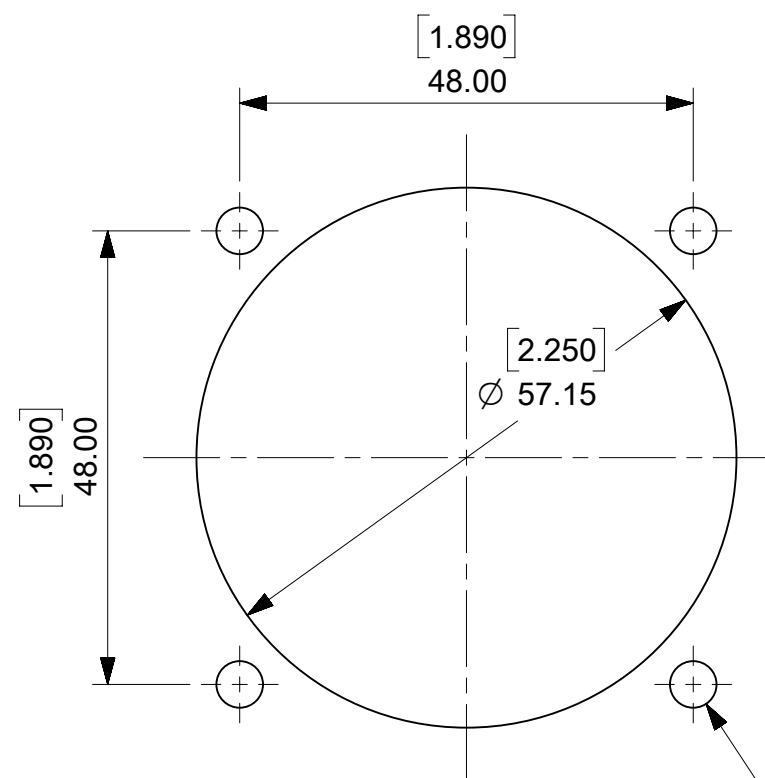
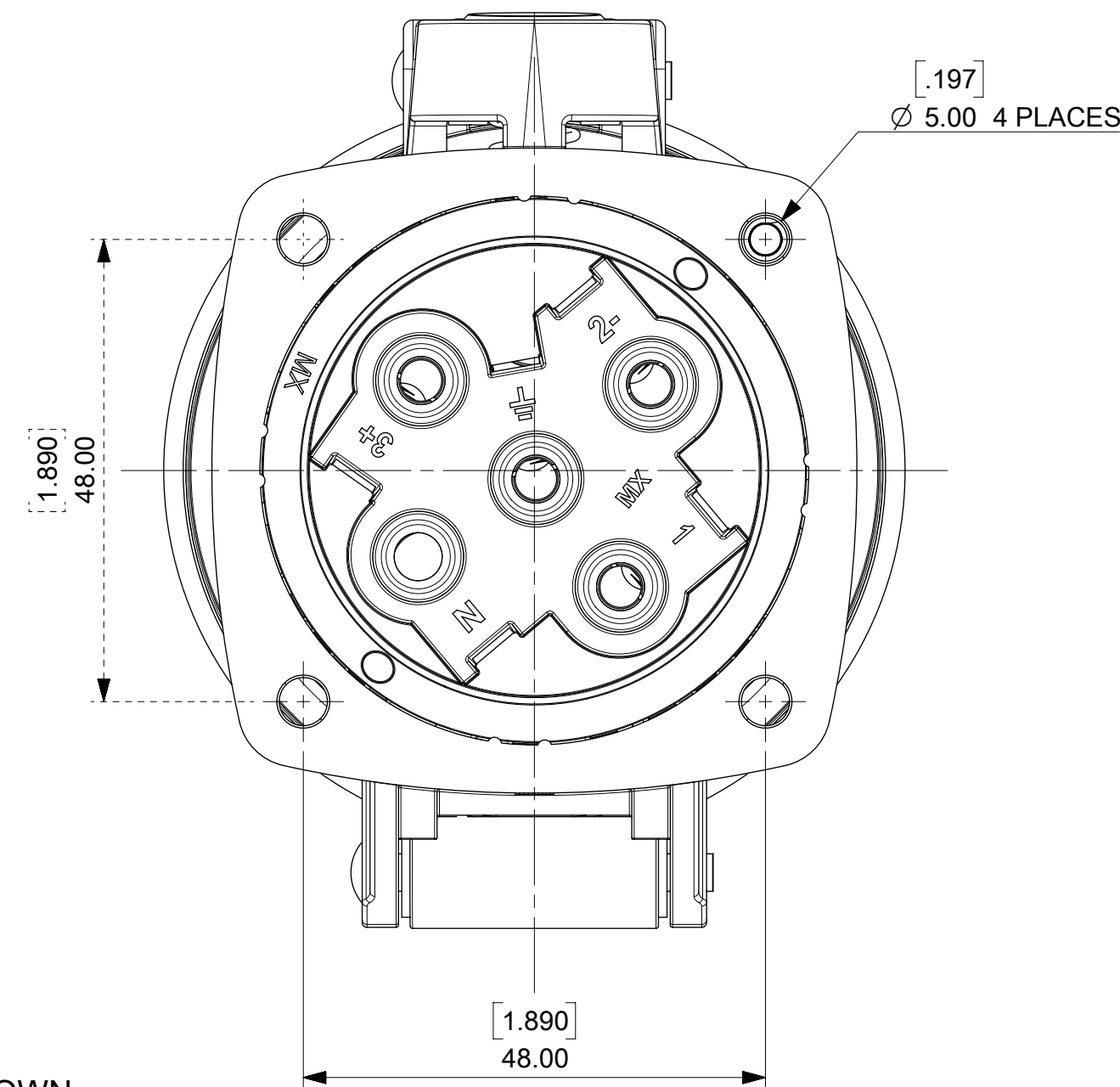
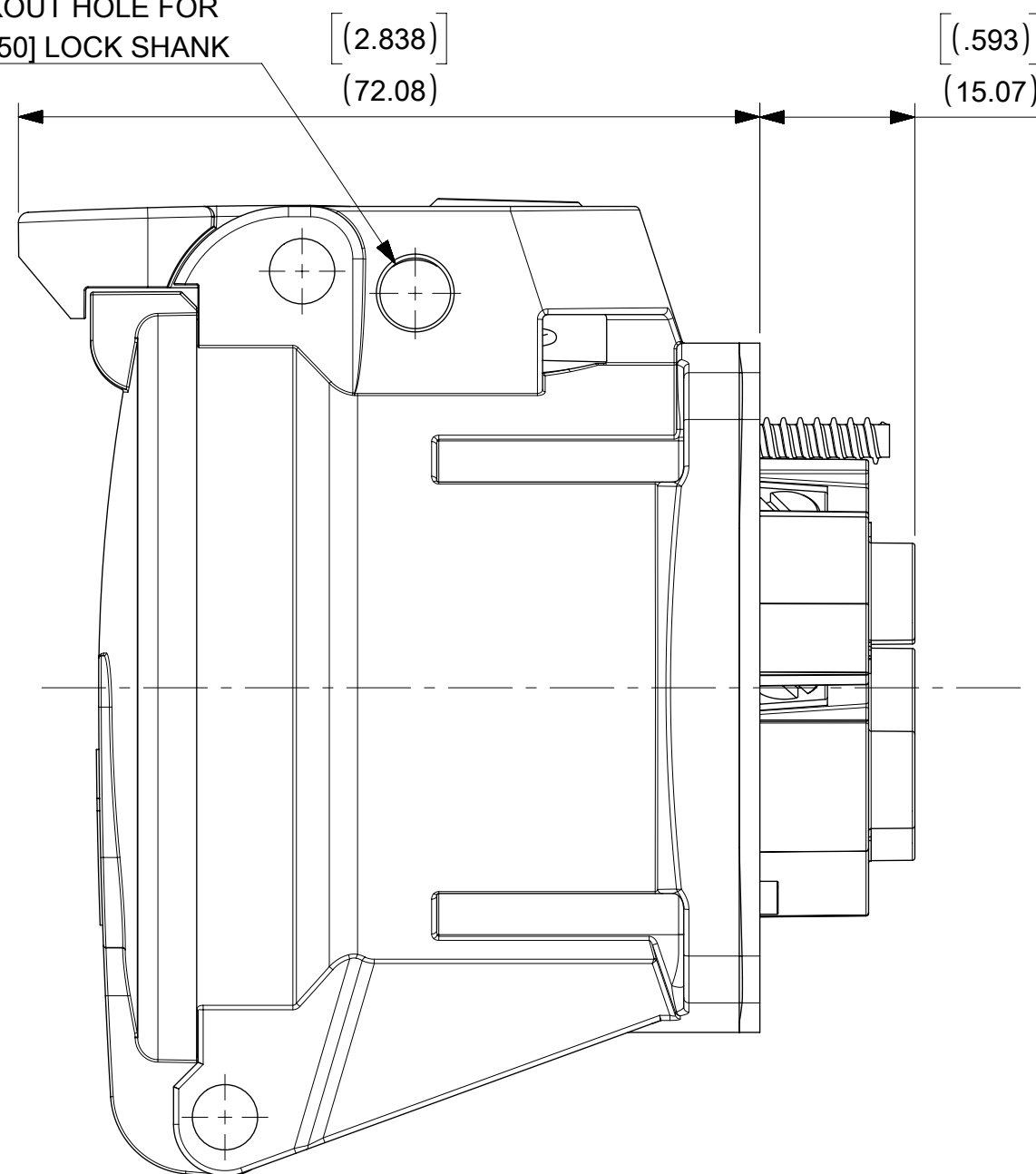
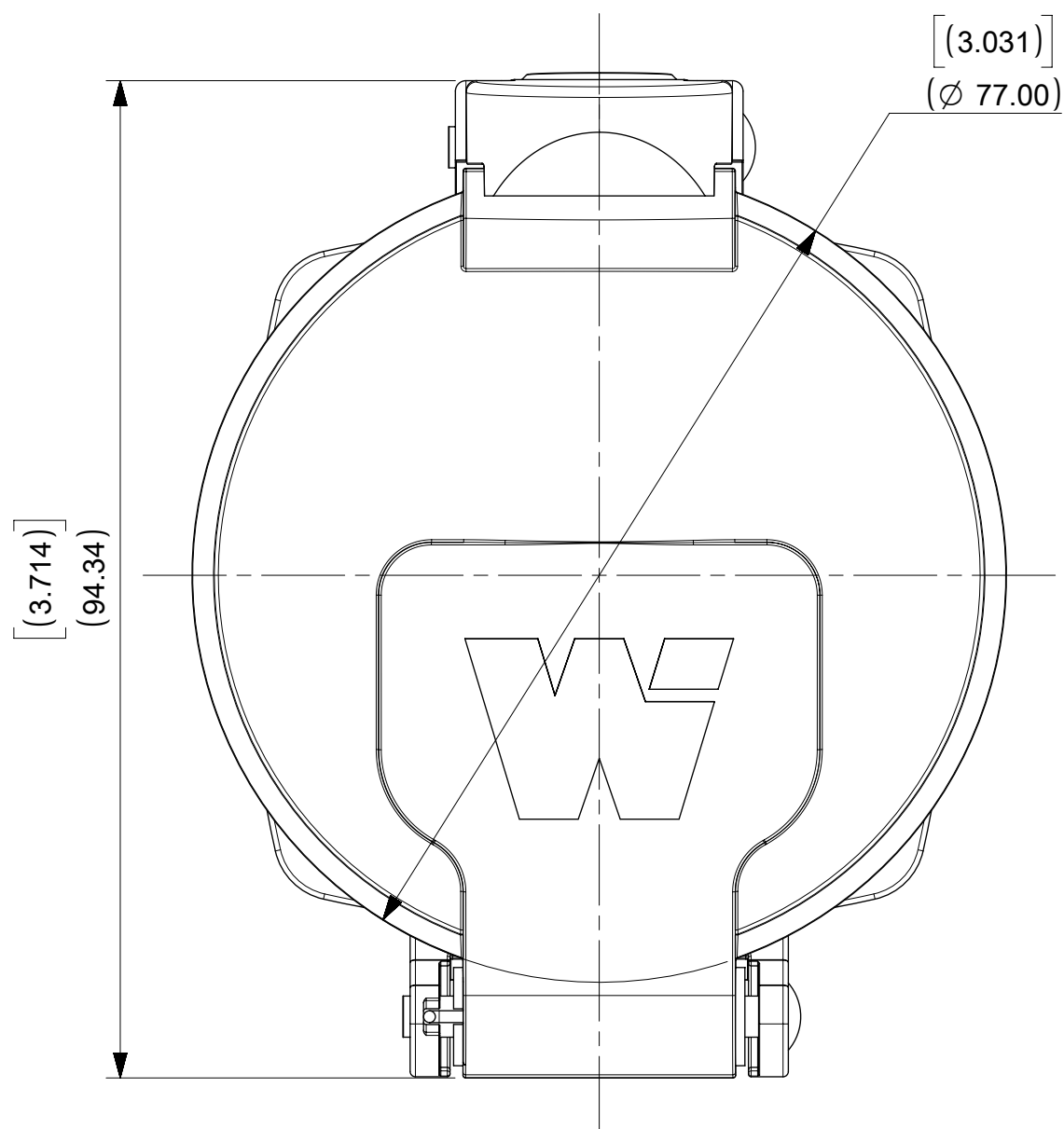
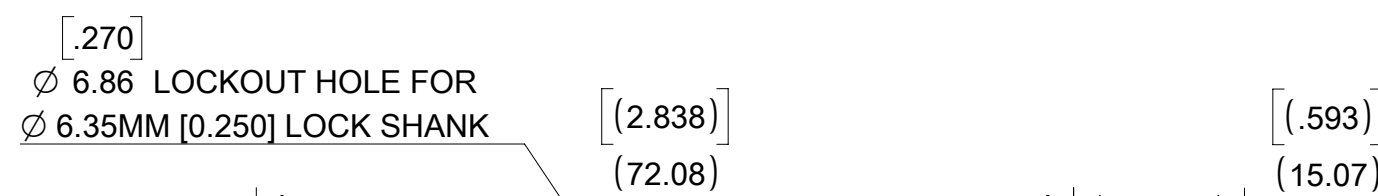


MATERIAL NUMBER	ENGINEERING NUMBER	DESCRIPTION	INSULATOR KEYING POSITION	HORSEPOWER RATING
1122190001	ARC30FA01	ARC 30A F 125VAC 1P+N+G	7	1 HP
1122190002	ARC30FB02	ARC 30A F 250VAC 2P+G		3 HP
1122190003	ARC30FB03	ARC 30A F 250VAC 3P+G		5 HP
1122190004	ARC30FAB04	ARC 30A F 125/250VAC 2P+N+G	16	NA
1122190005	ARC30FC02	ARC 30A F 208VAC 2P+G		NA
1122190006	ARC30FC03	ARC 30A F 208VAC 3P+G		5 HP
1122190007	ARC30FAC05	ARC 30A F 120/208VAC 3P+N+G	4	NA
1122190008	ARC30FD01	ARC 30A F 277VAC 1P+N+G		NA
1122190009	ARC30FE02	ARC 30A F 480VAC 2P+G		NA
1122190010	ARC30FE03	ARC 30A F 480VAC 3P+G	14	10 HP
1122190011	ARC30FDE05	ARC 30A F 277/480VAC 3P+N+G		NA
1122190012	ARC30FF02	ARC 30A F 600VAC 2P+G		NA
1122190013	ARC30FF03	ARC 30A F 600VAC 3P+G	14	NA
1122190014	ARC30FGF05	ARC 30A F 347/600VAC 3P+N+G		NA



MOUNTING PATTERN



ARC30FE03 SHOWN

NOTES:

- MATERIALS:**
HOUSINGS AND INSULATORS: GLASS FILLED PBT
CONTACTS: COPPER ALLOY WITH A SILVER NICKEL TIP, SILVER PLATED
MOUNTING AND INTERFACE GASKETS: SILICONE
- RATINGS:**
CURRENT: 30 AMPS
VOLTAGE AND HORSEPOWER: SEE TABLE
OPERATING TEMPERATURE: -40°C (-40°F) TO 60°C (140°F)
ENVIRONMENTAL: TYPE 4X, IP69K
WIRING CAPACITY: 12 AWG MIN. TO 8 AWG MAX.
TORQUE TERMINAL SCREWS TO 1.7 N-M (15 in/lbs)
AGENCY: UL LISTING PENDING
- SWITCH RATED RECEPTACLE/CONNECTOR
BRANCH CIRCUIT DISCONNECT SWITCH
MOTOR CIRCUIT DISCONNECT SWITCH IF HP RATED

THIS DRAWING REPLACES SD-112219-001.

SYMBOLS		THIS DRAWING CONTAINS INFORMATION THAT IS PROPRIETARY TO MOLEX ELECTRONIC TECHNOLOGIES, LLC AND SHOULD NOT BE USED WITHOUT WRITTEN PERMISSION		CURRENT REV DESC: ADDED 10HP,NEW	
DIMENSION UNITS		SCALE		NOTES	
∇ = 0	INCH	1.5:1			
∇ = 0	GENERAL TOLERANCES (UNLESS SPECIFIED)				
∇ = 0		MM	INCH		
∇ = 0	4 PLACES	±	±	EC NO: 604773	
∇ = 0	3 PLACES	±	±	DRWN: MJANTELEZIO 2018/09/20	
∇ = 0	2 PLACES	±	±	CHK'D: JFMURPHY 2018/11/05	
∇ = 0	1 PLACE	±	±	APPR: JFMURPHY 2018/11/05	
∇ = 0	0 PLACES	±	±	INITIAL REVISION:	
∇ = 0	ANGULAR TOL	±	°	DRWN: DRWN BY XXXX/XX/XX	
∇ = 0	DRAFT WHERE APPLICABLE MUST REMAIN WITHIN DIMENSIONS		THIRD ANGLE PROJECTION		APPR: APPR BY XXXX/XX/XX
		DRAWING		SERIES	
		C-SIZE		112219	
DOCUMENT STATUS		P1		RELEASE DATE	
2018/11/05		17:31:23			
12		11		10	
9		8		7	
6		5		4	
3		2		1	

molex

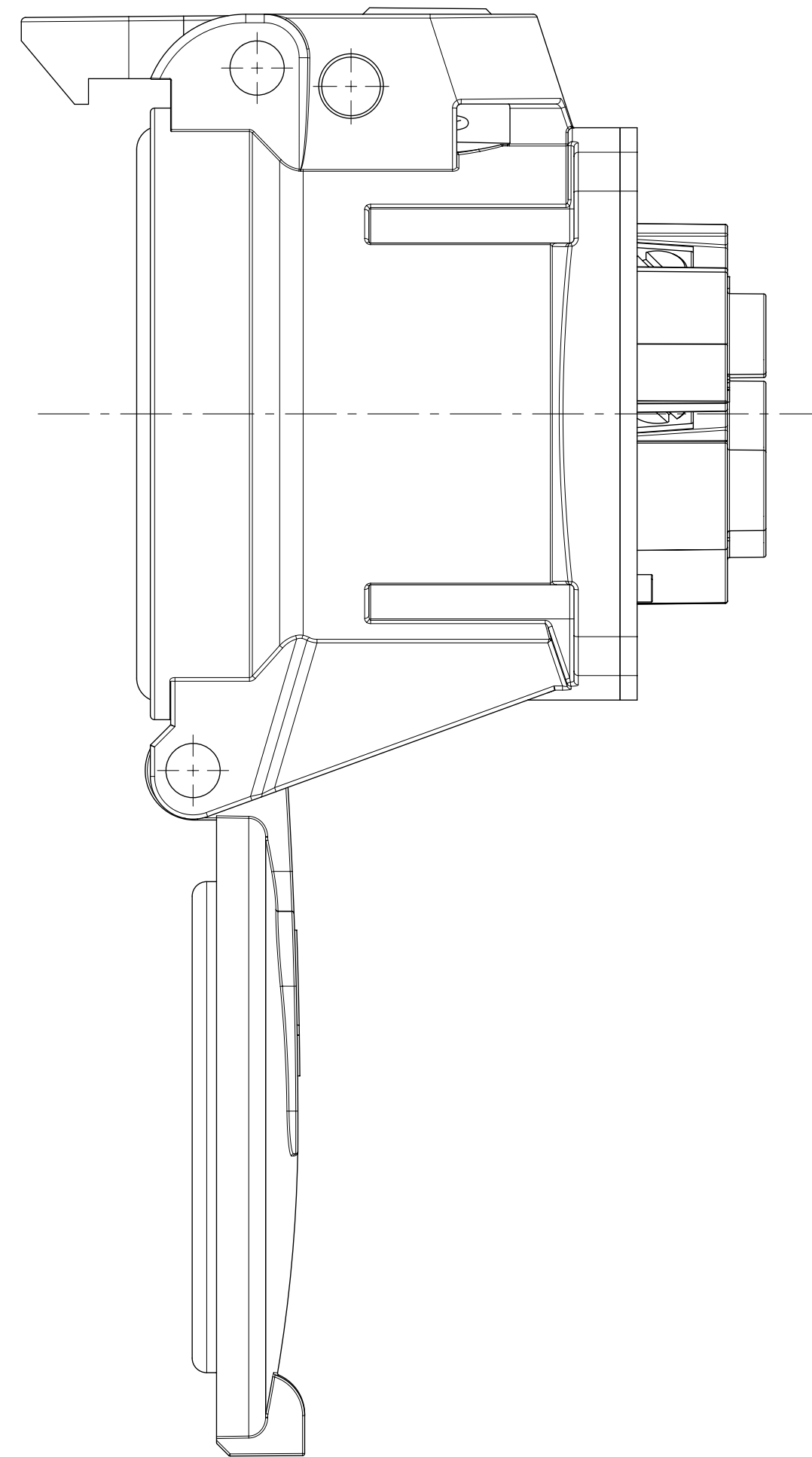
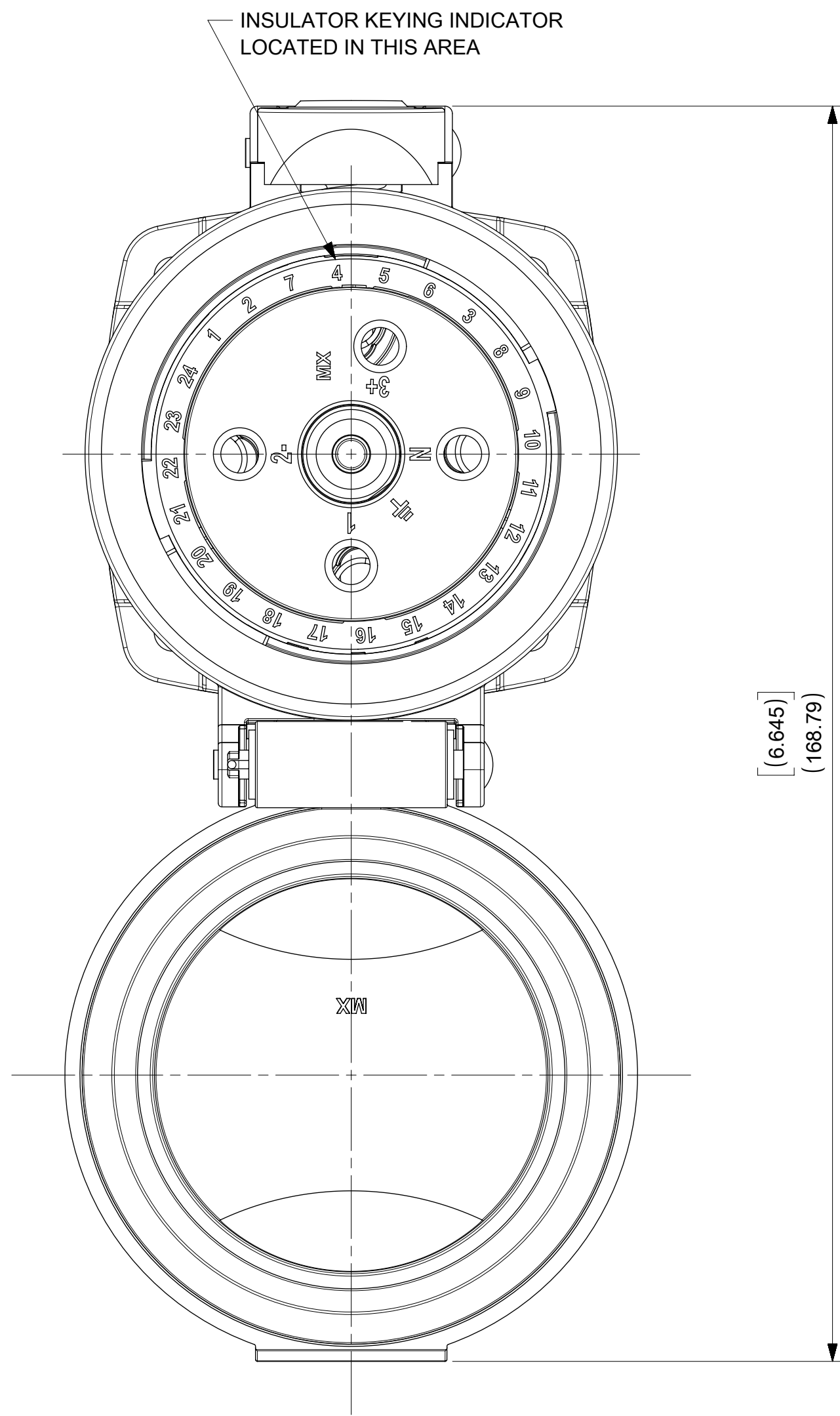
ARC 30A F 480VAC 3P+G

PRODUCT CUSTOMER DRAWING

1122190010

PSD 000 B3

GENERAL MARKET 1 OF 2



ARC30FE03 SHOWN

THIS DRAWING CONTAINS INFORMATION THAT IS PROPRIETARY TO MOLEX ELECTRONIC TECHNOLOGIES, LLC AND SHOULD NOT BE USED WITHOUT WRITTEN PERMISSION										
SYMBOLS		DIMENSION UNITS		SCALE		CURRENT REV DESC: ADDED 10HP, NEW NOTES				
▽ = 0	INCH	1.5:1		EC NO: 604773 DRWN: MJANTELEZIO 2018/09/20 CHK'D: JFMURPHY 2018/11/05 APPR: JFMURPHY 2018/11/05 INITIAL REVISION: DRWN: DRWN BY XXXX/XX/XX APPR: APPR BY XXXX/XX/XX						
▽ = 0	GENERAL TOLERANCES (UNLESS SPECIFIED)									
▽ = 0		MM	INCH							
▽ = 0	4 PLACES	±	±							
▽ = 0	3 PLACES	±	±							
▽ = 0	2 PLACES	±	±							
▽ = 0	1 PLACE	±	±							
▽ = 0	0 PLACES	±	±							
▽ = 0	ANGULAR TOL	±	°	THIRD ANGLE PROJECTION		DRAWING	SERIES	MATERIAL NUMBER	CUSTOMER	SHEET NUMBER
▽ = 0	DRAFT WHERE APPLICABLE MUST REMAIN WITHIN DIMENSIONS					C-SIZE	112219	1122190010	GENERAL MARKET	2 OF 2

molex

ARC 30A F 480VAC 3P+G

PRODUCT CUSTOMER DRAWING

DOCUMENT NUMBER	DOC TYPE	DOC PART	REVISION
1122190010	PSD	000	B3