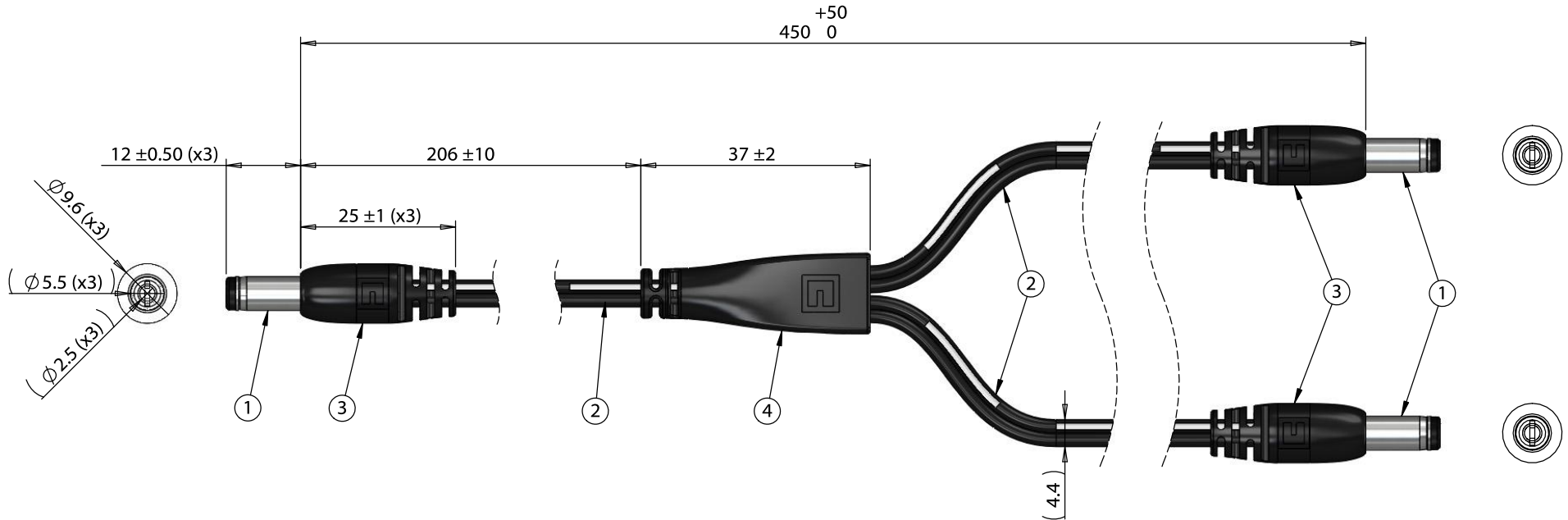


ITEM NO.	PART NUMBER	DESCRIPTION	QTY.	COMPONENT NOTES
1	50-00026	Connector, dc plug, 5.5x2.5xL23 mm, molding style, spring contacts	3	
2	30-00007	Wire, 2C BC, 18 AWG, UL2468, 300V, 80C, 4.4 mm, VW-1, PVC, 87A	3	
3	24-00003	Overmold, PVC	3	black
4	24-00195	Overmold, splitter, Ø 8.0 mm by 10.0x13.0 mm	1	black



**Notes:**  
Functionally equivalent components may be substituted

Wiring Diagram		
50-00026	wire color	50-00026
center	black with stripe	center
sleeve	black	sleeve

Revision:	Date:	Description:	Prepared:	Notes:	<h1>TENSILITY</h1> <p>tel 1.541.323.3228 800 877.670.7118 fax 1.541.323.4202 web tensility.com</p>
A	4/10/2018	Initial release	JP <small>Digitally signed by JP Date: 2018.04.11 11:42:55 -07'00'</small>		
			Verified:	Function test: no open, no short circuit, no intermittent	Size:
			AW <small>Digitally signed by AW Date: 2018.04.11 15:44:45 -07'00'</small>	Description:	Part number:
			Dimensions are in millimeters. Tolerances: X: ± 0.5 mm X.X: ± 0.3 mm X.XX: ± 0.05 mm	Cable, 450 mm, 5.5x2.5x12 mm 50-00026 dc plug to y-split to 2x 5.5x2.5x12 mm dc plug, 18 AWG, UL2468	A 10-02731
					Scale: 1:1
					Sheet 1 of 1

5

4

3

2

1