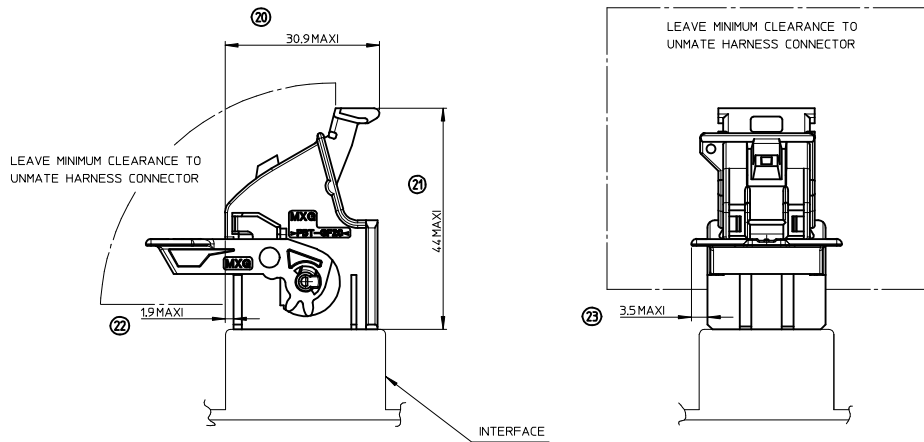
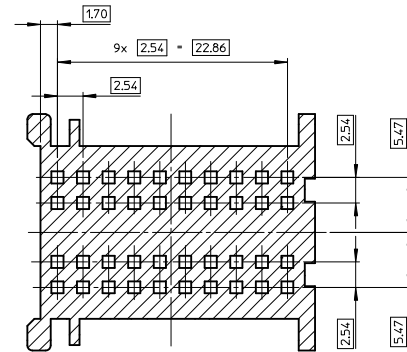


MOLEX P/N 0989821021 BLACK MOLEX P/N 0989821028 GREY MOLEX P/N 0989821020 WHITE MOLEX P/N 0989821026 BLUE

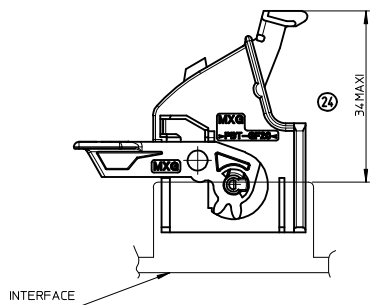
CLEARANCE FOR CONNECTOR MATE AND UNMATE 2:1



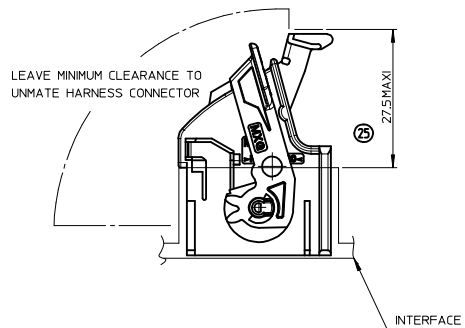
CAVITY LOCATION 4:1



TRAVEL TO ELECTRIC CONTACT 2:1



CONNECTOR FULLY MATED 2:1

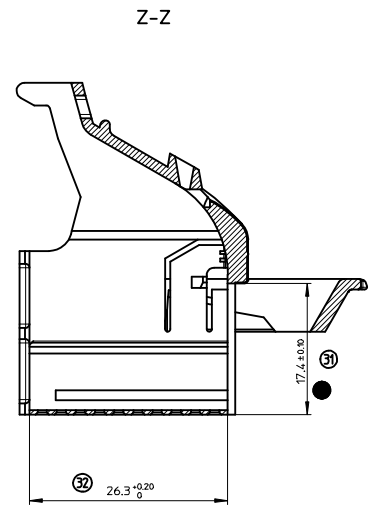
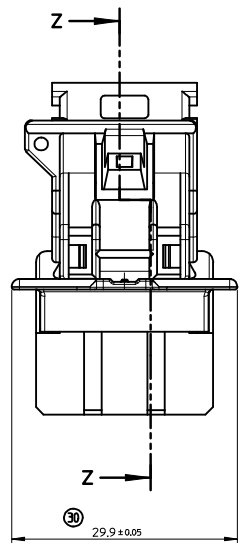
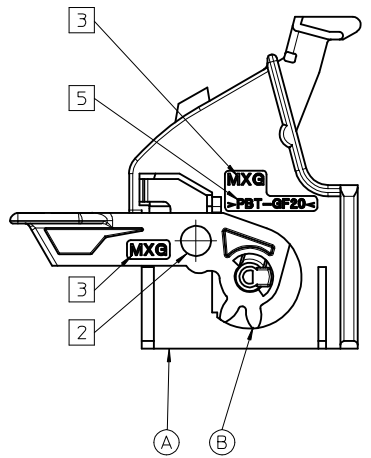
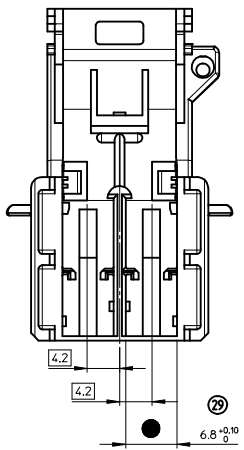
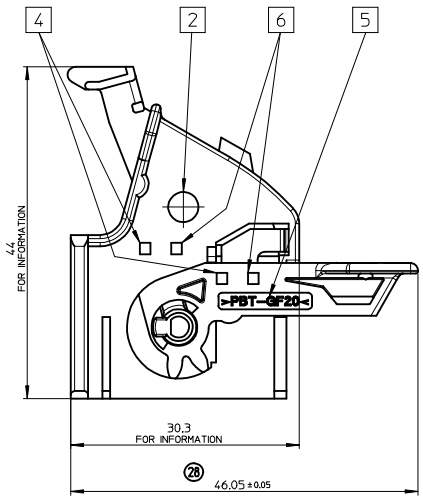
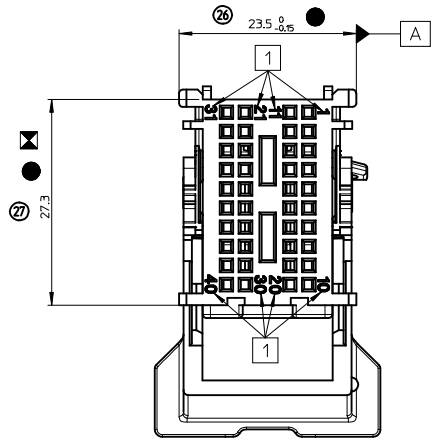


☒	INDICATION DIMENSIONS S.P.C DENOTES 'S.P.C DIMENSIONS'
●	INDICATION DIMENSIONS CRITIQUES DENOTES 'CRITICAL DIMENSIONS'
●	INDICATION DIMENSIONS FONCTIONNELLES DENOTES 'FUNCTIONAL DIMENSIONS'
QUANTITE PAR FEUILLE INDIVIDUELLE QUANTITY PER INDIVIDUAL SHEET	
☒ 0	● 0
☒ 0	● 15



<b>FIRST RELEASE</b> EC NO: GZ008-0096 DRAWN: POUCHAUD 2007/10/15 CHECKED: YIGEL 2007/10/15 APPR: LSTICKEIR 2007/10/15	<b>QUALITY SYMBOLS</b> ▽=0 ▽=0	<b>GENERAL TOLERANCES (UNLESS SPECIFIED)</b> <table border="1"> <tr> <th></th> <th>mm</th> <th>INCH</th> </tr> <tr> <td>4 PLACES</td> <td>± ---</td> <td>± ---</td> </tr> <tr> <td>3 PLACES</td> <td>± ---</td> <td>± ---</td> </tr> <tr> <td>2 PLACES</td> <td>± 0.05</td> <td>± ---</td> </tr> <tr> <td>1 PLACE</td> <td>± 0.10</td> <td>± ---</td> </tr> </table> ANGULAR ± 2°		mm	INCH	4 PLACES	± ---	± ---	3 PLACES	± ---	± ---	2 PLACES	± 0.05	± ---	1 PLACE	± 0.10	± ---	<b>DIMENSION STYLE</b> MM ONLY	SCALE 3:1 DESIGN UNITS METRIC THIRD ANGLE PROJECTION	DRAWN BY LPOUCHAUD DATE 2007/09/05 CHECKED BY YIGEL DATE 2007/09/05 APPROVED BY LSTICKEIR DATE 2007/09/10 MATERIAL NO.	TITLE MOX MOUNT HSG RCPT CONN 40CKT <b>MOLEX INCORPORATED</b> DOCUMENT NO. SD-98982-002	SHEET NO. 1 OF 2
		mm	INCH																			
	4 PLACES	± ---	± ---																			
	3 PLACES	± ---	± ---																			
2 PLACES	± 0.05	± ---																				
1 PLACE	± 0.10	± ---																				
DRAFT WHERE APPLICABLE MUST REMAIN WITHIN DIMENSIONS		SEE CHART		THIS DRAWING CONTAINS INFORMATION THAT IS PROPRIETARY TO MOLEX INCORPORATED AND SHOULD NOT BE USED WITHOUT WRITTEN PERMISSION																		

⊠	INDICATION DIMENSIONS S.P.C DENOTES S.P.C DIMENSIONS
⊗	INDICATION DIMENSIONS CRITIQUES DENOTES CRITICAL DIMENSIONS
●	INDICATION DIMENSIONS FONCTIONNELLES DENOTES FUNCTIONAL DIMENSIONS
QUANTITE PAR FEUILLE INDIVIDUELLE QUANTITY PER INDIVIDUAL SHEET	
⊠ 1	⊗ 0
● 4	



MARKINGS	
1	- CAVITY NUMBER
2	- DATUM MONTH/YEAR
3	- MOLEX MARK
4	- IMPRESSION MARK
5	- RAW MATERIAL
6	- REVISION LEVEL

NOTES :

- FOR ILLUSTRATION PURPOSE, THE MOX HOUSING SHOWN IS THE BLACK CODING P/N 0989821021. FOR OTHER COLOR VERSION, SEE CODING CHART.
- PRODUCT QUALIFIED ACCORDING TO PSA NORM: 9629764699A.
- APPLICATION SPECIFICATION: RAS-98982-001.
- INTERFACE DRAWING IS THE PROPERTY FROM PSA: 9633297199
- IN THE MOX HOUSING RECEPTACLE CONNECTOR, MOUNT JUST MOLEX MODULE 0989821010 AND 0989821016.

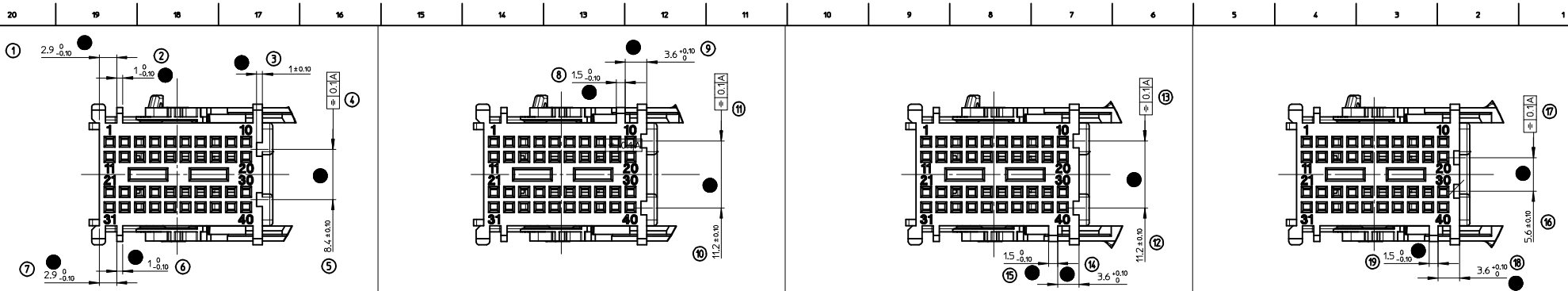
FIRST RELEASE EC NO: G2008-0096 DRAWN BY: LPOUCHAUD CHKD BY: YIGEL APPROVAL: LSTICKEIR	REV	DESCRIPTION	DATE
	A		2007/10/15

B	1	Piece	MOX Rcpt Conn Lever Bk 40CKT	0989820031	BLACK	>PBT-GF20<	1.891 g
A	1	Piece	MOX Mounting HSG Rcpt Bk 40CKT	0989820021	BLACK	>PBT-GF20<	6.087 g

Item	Amount	Unit	Description	Part-Number	Color	Material	Weight Calculated
------	--------	------	-------------	-------------	-------	----------	-------------------

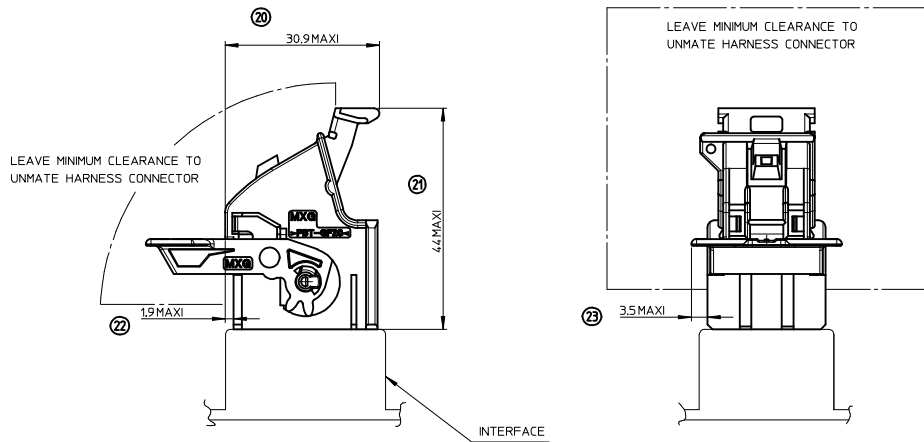
QUALITY SYMBOLS		GENERAL TOLERANCES (UNLESS SPECIFIED)		DIMENSION STYLE		SCALE	DESIGN UNITS	THIRD ANGLE PROJECTION
▽=0	▽=0	mm	INCH	MM ONLY		3:1	METRIC	☐
4 PLACES ± --- ± ---				DRAWN BY		DATE	TITLE	
3 PLACES ± --- ± ---				LPOUCHAUD		2007/09/05	MOX MOUNT HSG RCPT CONN 40CKT	
2 PLACES ± 0.05 ± ---				CHECKED BY		DATE		
1 PLACE ± 0.10 ± ---				YIGEL		2007/09/05		
ANGULAR ± 2 °				APPROVED BY		DATE		
				LSTICKEIR		2007/09/10		
DRAFT WHERE APPLICABLE MUST REMAIN WITHIN DIMENSIONS		SEE CHART		MATERIAL NO.		DOCUMENT NO.	SHEET NO.	
				A		SD-98982-002	2 OF 2	

THIS DRAWING CONTAINS INFORMATION THAT IS PROPRIETARY TO MOLEX INCORPORATED AND SHOULD NOT BE USED WITHOUT WRITTEN PERMISSION

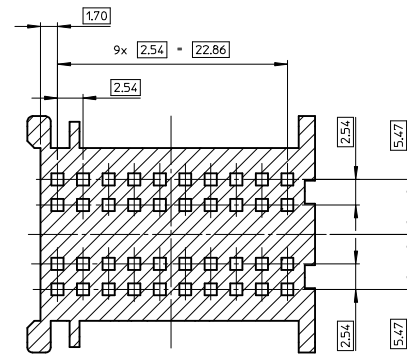


MOLEX P/N 0989821021 BLACK MOLEX P/N 0989821028 GREY MOLEX P/N 0989821020 WHITE MOLEX P/N 0989821026 BLUE

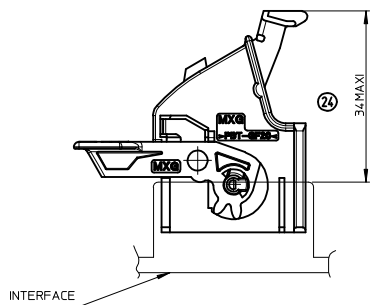
CLEARANCE FOR CONNECTOR MATE AND UNMATE 2:1



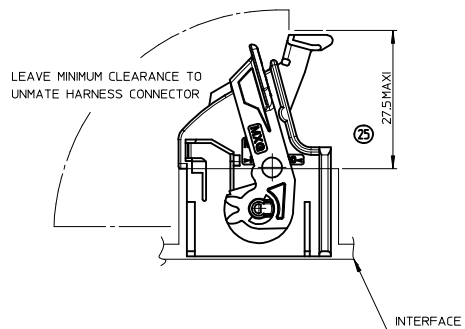
CAVITY LOCATION 4:1



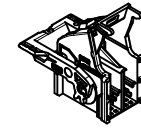
TRAVEL TO ELECTRIC CONTACT 2:1



CONNECTOR FULLY MATED 2:1

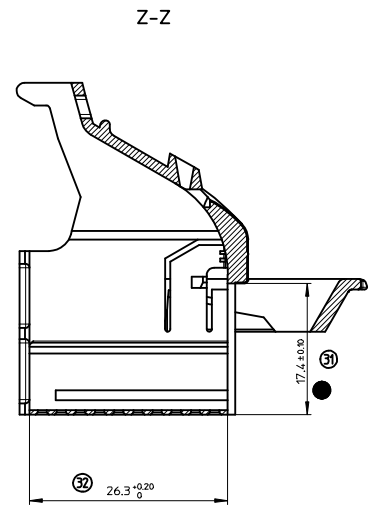
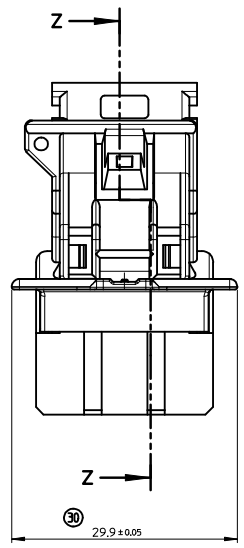
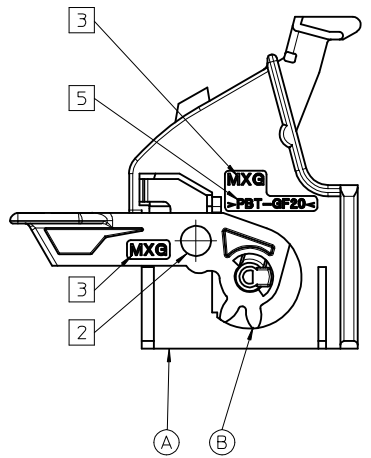
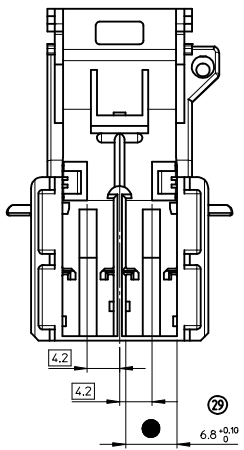
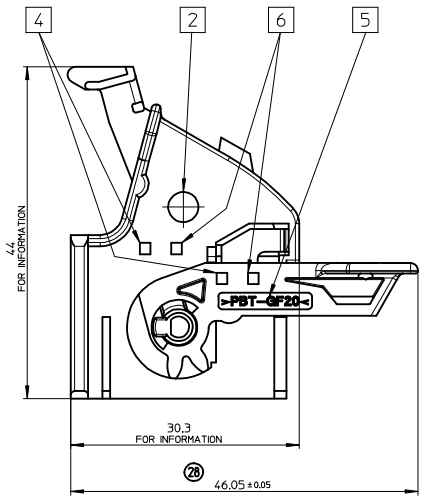
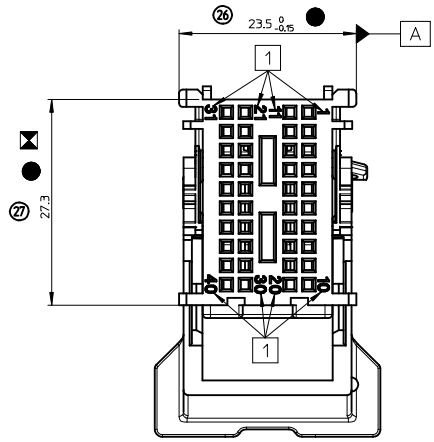


☒ INDICATION DIMENSIONS S.P.C DENOTES 'S.P.C DIMENSIONS'	● INDICATION DIMENSIONS CRITIQUES DENOTES 'CRITICAL DIMENSIONS'
● INDICATION DIMENSIONS FONCTIONNELLES DENOTES 'FUNCTIONAL DIMENSIONS'	☒ 0
QUANTITE PAR FEUILLE INDIVIDUELLE QUANTITY PER INDIVIDUAL SHEET	● 0
	● 15



<b>FIRST RELEASE</b> EC NO: GZ008-0096 DRAWN: POUCHAUD 2007/10/15 CHECKED: YIGEL 2007/10/15 APPROVED: LSTICKEIR 2007/10/15	QUALITY SYMBOLS	GENERAL TOLERANCES (UNLESS SPECIFIED)	DIMENSION STYLE	SCALE	DESIGN UNITS	THIRD ANGLE PROJECTION	
	▽=0	mm INCH	MM ONLY	3:1	METRIC	☒	
	▽=0	4 PLACES ± --- ± --- 3 PLACES ± --- ± --- 2 PLACES ± 0.05 ± --- 1 PLACE ± 0.10 ± ---	DRAWN BY DATE LPOUCHAUD 2007/09/05	CHECKED BY DATE YIGEL 2007/09/05	TITLE MOX MOUNT HSG RCPT CONN 40CKT		
		ANGULAR ± 2°	APPROVED BY DATE LSTICKEIR 2007/09/10	MATERIAL NO.	MOLEX INCORPORATED		
	DRAFT WHERE APPLICABLE MUST REMAIN WITHIN DIMENSIONS	SEE CHART	DOCUMENT NO.	SD-98982-002			
			THIS DRAWING CONTAINS INFORMATION THAT IS PROPRIETARY TO MOLEX INCORPORATED AND SHOULD NOT BE USED WITHOUT WRITTEN PERMISSION				

⊠	INDICATION DIMENSIONS S.P.C DENOTES S.P.C DIMENSIONS
⊗	INDICATION DIMENSIONS CRITIQUES DENOTES CRITICAL DIMENSIONS
●	INDICATION DIMENSIONS FONCTIONNELLES DENOTES FUNCTIONAL DIMENSIONS
QUANTITE PAR FEUILLE INDIVIDUELLE QUANTITY PER INDIVIDUAL SHEET	
⊠ 1	⊗ 0
● 4	



**MARKINGS**

1	- CAVITY NUMBER
2	- DATUM MONTH/YEAR
3	- MOLEX MARK
4	- IMPRESSION MARK
5	- RAW MATERIAL
6	- REVISION LEVEL

**NOTES :**

- FOR ILLUSTRATION PURPOSE, THE MOX HOUSING SHOWN IS THE BLACK CODING P/N 0989821021. FOR OTHER COLOR VERSION, SEE CODING CHART.
- PRODUCT QUALIFIED ACCORDING TO PSA NORM: 9629764699A.
- APPLICATION SPECIFICATION: RAS-98982-001.
- INTERFACE DRAWING IS THE PROPERTY FROM PSA: 9633297199
- IN THE MOX HOUSING RECEPTACLE CONNECTOR, MOUNT JUST MOLEX MODULE 0989821010 AND 0989821016.

FIRST RELEASE EC NO: GZ008-0096 DRAWN: POUCHAUD 2007/10/15 CHKD: YIGEL 2007/10/15 APPR: LSTICKEIR 2007/10/15	B	1	Piece	MOX Rcpt Conn Lever Blk 40CKT	0989820031	BLACK	>PBT-GF20<	1.891 g	
	A	1	Piece	MOX Mounting HSG Rcpt Blk 40CKT	0989820021	BLACK	>PBT-GF20<	6.087 g	
QUALITY SYMBOLS	Item	Amount	Unit	Description	Part-Number	Color	Material	Weight Calculated	
▽=0 ▽=0	GENERAL TOLERANCES (UNLESS SPECIFIED)				DIMENSION STYLE		SCALE	DESIGN UNITS	THIRD ANGLE PROJECTION
	mm		INCH		MM ONLY		3:1	METRIC	☐
DRAFT WHERE APPLICABLE MUST REMAIN WITHIN DIMENSIONS	4 PLACES ± --- ± ---		DRAWN BY		DATE		TITLE		
	3 PLACES ± --- ± ---		LPOUCHAUD		2007/09/05		MOX MOUNT HSG RCPT CONN 40CKT		
	2 PLACES ± 0.05 ± ---		CHECKED BY		DATE		MOLEX INCORPORATED		
	1 PLACE ± 0.10 ± ---		YIGEL		2007/09/05		SD-98982-002		
	ANGULAR ± 2 °		APPROVED BY		DATE		SHEET NO. 2 OF 2		
MATERIAL NO.				LSTICKEIR		2007/09/10		DOCUMENT NO.	
SEE CHART				THIS DRAWING CONTAINS INFORMATION THAT IS PROPRIETARY TO MOLEX INCORPORATED AND SHOULD NOT BE USED WITHOUT WRITTEN PERMISSION					