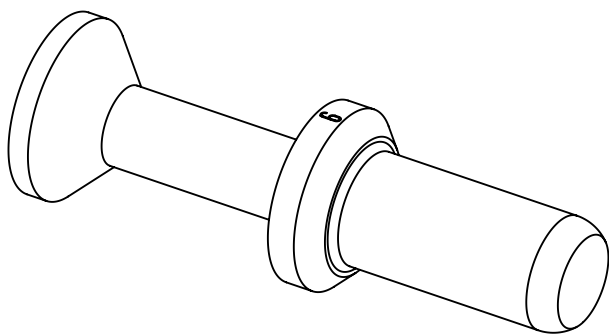



assembly notes see catalog  
 crimp zone acc. to DIN EN 46235, indicator 6  
 for stranded fine wire acc. to VDE 0295 class 5/ IEC 60228 class 5  
 wire gauge: 10mm<sup>2</sup>  
 stripping length: 19mm



	All rights reserved Department EL PD	All Dimensions in mm Original Size DIN A4			Scale 2:1	Free size tol.	Ref. Sub.	
		HARTING Electric GmbH & Co. KG D-32339 Espelkamp	Created by SCHULZI	Inspected by SCHNIEDER	Standardisation SCHMIDTM	Date 2015-01-27	State Final Release	Doc-Key / ECM-Nr. 100176611/UGD/007/A 500000082399
		Title Han TC100 male contact 10mm <sup>2</sup>					Rev. A	Page 1/1
		Type TB	Number 09 11 000 6114					