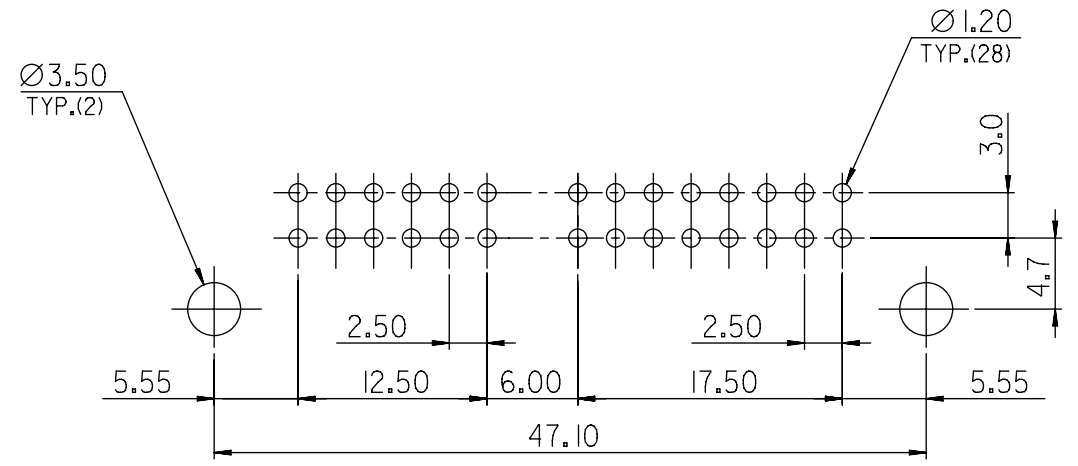
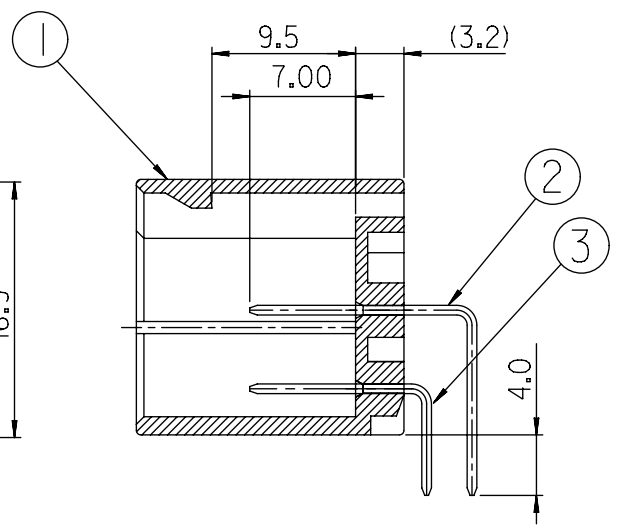
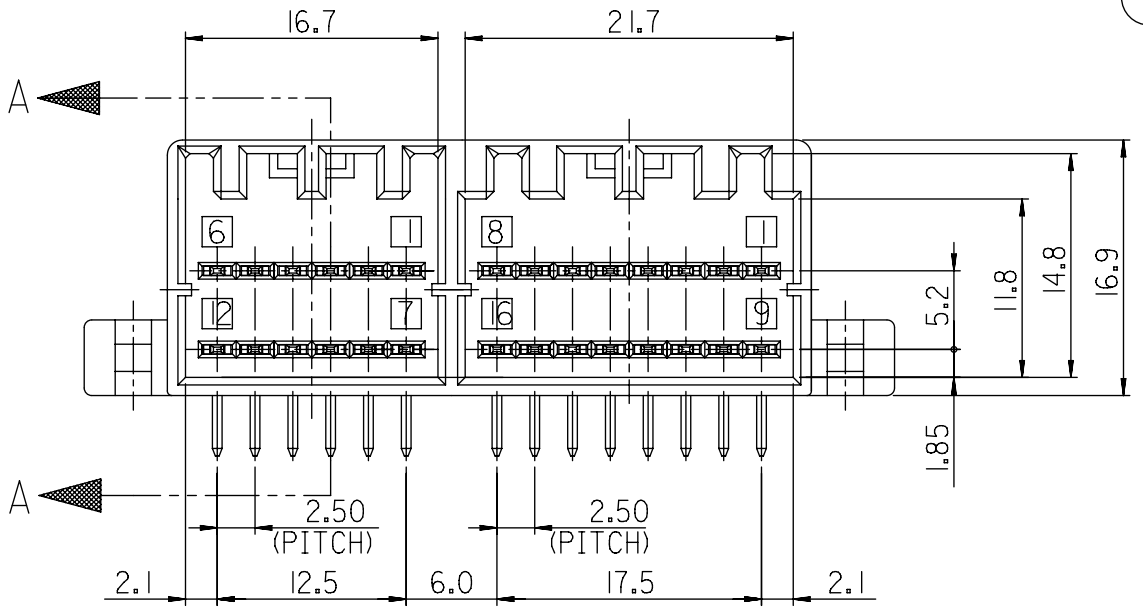
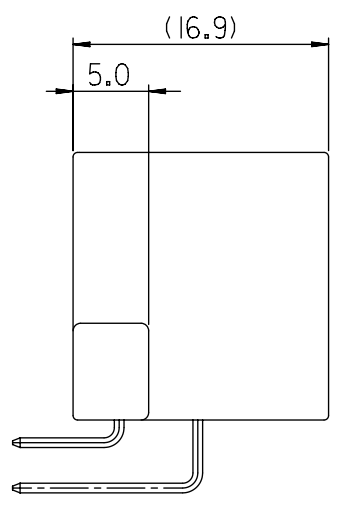
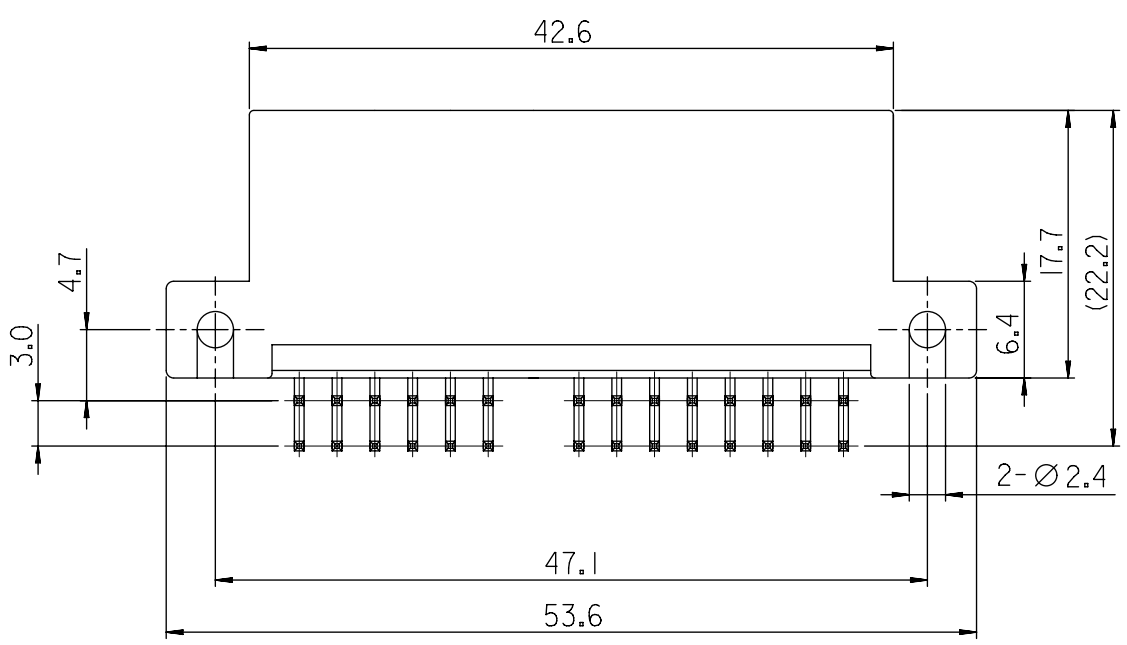


NO.	PART NO.	COLOR
1	68145-2825	GRAY



RECOMMENED P.C.B HOLE DIM.(MOUNT SIDE)

SECTION A-A



NOTES

I. APPLICABLE FEMALE HOUSING : 64002-121*, 35563-161*

NO.	DESCRIPTION	MATERIAL	REMARK
①	HOUSING	PBT, G/F 15%	UL94HB
②	PIN(L)	BRASS	PRE-TIN PLATED
③	PIN(S)		

THIS DRAWING CONTAINS INFORMATION THAT IS PROPRIETARY TO MOLEX ELECTRONIC TECHNOLOGIES, LLC AND SHOULD NOT BE USED WITHOUT WRITTEN PERMISSION											
DIMENSION UNITS mm		SCALE 2:1		CURRENT REV DESC: OBSOLETE PART NUMBERS						molex	
GENERAL TOLERANCES (UNLESS SPECIFIED)				EC NO: 647862		2020/09/30		.040 WIRE TO BOARD CONNECTOR 28P HEADER ASS'Y-R/A (HZT)			
4 PLACES ±		±		DRWN: RPRABHUM		2020/11/09					
3 PLACES ±		±		CHK'D: GGA		2020/11/09		PRODUCT CUSTOMER DRAWING			
2 PLACES ±		0.25 ±		APPR: GGA		2020/11/09					
1 PLACE ±		0.3 ±		INITIAL REVISION:		2002/07/12		DOCUMENT NUMBER SD-68145-328			
0 PLACES ±		±		DRWN: B.C.YOON		2002/07/12					
ANGULAR TOL ±		1.0 °		APPR: C.W.LEE		2002/07/12		DOC TYPE PSD			
DRAFT WHERE APPLICABLE MUST REMAIN WITHIN DIMENSIONS		THIRD ANGLE PROJECTION		DRAWING B-SIZE		SERIES 68145		MATERIAL NUMBER SEE TABLE		CUSTOMER GENERAL MARKET	
DOCUMENT STATUS P1		RELEASE DATE 2020/11/09 10:23:47		SHEET NUMBER 1 OF 1		REVISION C		DOC PART 001		REVISION	