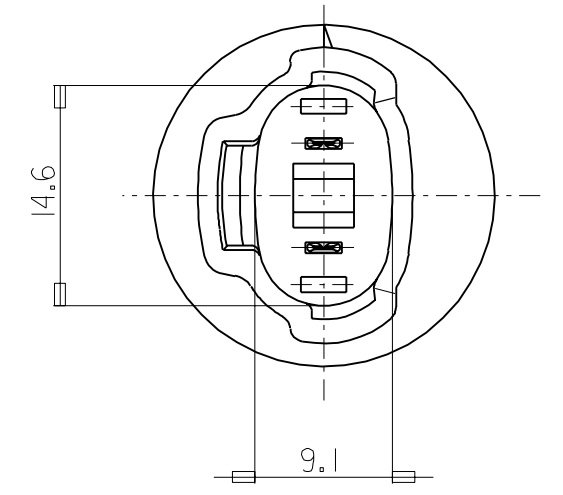
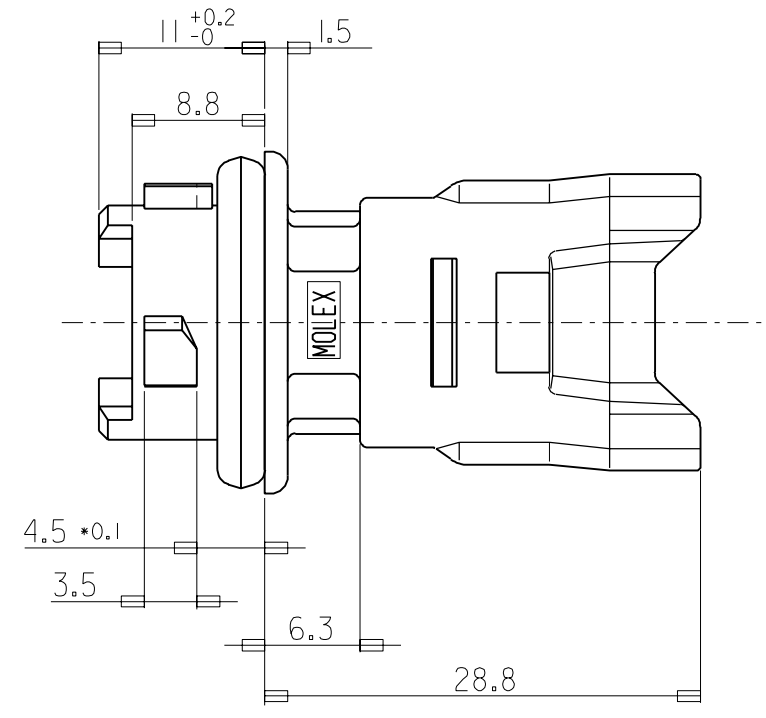
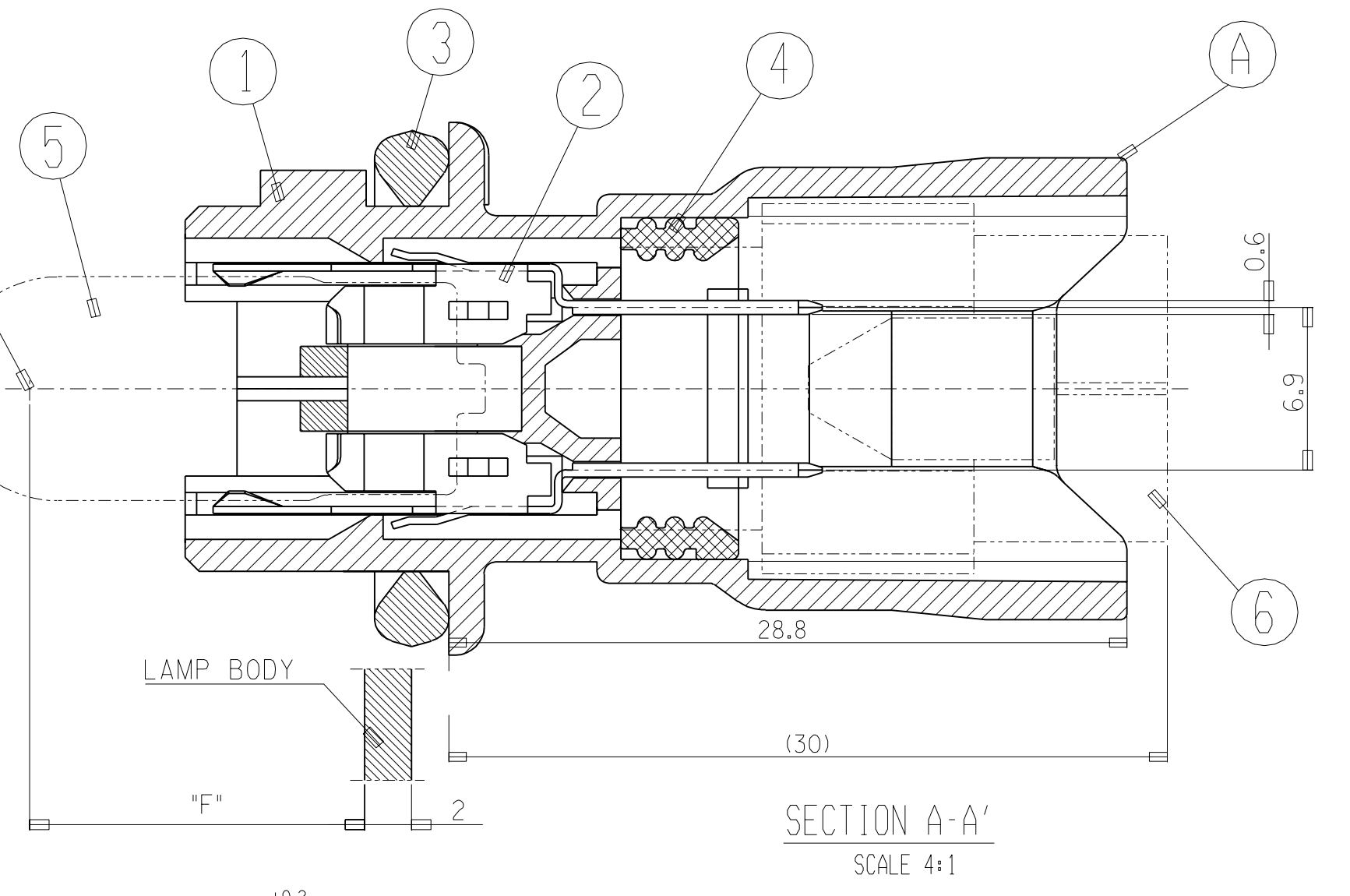
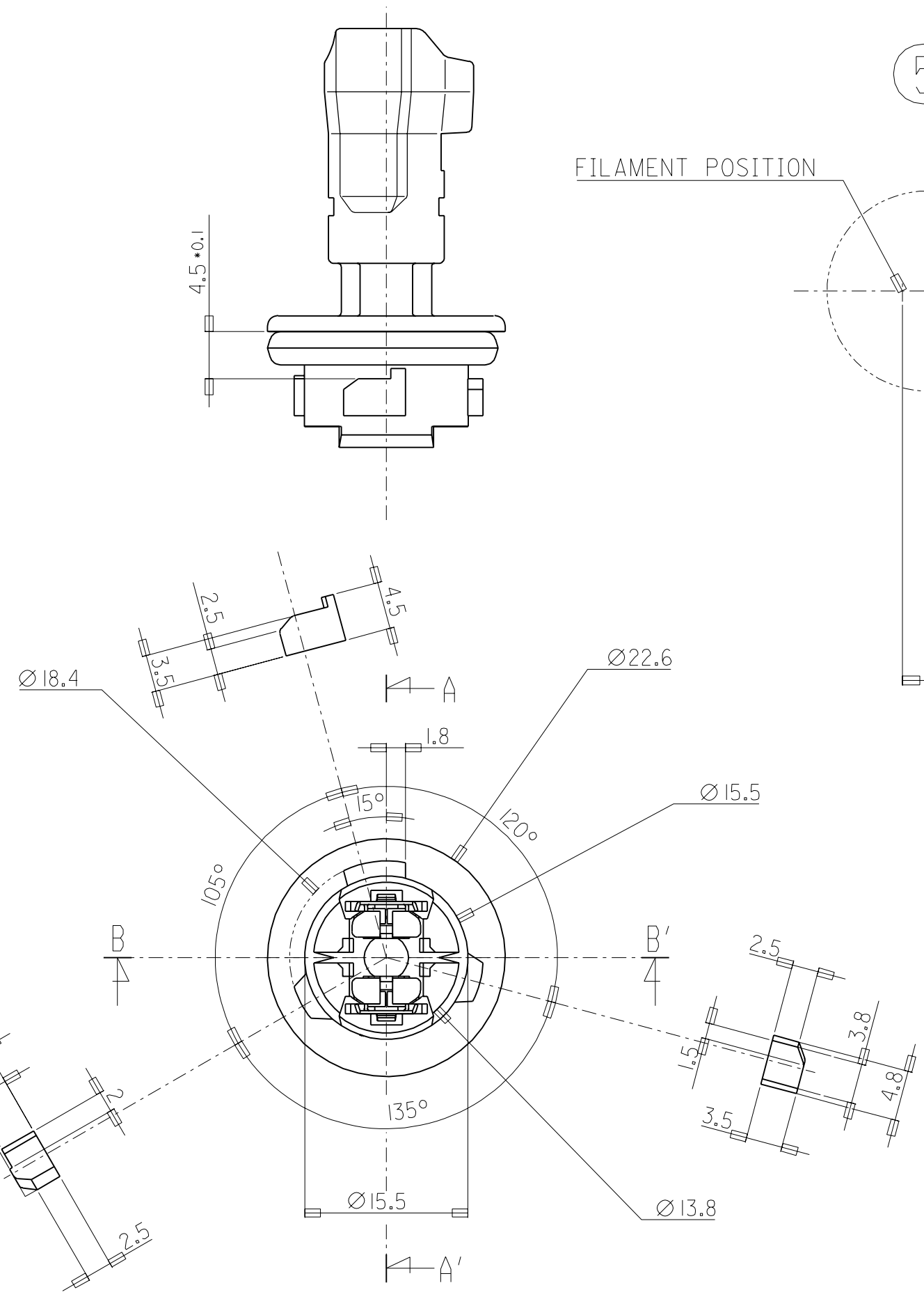
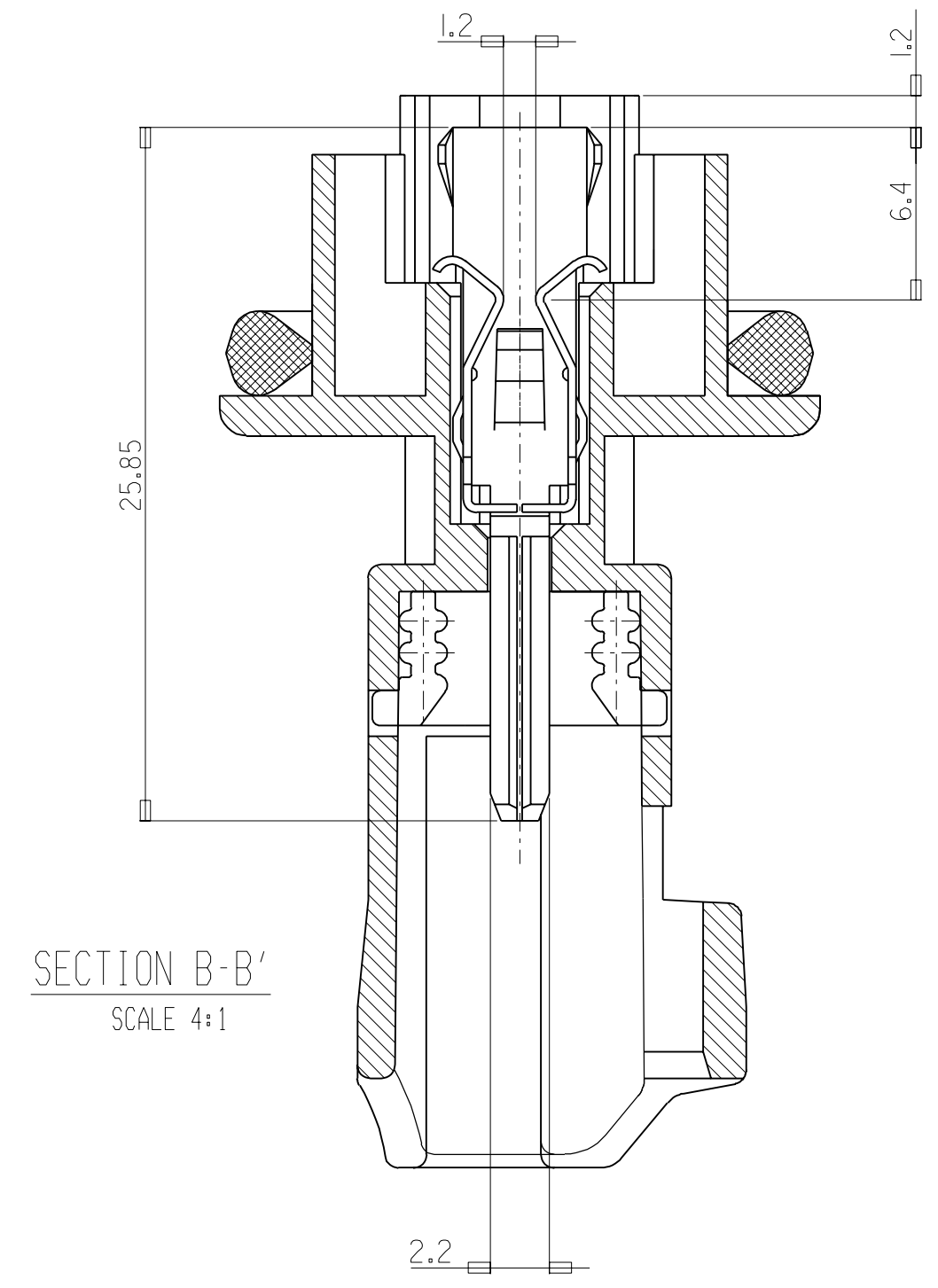
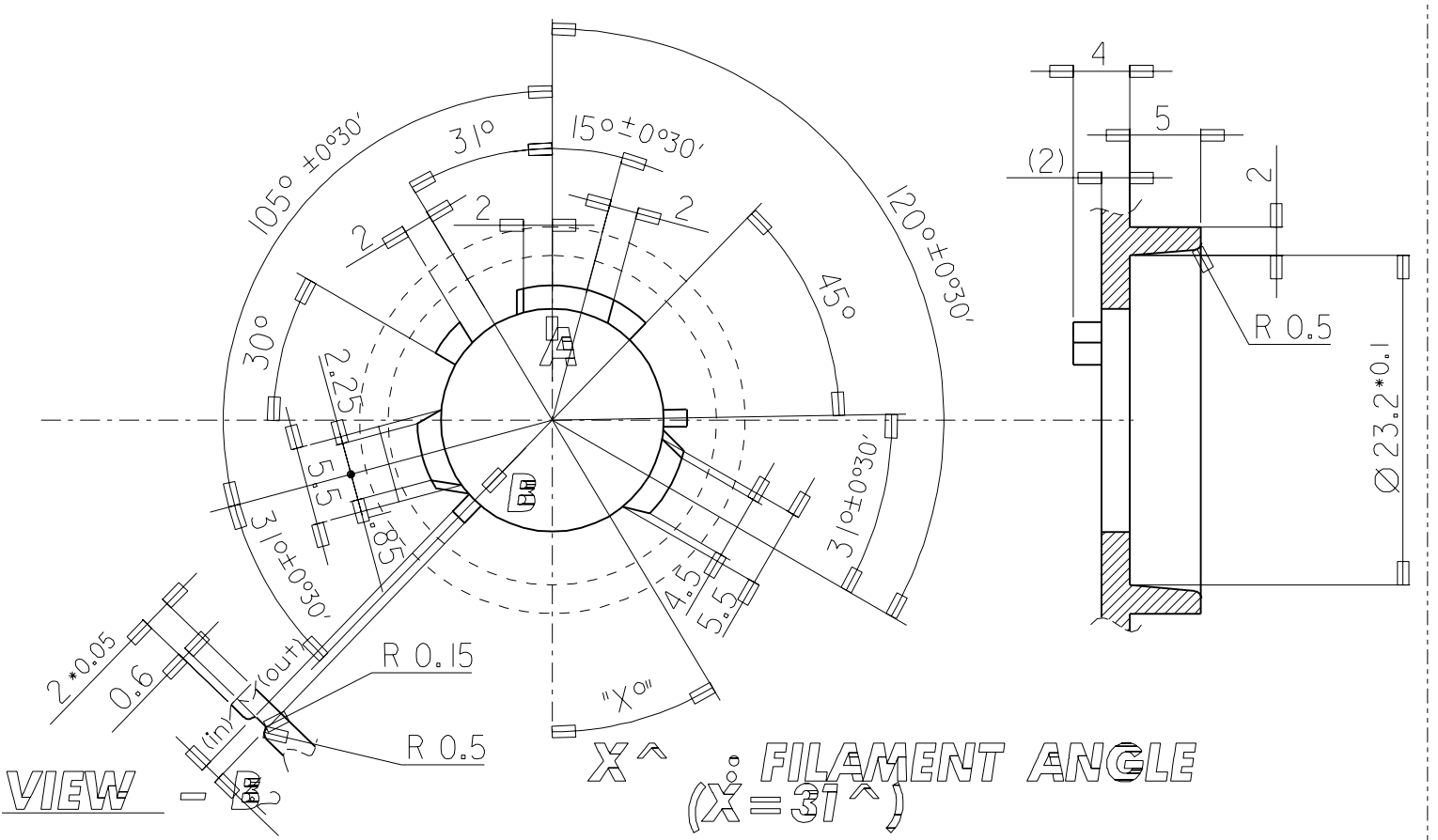
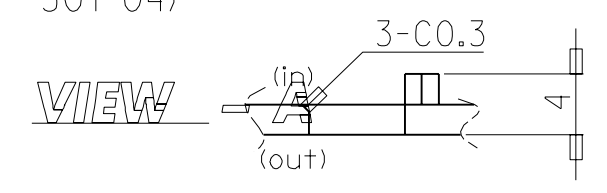


PROJECT NO. SD-35341-001
 DWG. NO. SD-35341-001
 SIMILAR ITEM
 PROJECT NO.
 DO NOT SCALE DRAWING DIMENSION IN METRIC



SOCKET PULG HOLE
 (SES-D-102 301-04)



NOTES

- MATERIAL : SOCKET PLUG POLYAMIDE, UL94V-0
 TERMINAL : COPPER-ALLOY, 0.3+
 OTHERS : SEE TABLE
- FINISH : SEE TABLE
- PRODUCT SPECIFICATION : PS 35340-001
- "F" DIMENSION
 (1) ECE SPECIFICATION : 11.7mm
 (2) KS : 13.3mm
- MATES WITH 35512
- GENERAL TOLERANCE

DIMENSION	TOLERANCE
LESS 4	±0.2
4 TO 8	±0.25
8 TO 16	±0.3
16 TO 32	±0.4
32 TO 63	±0.5
63 TO 126	±0.6
DRAFT ANGLE	LESS 1° 30'

GRAY	1	POLYAMIDE	SOCKET PLUG	355120200	35512-0200	6
12V 5W	1	-	BULB	-	-	5
RED	1	SILICON	INNER SEAL	359030011	35903-0011	4
DARK GRAY	1	RUBBER	O-RING	359030013	35903-0013	3
-	2	CU-ALLOY	TERMINAL	350756100	35075-6100	2
GRAY	1	POLYAMIDE	STS HEADER	353410290	35341-0290	1
-	-	-	SOCKET ASSY	353410210	35341-0210	A
FINISH	Q'TY	MATERIAL	DESCRIPTION	MATERIAL NO	ENG NO	NO

REVISED EC NO. KOR2001-0033 DRWN: YSOOK (m010412) CHK: J.K.OH APPR: C.W.LEE	QUALITY SYMBOLS MAJOR = CRITICAL =	GENERAL TOLERANCES: (UNLESS SPECIFIED)		SCALE 2:1	DESIGN UNITS <input checked="" type="checkbox"/> mm <input type="checkbox"/> INCH	DIMENSIONS: <input type="checkbox"/> mm <input type="checkbox"/> INCH <input checked="" type="checkbox"/> mm ONLY		SHT	REV				
		4 PLACES ±0.1	±0.1	3 PLACES ±0.1	±0.1	2 PLACES ±0.1	±0.1	1 PLACE ±0.1	±0.1	DRAWN BY & DATE Y.Soo.Kim 960105	TITLE: STS BULB SOCKET ASSY		
C	REV	ANGULAR: ± 1°		DRAWN BY & DATE Y.Soo.Kim 960105		MATERIAL NO. SEE TABLE		MATERIAL NO. SD35341.DGN		DRAWING NO. SD-35341-001		SHEET NO. 1 of 1	
		DRAFT WHERE APPLICABLE MUST REMAIN WITHIN DIMENSIONS		THIS DRAWING CONTAINS INFORMATION THAT IS PROPRIETARY TO MOLEX INCORPORATED AND SHOULD NOT BE USED WITHOUT WRITTEN PERMISSION.		MOLEX INCORPORATED KOREA		SIZE C		MX-A2			