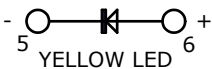
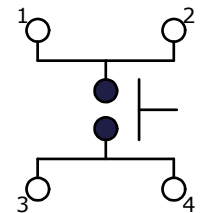
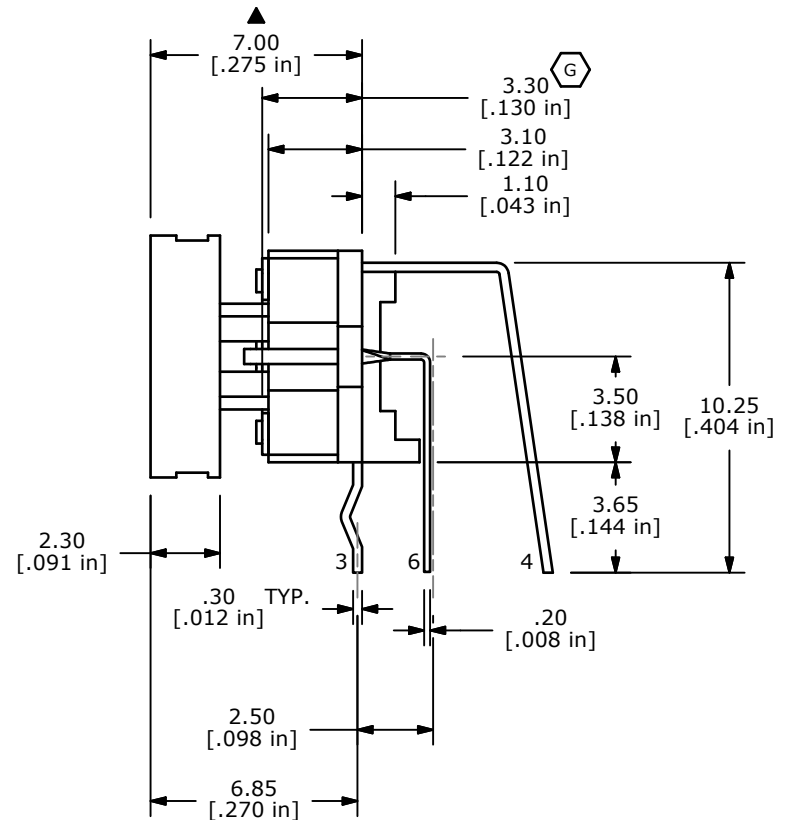
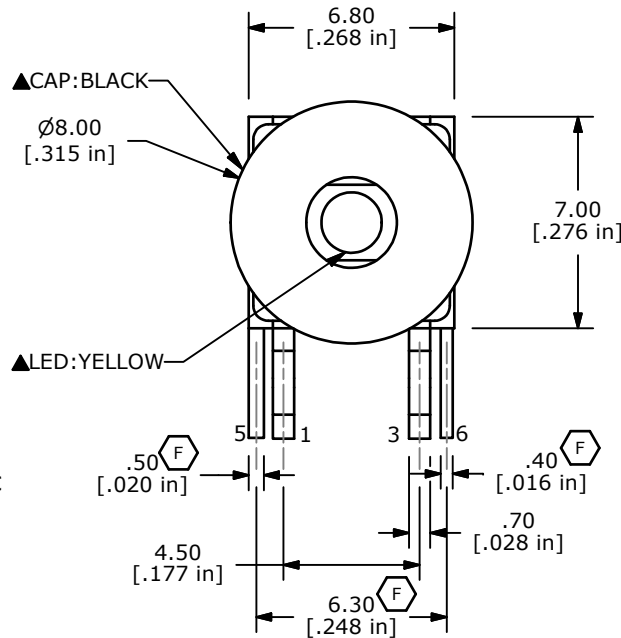
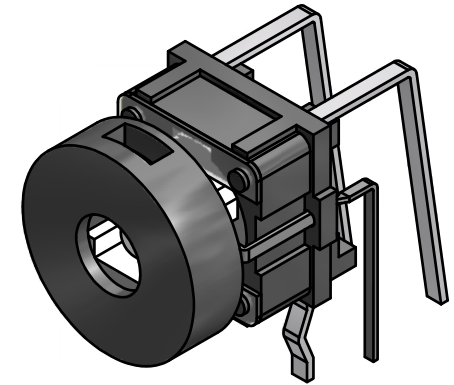


P.C.B. LAYOUT



CIRCUIT: SPST

LED SPECS	UNITS	YELLOW
FORWARD CURRENT	mA	20 TYP.
FORWARD VOLTAGE	V	2.0 TYP. - 2.5 MAX.
LUMINOUS INTENSITY	MCD	1800 TYP.



- NOTES:
1. ALL DIMENSIONS IN MM [INCH]
 2. GENERAL TOLERANCE: X.X=±0.4
X.XX=±0.25
 3. RATING: 12VDC @ 50mA
 4. CONTACT RESISTANCE: 100mΩ MAX.
 5. INSULATION RESISTANCE: 100MΩ MIN.
 - ▲6. OPERATING FORCE: 160± 50gf
 7. TRAVEL: 0.2±0.1mm
 8. OPERATING TEMPERATURE: -20°C TO 70°C
 9. OPERATING LIFE: 500,000 CYCLES (G)
 - ▲10. LED: YELLOW
 11. ▲ DENOTES CRITICAL PARAMETERS
 12. 2002/95/EC (ROHS) COMPLIANT
 13. PACKAGING: 100 PIECES PER TRAY (H)

H	21665	ADDED NOTE 13	10/23/14	AS
G	19956	CORRECT NOTES / LED CHART/ DIM	05/23/11	BMA
F	19542	UPDATE DRAWING	12/21/10	BGL
E	17280	ADD GENERAL TOLERANCE NOTE	5/11/07	TN
D	16026	UPDATE LED SPECS	5/16/06	CT
REV	PCR NO	DESCRIPTION	DATE	BY

THE INFORMATION CONTAINED IN THIS DOCUMENT IS PROPRIETARY TO E-SWITCH AND IS NOT TO BE COPIED OR TRANSFERRED



TITLE TL1260YQRBLK

SCALE	DATE	DR	DWG	REV
4:1	5/11/2007	TN	B200001	H