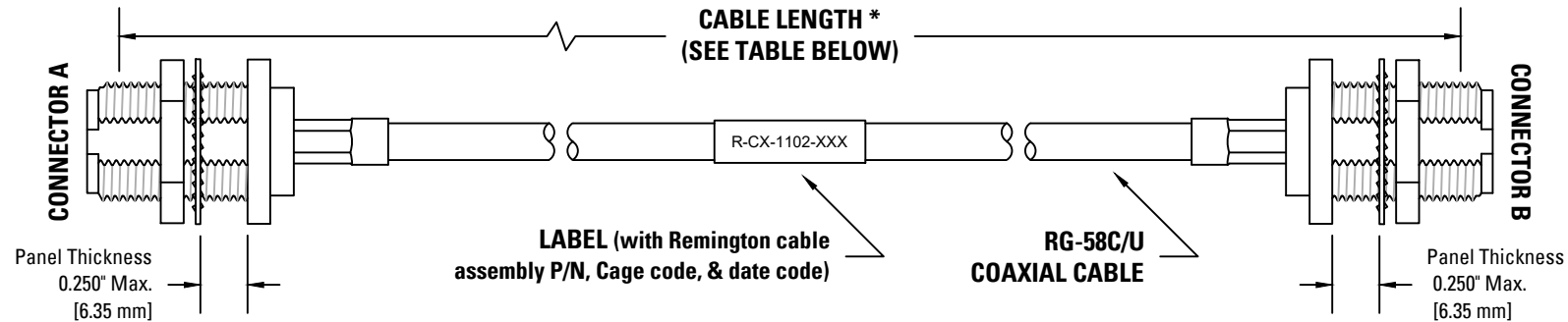


This RG-58C, N-Type (Female Bulkhead) to N-Type (Female Bulkhead) coax cable assembly by Remington Industries is ideal for general 50 Ω impedance signal transmission applications. These include many military & civil radio frequency (RF) operations such as cable television (CATV/MATV), telecommunications, WiFi/network antennas, laboratory benches, and ham/CB/other radio setups, as well as any other signal transfer applications in fields such as aerospace, scientific, and medical.

Attached to each end of the assembly is a female type N bulkhead (panel mount) style jack with a nickel-plated brass body and a gold-plated contact. The coaxial cable in between is RG-58C type, which is a widely used coax variety with a black, non-contaminating PVC jacket for additional physical protection.

- 100% Tested for continuity and a dielectric withstanding voltage of 1500 V_{RMS}
- See below for cable & connector details
- RoHS compliant



COAXIAL CABLE	
Type	RG-58C/U
Jacket	Black PVC (non-contaminating), Type IIA per MIL-C-17
Overall Diameter	0.195" [4.95 mm]

CONNECTOR A	
Type	N connector (Type N)
Gender	Female (Jack)
Style	Bulkhead panel mount (3/4" hex nut & lock washer)
Contact Material	Gold-plated phosphor bronze
Body Material	Nickel-plated brass
Mating Cycles	500

CONNECTOR B	
Type	N connector (Type N)
Gender	Female (Jack)
Style	Bulkhead panel mount (3/4" hex nut & lock washer)
Contact Material	Gold-plated phosphor bronze
Body Material	Nickel-plated brass
Mating Cycles	500

PART NUMBER	CABLE LENGTH
R-CX-1102-12	1 ft [0.30 m]
R-CX-1102-24	2 ft [0.61 m]
R-CX-1102-36	3 ft [0.91 m]
R-CX-1102-48	4 ft [1.22 m]
R-CX-1102-60	5 ft [1.52 m]
R-CX-1102-72	6 ft [1.83 m]
R-CX-1102-96	8 ft [2.44 m]

PART NUMBER	CABLE LENGTH
R-CX-1102-120	10 ft [3.05 m]
R-CX-1102-144	12 ft [3.66 m]
R-CX-1102-180	15 ft [4.57 m]
R-CX-1102-240	20 ft [6.10 m]
R-CX-1102-300	25 ft [7.62 m]
R-CX-1102-600	50 ft [15.24 m]
* From socket tip to socket tip	

GENERAL SPECIFICATIONS	
Impedance	50 Ω Nominal
Operating Frequency	5.0 GHz Maximum
Voltage Rating	1500 V Maximum
Temperature Rating	-40°C (-40°F) to 80°C (176°F)

R-CX-1102-XXX

N Bulkhead (F) to N Bulkhead (F)
RG-58C Coax Cable Assembly
Data Sheet

Remington Industries is proud to offer our Custom Wire Services

Our exclusive inventory of in-stock wire and ability to procure wire of all kinds makes us the perfect partner for wire purchasing and custom wire services. We are proud to provide essential, high quality wire for engineering projects, educational science projects, coil winding, and electronics applications.

Some of our many wire services include the following:

- Wire Re-Packaging
- Bifilar & Trifilar Windings
- Wire Processing
- Coil Winding
- Wire Procurement Services

If you have any questions or need any information about our **Wire Services**, feel free to contact us! It only takes one call to get experienced assistance.

Contact us by phone:
(815) 385-1987

Contact us by email:
sales@remingtonindustries.com

DATE | ISS. | REVISION | BY

Drawn by: AG 5/21/20
Drawing rev.: --

Remington
Industries

3521 N. Chapel Hill Rd
Johnsburg, IL 60051 USA
remingtonindustries.com