

**MODEL:** CPI-2825F-85PM | **DESCRIPTION:** PIEZO BUZZER INDICATOR

**FEATURES**

- fast pulse
- piezo
- internally driven
- panel mount with 150 mm lead wires


**SPECIFICATIONS**

| parameter             | conditions/description   | min   | typ   | max   | units |
|-----------------------|--------------------------|-------|-------|-------|-------|
| rated voltage         |                          |       | 12    |       | Vdc   |
| operating voltage     |                          | 4     |       | 28    | Vdc   |
| current consumption   | at rated voltage         |       |       | 10    | mA    |
| rated frequency       | at rated voltage         | 3,000 | 3,500 | 4,000 | Hz    |
| sound pressure level  | at 30 cm, rated voltage  | 85    |       |       | dB    |
| tone                  | fast pulse [3.0 ±30% Hz] |       |       |       |       |
| dimensions            | ∅28 x 25                 |       |       |       | mm    |
| weight                |                          |       | 9.5   |       | g     |
| material              | ABS                      |       |       |       |       |
| terminal              | wire leads               |       |       |       |       |
| operating temperature |                          | -20   |       | 60    | °C    |
| storage temperature   |                          | -30   |       | 70    | °C    |
| RoHS                  | yes                      |       |       |       |       |

Notes: 1. All specifications measured at 25±3°C, humidity at 60-70%, under 86-106 kPa pressure, unless otherwise noted.

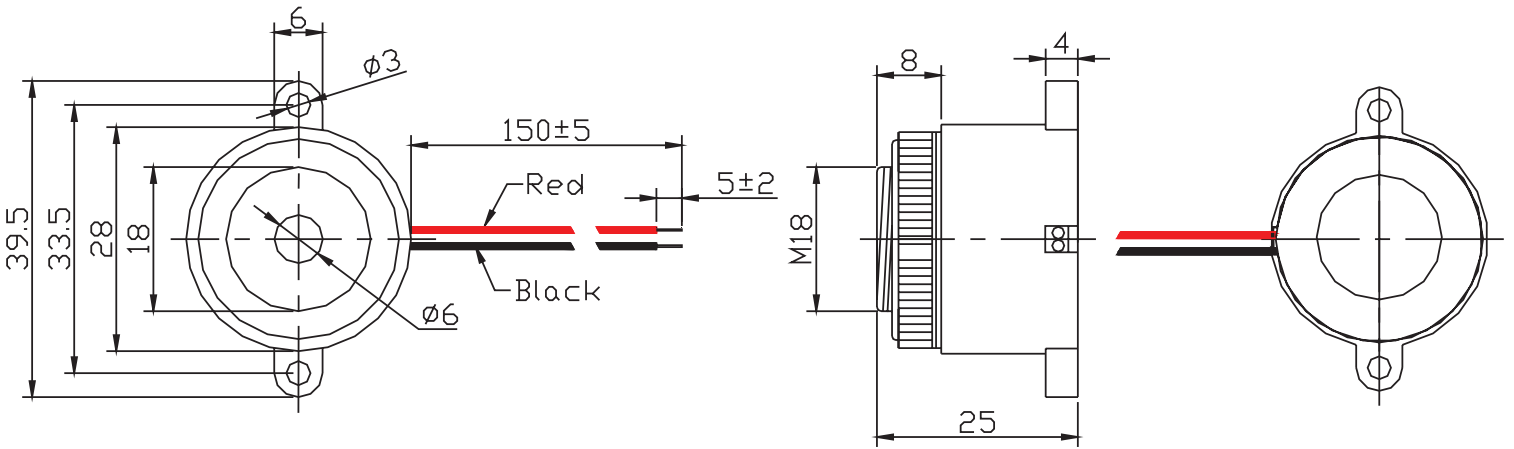
**SOLDERABILITY**

| parameter      | conditions/description | min | typ | max | units |
|----------------|------------------------|-----|-----|-----|-------|
| hand soldering |                        | 370 | 380 | 390 | °C    |

## MECHANICAL DRAWING

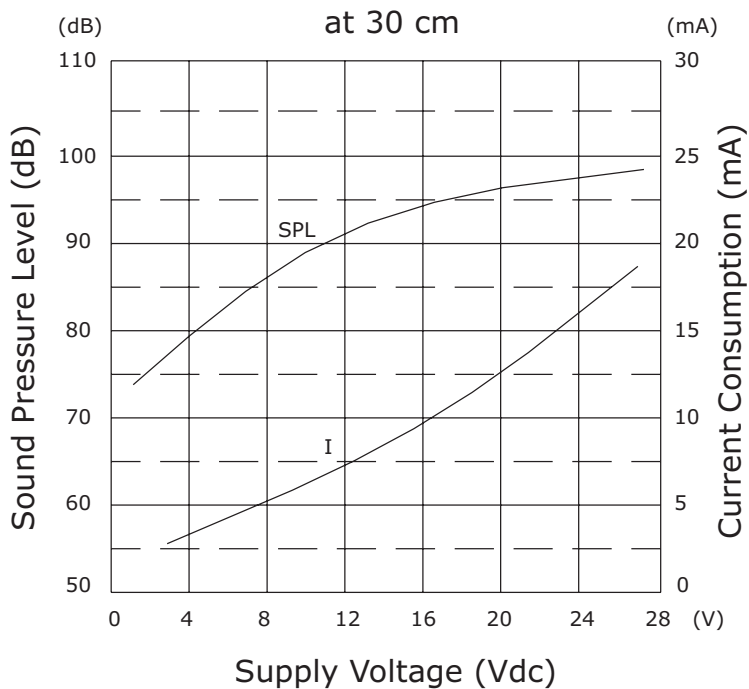
units: mm  
tolerance:  $\pm 0.5$  mm

wire: UL1007 26 AWG



## PERFORMANCE CURVES

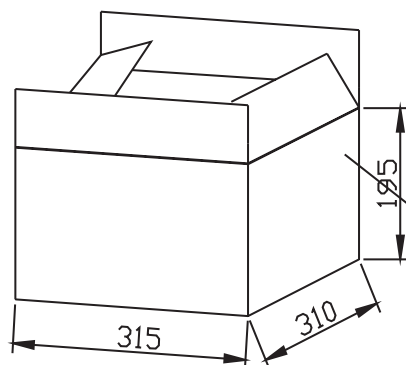
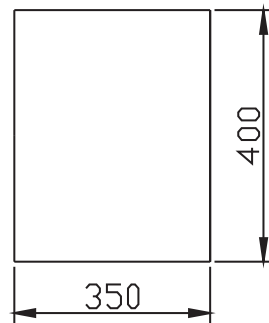
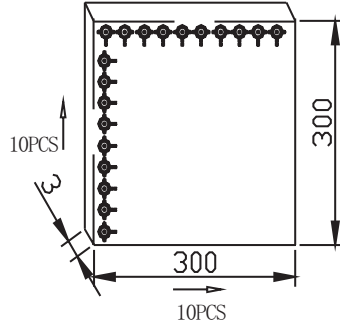
SPL: Voltage vs. Sound Pressure Level  
I: Voltage vs. Current Consumption



## PACKAGING

units: mm

Carton Size: 315 x 310 x 195 mm  
Carton QTY: 500 pcs per carton



MODEL:  
QTY: 500PCS  
N.W: 4.8Kg  
G.W: 5.8Kg  
SIZE:31.5\*31\*19.5  
LOT NO:

## REVISION HISTORY

| rev. | description                  | date       |
|------|------------------------------|------------|
| 1.0  | initial release              | 07/16/2019 |
| 1.01 | brand update                 | 12/19/2019 |
| 1.02 | logo, datasheet style update | 08/05/2022 |

The revision history provided is for informational purposes only and is believed to be accurate.



CUI Devices offers a one (1) year limited warranty. Complete warranty information is listed on our website.

CUI Devices reserves the right to make changes to the product at any time without notice. Information provided by CUI Devices is believed to be accurate and reliable. However, no responsibility is assumed by CUI Devices for its use, nor for any infringements of patents or other rights of third parties which may result from its use.

CUI Devices products are not authorized or warranted for use as critical components in equipment that requires an extremely high level of reliability. A critical component is any component of a life support device or system whose failure to perform can be reasonably expected to cause the failure of the life support device or system, or to affect its safety or effectiveness.

[cuidevices.com](http://cuidevices.com)