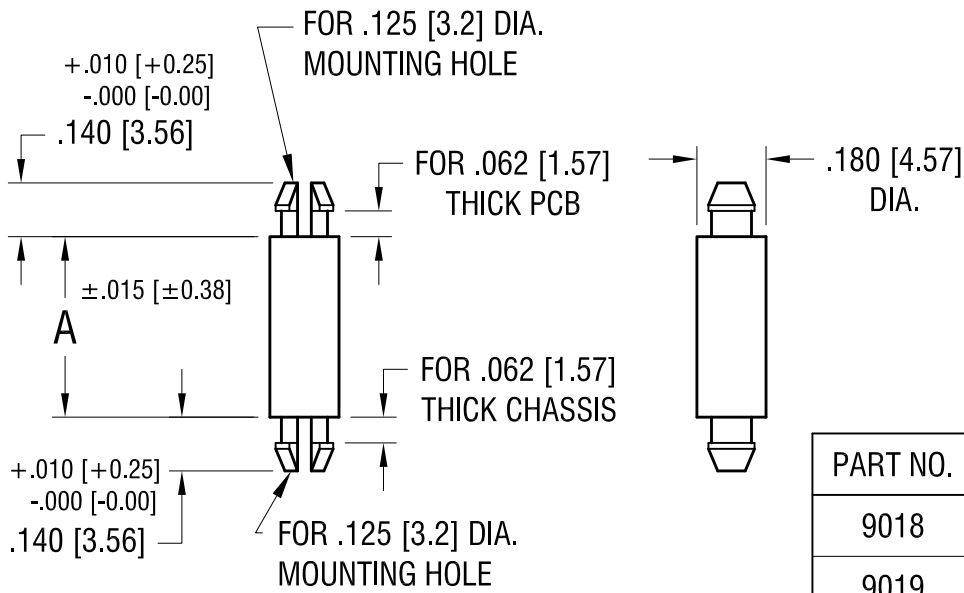
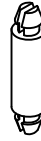


THIS DOCUMENT IS THE PROPERTY OF KEYSTONE ELECTRONICS CORP. AND SHALL NOT BE REPRODUCED, DISTRIBUTED OR USED AS A BASIS FOR MANUFACTURE WITHOUT PRIOR WRITTEN PERMISSION FROM KEYSTONE ELECTRONICS CORP.

ACTUAL SIZE
P/N 9022



PART NO.	'A' DIM.
9018	.125 [3.18]
9019	.187 [4.75]
9020	.250 [6.35]
9021	.375 [9.52]
9022	.500 [12.70]
9023	.625 [15.87]
9024	.750 [19.05]
9025	.875 [22.22]
9026	1.000 [25.40]

8.20.20	CHANGE AS PER ECN 20-071	B
3.25.15	CHANGE AS PER ECN 15-038	A
DATE	DESCRIPTION	REV.

KEYSTONE ELECTRONICS CORP.			
www.keyelco.com • NEW HYDE PARK, NY 11040 • Tel (516) 328-7500			
PART NAME PC LOCK-IN SUPPORT			
MATERIAL NYLON UL 94V-0			
FINISH NONE		DRN BY BOONE	DATE 8.29.06
		APP'D LN	SCALE 2X
TOLERANCES DECIMAL ANGULAR	INCH [MM] ± .005 [± 0.13]	CODE C	DWG NO. 9018-9026
UNLESS OTHERWISE SPECIFIED			