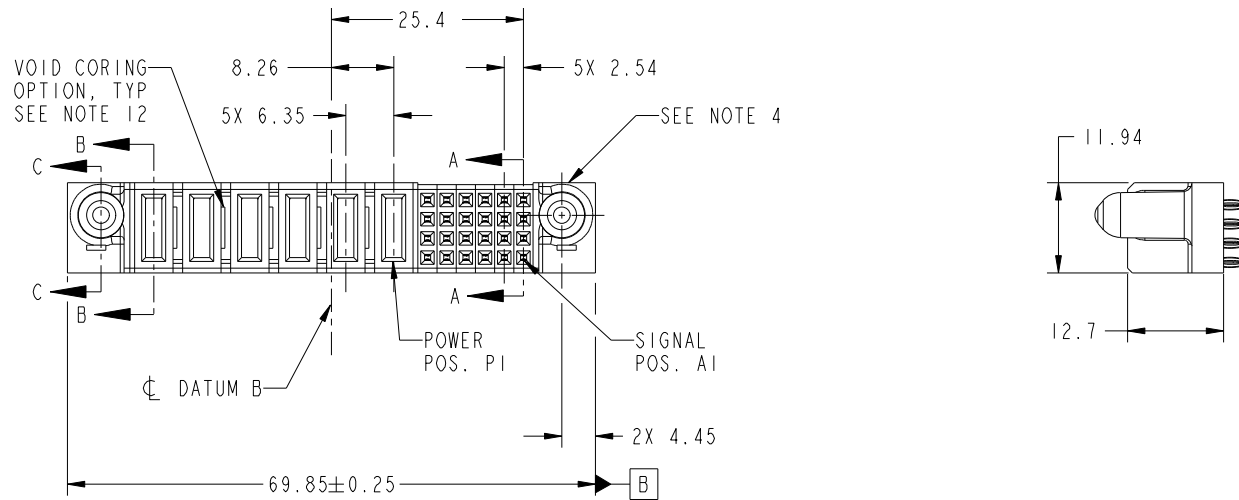


Tous droits strictement réservés. Reproduction ou communication a des tiers interdite sous quelque forme que ce soit sans autorisation écrite du propriétaire. Propriété de c.FCI. Droits de reproduction FCI.

All rights strictly reserved. Reproduction or issue to third parties in any form whatever is not permitted without written authority from the proprietor. Property of FCI. Copyright FCI.



PRODUCT NO. 51751-018-- NOTE: 3	ROWS D C B A	POWER						SIGNAL						E1	
		E2	P6	P5	P4	P3	P2	P1	6	5	4	3	2		1
			PF	PF	PF	PC	PC	PC	F	F	F	F	F	F	



CODE	DIM "M" MATING LENGTH	CONTACT TYPE
PF	[2.34]	POWER
F	[N/A]	SIGNAL
PC	[1.07]	POWER

mat'l code				SEE NOTES		tolerances unless otherwise specified		CUSTOMER		 www.fciconnect.com	
ltr	ecn no.	dr	date	linear	0.X ± 0.5	COPY		projection		title	
A	DG08-0231	W D	08/26/08	angles	0.XX ± 0.25	MM				24S + 6P VERTICAL PF RECEPT	
					0.XXX ± 0.1	dr		product family		code	
					0° ± 2°	enr		PwrBlade		213	
						chr		size		sheet	
						appd		A		1 of 4	
								51751-018			
sheet index	revision sheet	A	A	A	A						
		1	2	3	4						

A

B

A

B

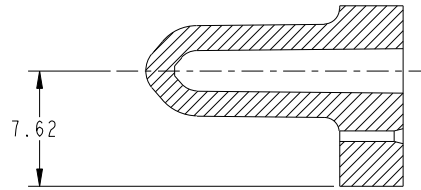
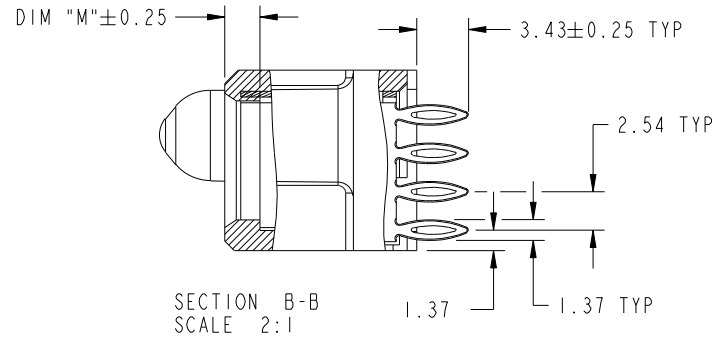
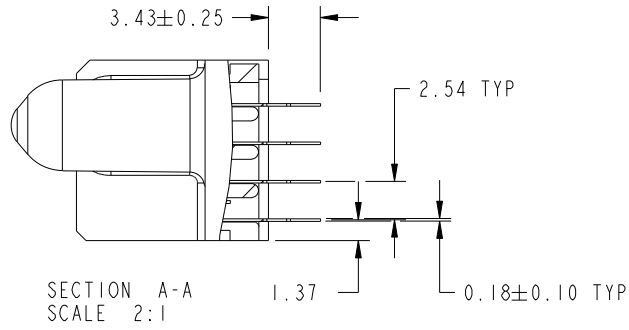
Tous droits strictement reserves. Reproduction ou communication a des tiers interdite sous quelque forme que ce soit sans autorisation ecrite du proprietaire. Propriete de c FCI. Droits de reproduction FCI.

All rights strictly reserved. Reproduction or issue to third parties in any form whatever is not permitted without written authority from the proprietor. Property of FCI. Copyright FCI.



PRODUCT NUMBER

51751-018\_  
NOTE: 3



mat'l code				tolerances unless otherwise specified		CUSTOMER		 www.fciconnect.com			
lfr	ecn no.	dr	date	linear	0.X ±0.5	projection		title			
A					0.XX ±0.25			24S + 6P		code	
					0.XXX ±0.1			VERTICAL PF RECEPT		213	
				angles	0° ±2°	 MM 1:1	product family		sheet		
				dr	Warren Du 08/19/08		PwrBlade		2 of 4		
				enrg	Jerome Chen 08/19/08		size	dwg no	A 51751-018		
				chr	Gary Hsieh 08/19/08						
				appd	Joseph Hsia 08/19/08						
sheet index	revision sheet										

cage code 2256

Pro/E

PDM: Rev: A

STATUS: Released

Printed: Dec 20, 2010

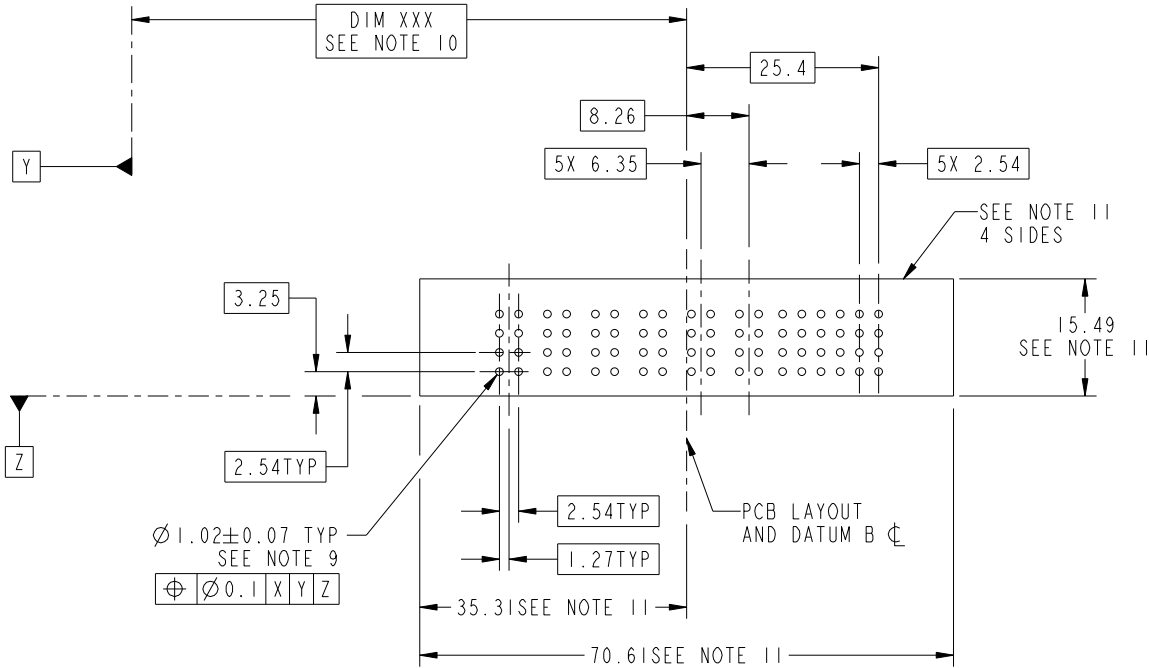
Tous droits strictement reserves. Reproduction ou communication a des tiers interdite sous quelque forme que ce soit sans autorisation ecrite du proprietaire. Propriete de c.FCI. Droits de reproduction FCI.

All rights strictly reserved. Reproduction or issue to third parties in any form whatever is not permitted without written authority from the proprietor. Property of FCI. Copyright FCI.



PRODUCT NUMBER

51751-018\_  
NOTE: 3



mat'l code				tolerances unless otherwise specified		CUSTOMER		FCI	
lir	ecn no.	dr	date	linear	0.X $\pm 0.5$	COPY		www.fciconnect.com	
A				linear	0.XX $\pm 0.25$	projection		title	
				angles	0.XXX $\pm 0.1$			24S + 6P	
					0° $\pm 2^\circ$	MM		VERTICAL PF RECEPT	
				dr	Warren Du 08/19/08	scale		product family	
				enr	Jerome Chen 08/19/08	1:1		PwrBlade	
				chr	Gary Hsieh 08/19/08			code	
				appd	Joseph Hsia 08/19/08			213	
sheet index		revision sheet				size		dwg no	
						A		51751-018	
								3 of 4	

1 | 2

Pro/E

PDM: Rev: A

STAT: Released

Printed: Dec 20, 2010

cage code 2856

4

Tous droits strictement reserves. Reproduction ou communication a des tiers interdite sous quelque forme que ce soit sans autorisation écrite du propriétaire. Propriete de c.FCI. Droits de reproduction FCI.

All rights strictly reserved. Reproduction or issue to third parties in any form whatever is not permitted without written authority from the proprietor. Property of FCI. Copyright FCI.



1 | 2

3

4

PRODUCT NUMBER

51751-018\_\_  
NOTE: 3

NOTES:

1. DIMENSIONS AND TOLERANCES ARE IN ACCORDANCE WITH ASME Y14.5M, 1994 UNLESS OTHERWISE SPECIFIED.

CONNECTOR NOTES:

- ② HOUSING MATERIAL: UL 94 V-0 GLASS FILLED HIGH-TEMP THERMOPLASTIC  
POWER CONTACT MATERIAL: COPPER ALLOY  
SIGNAL PIN MATERIAL: COPPER ALLOY
- 3. PLATING SPEC.  
51751-018, 51751-018LF PLATING SPEC. WAS SHOWN IN THE PRINT OF 10064183.
- ④ MANUFACTURER'S NAME, P/N, AND DATE CODE TO APPEAR ON THIS SURFACE.
- 5. PRODUCT SPECIFICATION GS-12-149.  
APPLICATION SPECIFICATION BUS-20-067.
- 6. PACKAGED IN TRAYS.

PCB NOTES:

- 7. ALL HOLE DIAMETERS ARE FINISHED HOLE SIZE.
- ⑧ MOUNTING HOLES, WHERE APPLICABLE, ARE UNPLATED.
- ⑨  $\varnothing 1.151 \pm 0.025$  DRILLED HOLES PLATED WITH  
0.008 MIN SnPb OR Sn OVER 0.03  
TO 0.08 Cu PLATING TO ACHIEVE  
 $\varnothing 1.02 \pm 0.07$  HOLE.
- ⑩ "DIM XXX" TO BE DETERMINED BY THE CUSTOMER.
- ⑪ CONNECTOR KEEP-OUT ZONE.
- 12. THE VOID CORING IN BETWEEN POWER MODULES, SIGNAL MODULES AND END MODULES ARE OPTIONAL AND THE SHAPE MAY BE DIFFERENT FOR OPTIMIZE THE MOLDING PROCESS. THE VOID CORING WILL NOT EFFECT TO PRODUCT FUNCTION.

mat'l code				tolerances unless otherwise specified		CUSTOMER		 www.fciconnect.com		
lfr	ecn no.	dr	date	linear	0.X ± 0.5		COPY		title 24S + 6P VERTICAL PF RECEPT	
A					0.XX ± 0.25		projection			
					0.XXX ± 0.1					
				angles	0° ± 2°				product family PwrBlade	
				dr	Warren Du	08/19/08	MM			code
				enrg	Jerome Chen	08/19/08				213
				chr	Gary Hsieh	08/19/08	scale 1:1			sheet
				appd	Joseph Hsia	08/19/08	size A			4 of 4
sheet index		revision sheet						product family PwrBlade		
								size A		
								product family PwrBlade		
								size A		
								product family PwrBlade		
								size A		
								product family PwrBlade		
								size A		
								product family PwrBlade		
								size A		
								product family PwrBlade		
								size A		
								product family PwrBlade		
								size A		
								product family PwrBlade		
								size A		
								product family PwrBlade		
								size A		
								product family PwrBlade		
								size A		
								product family PwrBlade		
								size A		
								product family PwrBlade		
								size A		
								product family PwrBlade		
								size A		
								product family PwrBlade		
								size A		
								product family PwrBlade		
								size A		
								product family PwrBlade		
								size A		
								product family PwrBlade		
								size A		
								product family PwrBlade		
								size A		
								product family PwrBlade		
								size A		
								product family PwrBlade		
								size A		
								product family PwrBlade		
								size A		
								product family PwrBlade		
								size A		
								product family PwrBlade		
								size A		
								product family PwrBlade		
								size A		
								product family PwrBlade		
								size A		
								product family PwrBlade		
								size A		
								product family PwrBlade		
								size A		
								product family PwrBlade		
								size A		
								product family PwrBlade		
								size A		
								product family PwrBlade		
								size A		
								product family PwrBlade		
								size A		
								product family PwrBlade		
								size A		
								product family PwrBlade		
								size A		
								product family PwrBlade		
								size A		
								product family PwrBlade		
								size A		
								product family PwrBlade		
								size A		
								product family PwrBlade		
								size A		
								product family PwrBlade		
								size A		
								product family PwrBlade		
								size A		
								product family PwrBlade		
								size A		
								product family PwrBlade		
								size A		
								product family PwrBlade		
								size A		
								product family PwrBlade		
								size A		
								product family PwrBlade		
								size A		
								product family PwrBlade		
								size A		
								product family PwrBlade		
								size A		
								product family PwrBlade		
								size A		
								product family PwrBlade		
								size A		
								product family PwrBlade		
								size A		
								product family PwrBlade		
								size A		
								product family PwrBlade		
								size A		
								product family PwrBlade		
								size A		
								product family PwrBlade		
								size A		
								product family PwrBlade		
								size A		
								product family PwrBlade		
								size A		
								product family PwrBlade		
								size A		
								product family PwrBlade		
								size A		
								product family PwrBlade		
								size A		
								product family PwrBlade		
								size A		
								product family PwrBlade		
								size A		
								product family PwrBlade		
								size A		
								product family PwrBlade		
								size A		
								product family PwrBlade		
								size A		
								product family PwrBlade		
								size A		
								product family PwrBlade		
								size A		
								product family PwrBlade		
								size A		
								product family PwrBlade		
								size A		
								product family PwrBlade		
								size A		
								product family PwrBlade		
								size A		
								product family PwrBlade		
								size A		
								product family PwrBlade		
								size A		
								product family PwrBlade		
								size A		
								product family PwrBlade		
								size A		
								product family PwrBlade		
								size A		
								product family PwrBlade		
								size A		
								product family PwrBlade		
								size A		
								product family PwrBlade		
								size A		
								product family PwrBlade		
								size A		
								product family PwrBlade		
								size A		
								product family PwrBlade		
								size A		
								product family PwrBlade		
								size A		
								product family PwrBlade		
								size A		
								product family PwrBlade		
								size A		
								product family PwrBlade		
								size A		
								product family PwrBlade		
								size A		
								product family PwrBlade		
								size A		
								product family PwrBlade		
								size A		
								product family PwrBlade		