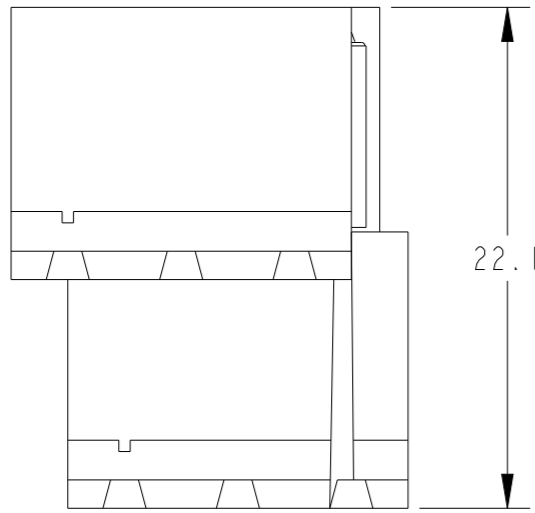
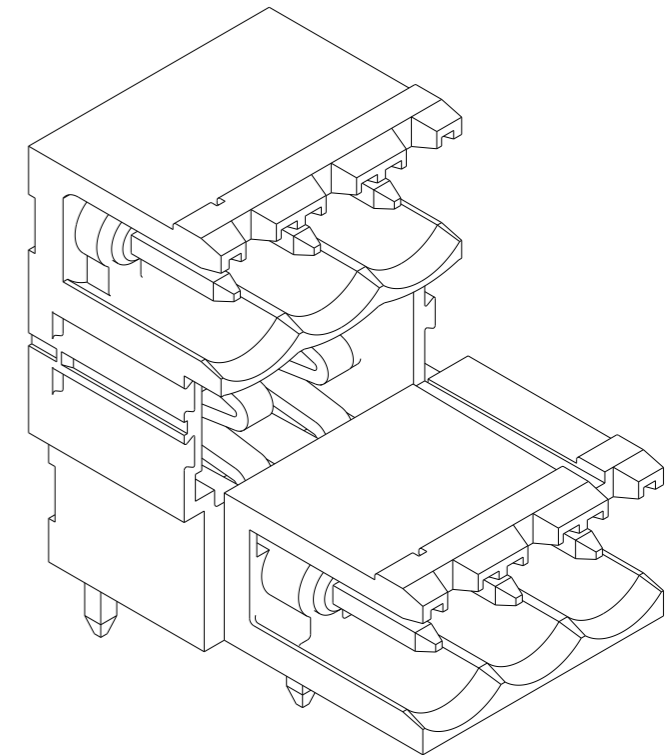


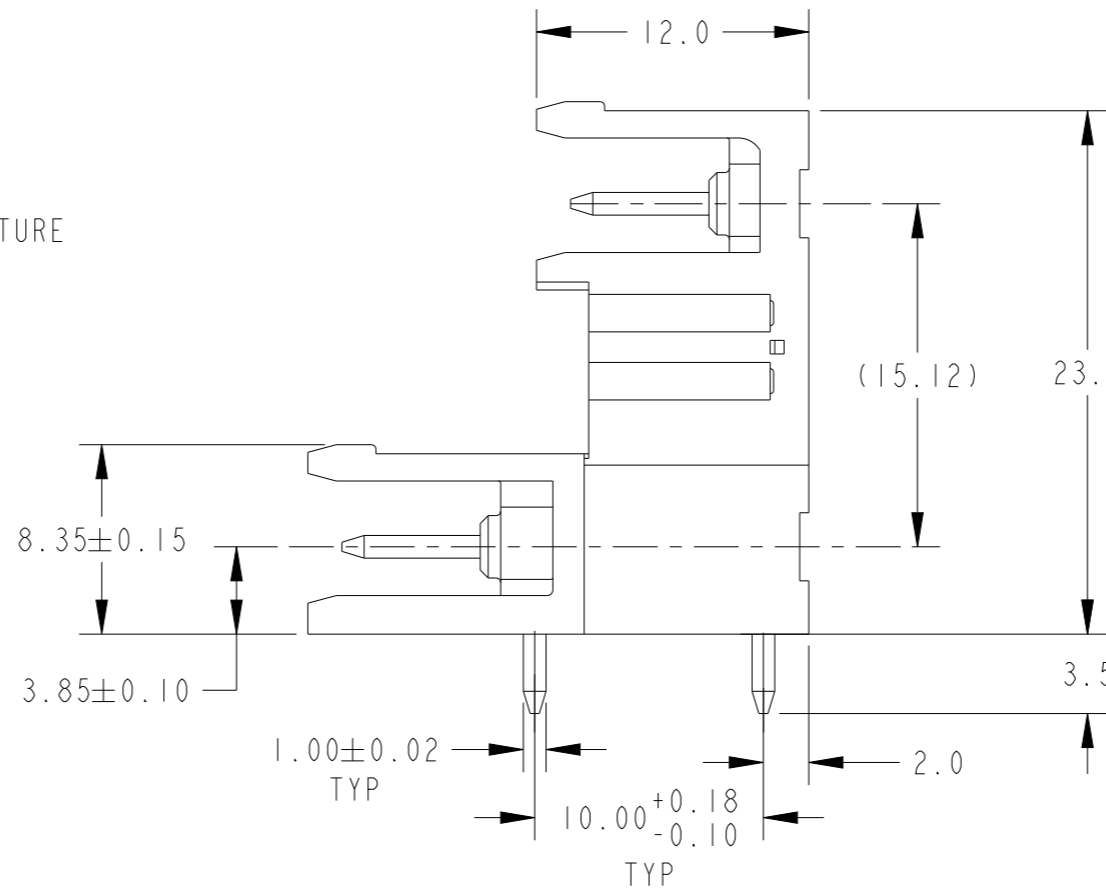
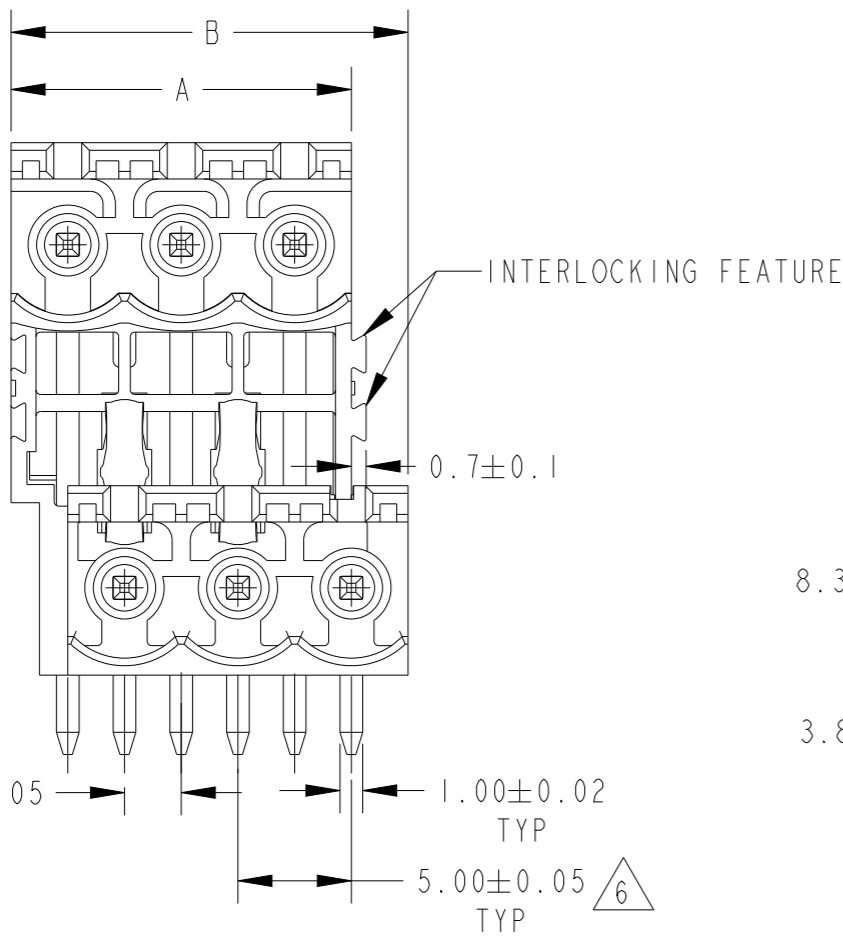
P	LTR	DESCRIPTION	DATE	DWN	APVD
	D	DESIGN IMPROVEMENT IN NEW MOLD	15JUN2020	DV	PS
	E	REVISED AS PER PCN: E-20-012263	12OCT2021	SCB	SS



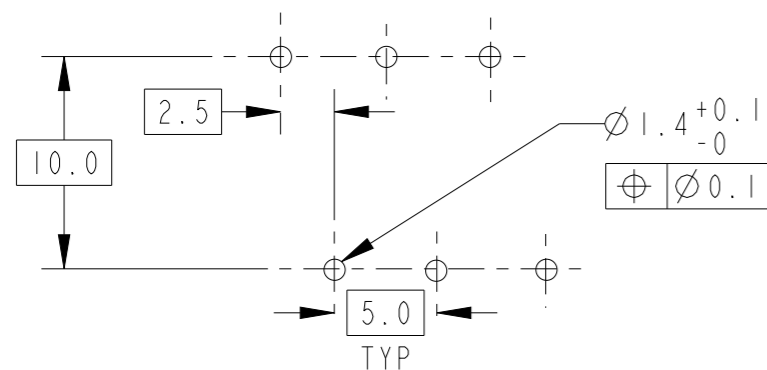
- 1 MATERIALS AND FINISH
HOUSING: HIGH TEMPERATURE POLYAMIDE, UL 94V-0 RATED, COLOR GREEN.
TERMINAL: COPPER ALLOY, TIN PLATED.
- 2 SUITABLE FOR 1,6-2,4mm PC BOARD THICKNESS.
- 3 ELECTRICAL
RATED VOLTAGE : 300 V
RATED CURRENT : 12 A
CONTACT RESISTANCE : < 15 mΩ
INSULATION RESISTANCE: > 1000 MΩ (500V DC)
- 4 OPERATING TEMPERATURE RANGE: -40°C TO +110°C
- 5 END-TO-END STACKABLE WITHOUT LOSS OF CENTERLINE SPACING.
- 6 NOT CUMULATIVE TOLERANCE.



284052-3 AS SHOWN



RECOMMENDED PC BOARD LAYOUT



DIM. "A"	DIM. "B"	NO OF POS	PART NUMBER
15.00	17.50	3	284052-3
10.00	12.50	2	284052-2

THIS DRAWING IS A CONTROLLED DOCUMENT.		DWN 04JAN2002 E. ZANOLINI			
DIMENSIONS: mm		CHK 04JAN2002 E. ZANOLINI			
TOLERANCES UNLESS OTHERWISE SPECIFIED:		APVD 04JAN2002 D. BIEVENOUR		NAME TERMINAL BLOCK MULTIPLE HEADER ASSEMBLY 90 DEG STACKING W/INTERLOCK 5.0mm PITCH	
0 PLC ±.3		PRODUCT SPEC		SIZE	
1 PLC ±.25		APPLICATION SPEC		CAGE CODE	
2 PLC ±.25		114-20079		DRAWING NO	
3 PLC ±.		WEIGHT		RESTRICTED TO	
4 PLC ±.		-		-	
ANGLES ±2°		CUSTOMER DRAWING		SCALE 5:1	
FINISH		A3		SHEET 1 OF 1	
MATERIAL		G=284052		REV E	