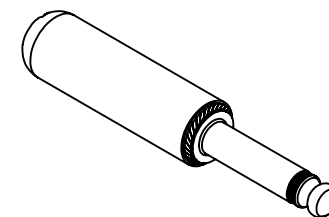
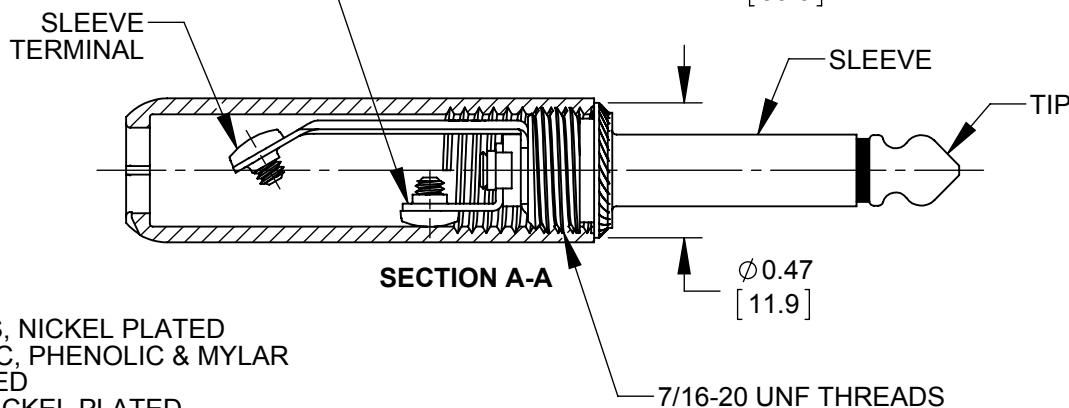
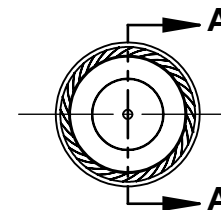
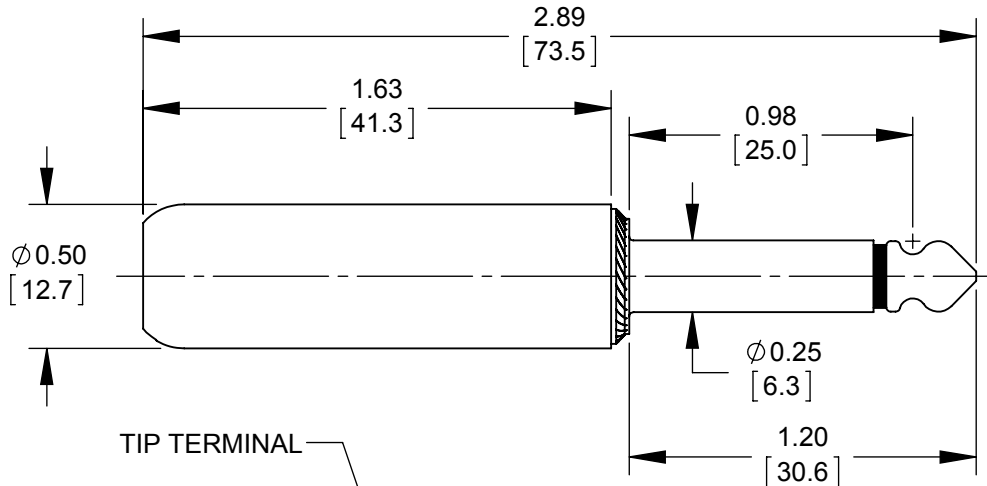


Ø0.297 REF
[7.54]
HANDLE I.D.



NOTES:

1. MATERIALS:
TIP ROD & PLUG BODY - BRASS, NICKEL PLATED
INSULATORS - THERMOPLASTIC, PHENOLIC & MYLAR
TERMINALS - BRASS, TIN PLATED
TERMINAL SCREWS - STEEL, NICKEL PLATED
HANDLE - THERMOPLASTIC, RED
2. HANDLE & SCREWS SHIPPED ASSEMBLED.
3. THIS PRODUCT IS RoHS COMPLIANT.

CUSTOMER DRAWING

					THIS DRAWING DESCRIBES A DESIGN CONSIDERED PROPRIETARY IN NATURE, DEVELOPED AND MANUFACTURED BY SWITCHCRAFT INC. AND IS RELEASED ON A CONFIDENTIAL BASIS FOR IDENTIFICATION PURPOSES ONLY.						
					SIZE	WIDTH	MULT	LBS/M	TEMPER		
					UNLESS OTHERWISE SPECIFIED			FINISH			
					1. ALL DIMENSIONS IN INCHES [mm]			MATERIAL			
					- TWO PLACE DECIMALS ±0.02 [0.5]			SPEC No.			
					- THREE PLACE DECIMALS ±0.005 [0.13]			SCALE			
					FIRST USED ON			1.5:1			
					DATE DRAWN	BY	CHKD TO	APVD			
					11-14-16	TO	11-14-16	TJK			
					NAME					PART No.	
					2 CONDUCTOR					245X	
					COMMERCIAL PHONE PLUG, RoHS					REV	
										A	
A	27792	10-14-16	TO	TJK	DO NOT SCALE DRAWING						
REV	ECO NUMBER	DATE	BY	APVD							
REVISIONS											

SolidWorks CAD File

