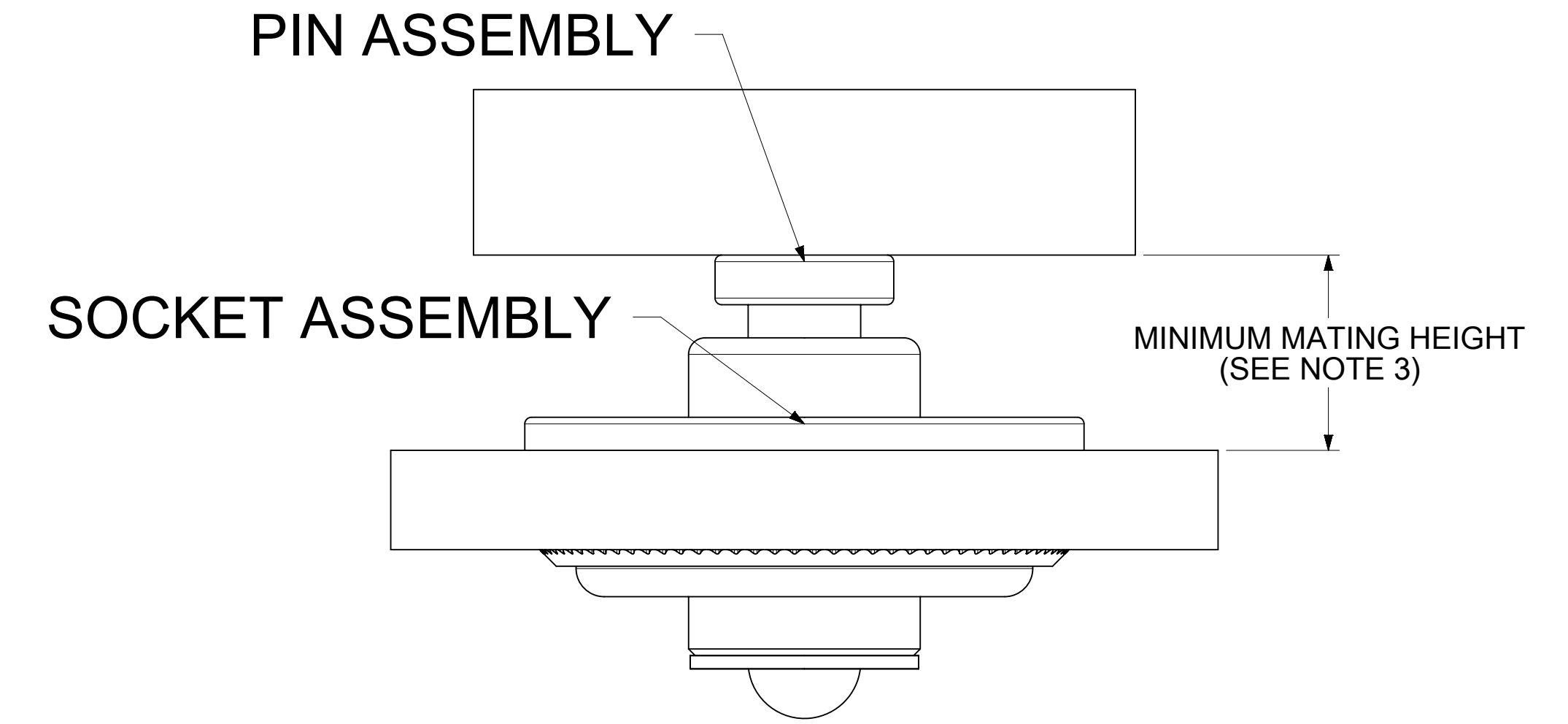


SECTION A-A



MATING PROFILE

NOTES:

1. MATERIALS: COPPER ALLOY
RETENTION CAP: STAINLESS STEEL
2. PLATING:
 - i. CONTACT AREA: GOLD.
 - ii. REST AREA: SILVER WITH TARNISH INHIBITOR
3. MATES WITH THE STANDARD PIN DRAWINGS:
 - i. 3.4MM SMT DRAWING 2032631134-SD, MIN MATING DISTANCE 5.9MM
 - ii. 3.4MM PRESS FIT DRAWING 2032630034-SD, MIN MATING DISTANCE 6.15MM
4. PRODUCT SPECIFICATION: 2043130018-PS
5. APPLICATION SPECIFICATION: 2043130018-AS
6. PACKAGING SPECIFICATION: 2043130018-PK
7. SILVER COMPONENTS WILL BE SUPPLIED TARNISH FREE BUT MAY TARNISH OVER TIME.
8. DATE CODE TO BE LASER MARKED APPROXIMATELY WHERE SHOWN USING DDYY FORMAT

THIS DRAWING CONTAINS INFORMATION THAT IS PROPRIETARY TO MOLEX ELECTRONIC TECHNOLOGIES, LLC AND SHOULD NOT BE USED WITHOUT WRITTEN PERMISSION											
DIMENSION UNITS	SCALE	CURRENT REV DESC: UPDATED THE TITLE BLOCK									
mm	NTS	molex									
GENERAL TOLERANCES (UNLESS SPECIFIED)		3.4MM CENTRALITY TOP ENTRY PRESS-FIT SOCKET WITH FLOAT IN TRAY									
ANGULAR TOL ± °		PRODUCT CUSTOMER DRAWING									
4 PLACES ±		EC NO: 747243									
3 PLACES ±		DRWN: SACHIK7		2023/02/28							
2 PLACES ± 0.15		CHK'D: SCS02		2023/04/25							
1 PLACE ± 0.25		APPR: HTHYAGARAJ		2023/04/26							
0 PLACES ±		INITIAL REVISION:									
DRAFT WHERE APPLICABLE MUST REMAIN WITHIN DIMENSIONS		DRWN: JJONIAK		2017/08/04							
THIRD ANGLE PROJECTION		APPR: BPISZCZOR		2019/05/30							
DRAWING		SERIES		DOCUMENT NUMBER		DOC TYPE		DOC PART		REVISION	
D-SIZE		204313		2043130018-SD		PSD		000		B2	
MATERIAL NUMBER		CUSTOMER		MATERIAL NUMBER		CUSTOMER		SHEET NUMBER		SHEET NUMBER	
2043130018		GENERAL MARKET		2043130018		GENERAL MARKET		1 OF 1		1 OF 1	