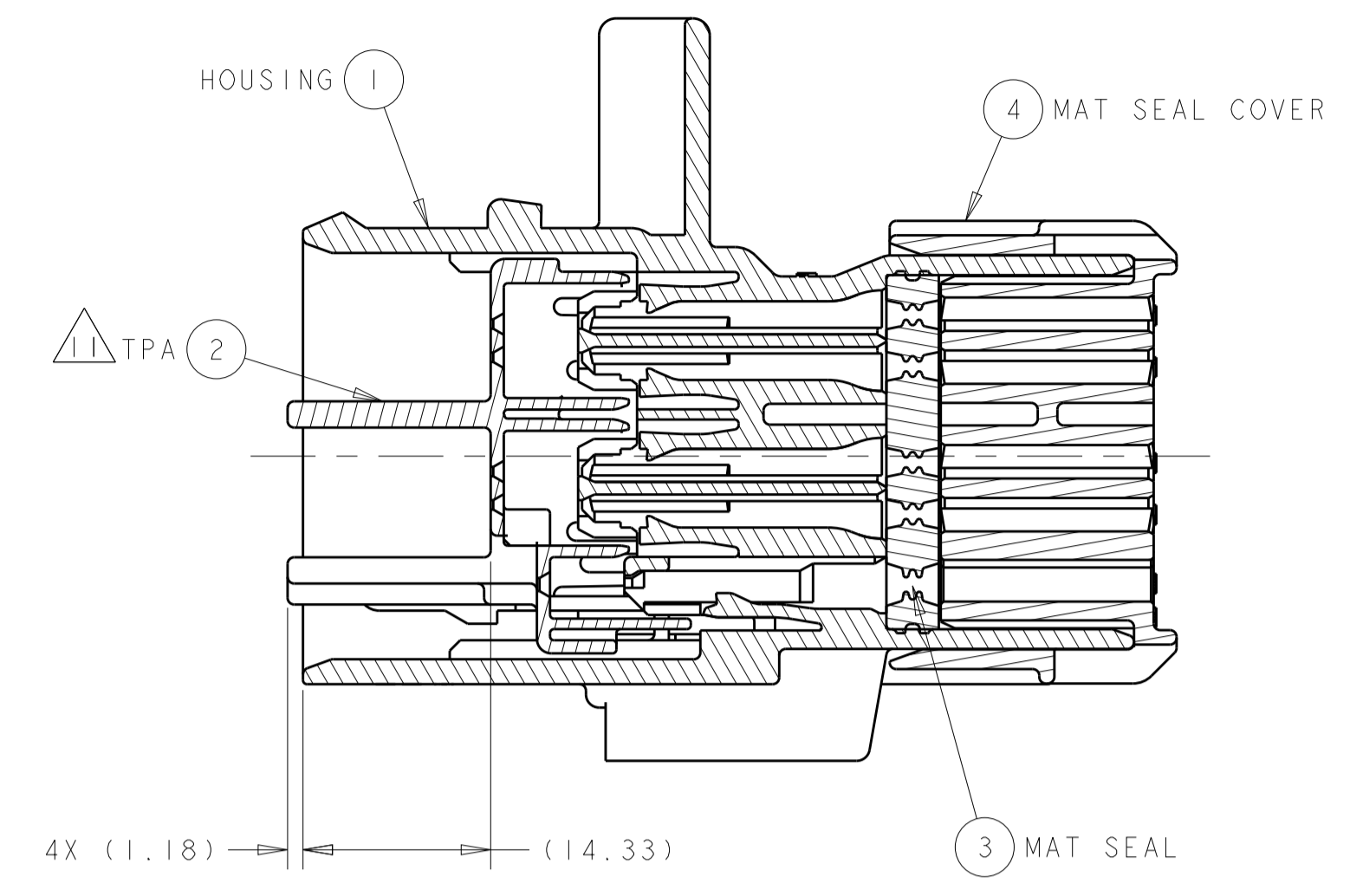
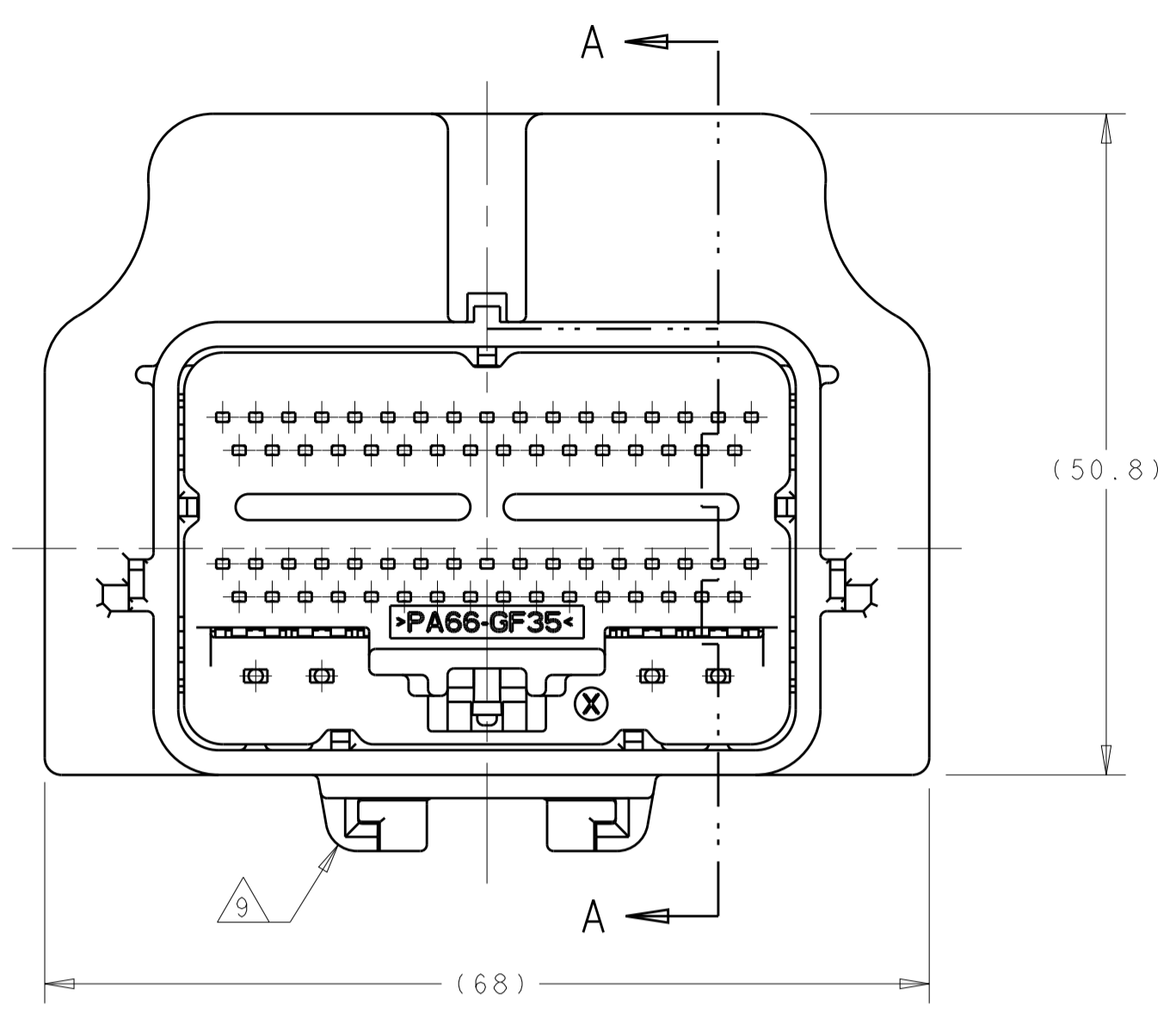
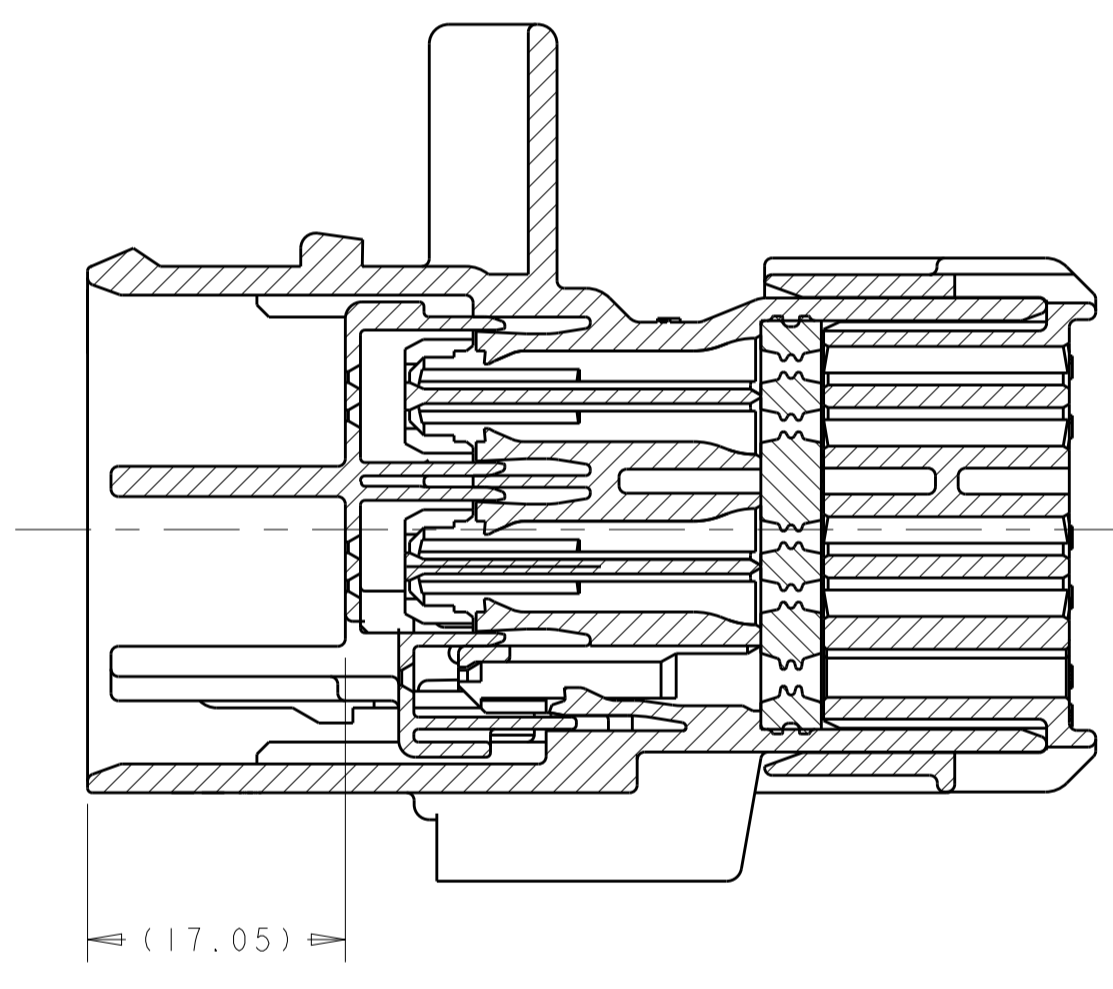
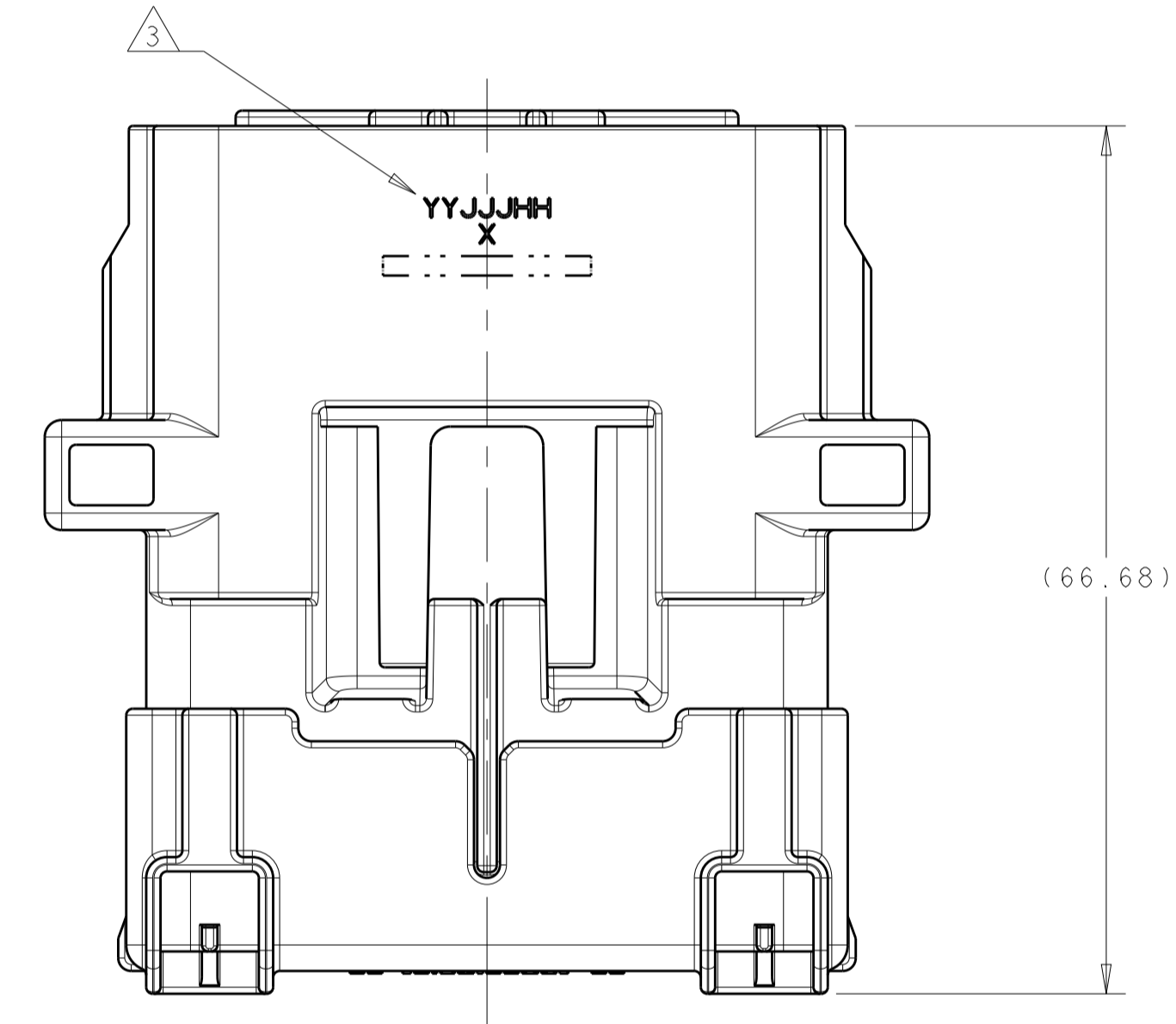


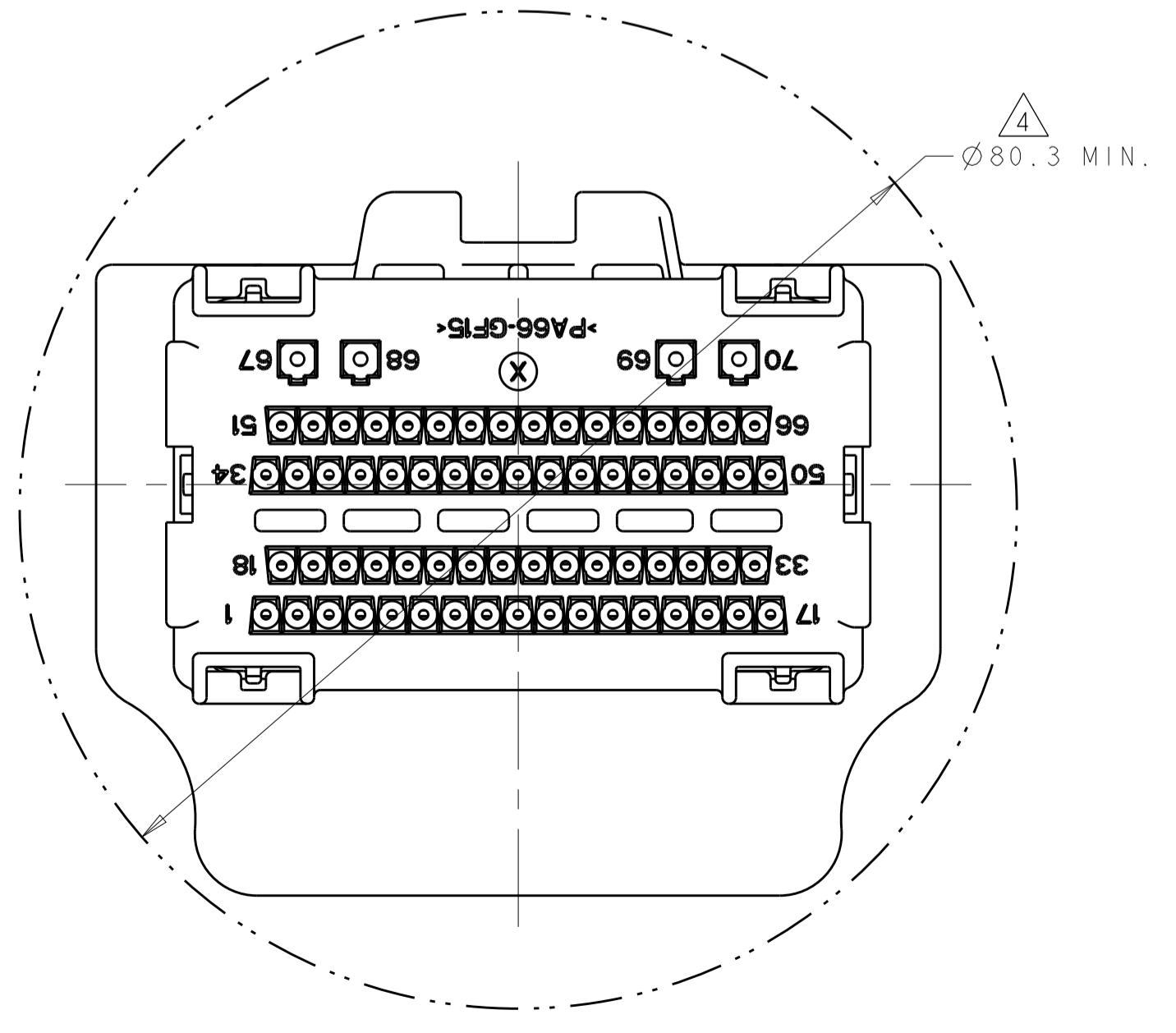
REVISIONS				
P.	LTN	DESCRIPTION	DATE	OWN APVD
D4		REVISED PER ECO-12-002457	07FEB2012	DLD DCM
D5		REVISED PER ECO-14-015175	16OCT2014	DLD DCM
D6		REVISED PER ECO-20-012739	24SEP2020	AP CM



SECTION A-A
 TPA SHOWN IN ITS SHIPPING
 POSITION FROM TYCO ELECTRONICS



SECTION A-A
 TPA SHOWN IN ITS SHIPPING
 POSITION FROM THE HARNESS
 ASSEMBLY PLANT.



1. PART NUMBER 1438726-1 SHOWN ON THE DRAWING.
2. THE TPA IS SHIPPED IN ITS PRE-LATCHED POSITION.
3. TRACEABILITY CODE (YY = TWO DIGIT YEAR, JJJ = THREE DIGIT JULIAN DAY, HH = TWO DIGIT MILITARY HOUR) AND CUSTOMER PART NUMBER PRINTED IN THIS LOCATION AT ASSEMBLY.
4. MINIMUM FEED THROUGH CONDITION WITH 1.0mm CLEARANCE ALL AROUND.
5. APPLICABLE 0.64 TE CONNECTIVITY (TE) TERMINAL PART NUMBERS (SOLD SEPARATELY).
 FOR TIN APPLICATION: SEE DRAWING 1488220 FOR APPLICABLE PART NUMBERS, WIRE SIZES, AND REELING OPTIONS.
 FOR GOLD APPLICATIONS: SEE DRAWING 1488208 FOR APPLICABLE PART NUMBERS, WIRE SIZES, AND REELING OPTIONS.
6. APPLICABLE 1.5 MOLEX TERMINALS PART NUMBERS (SOLD SEPARATELY). 33000-0002 (TIN) WITH WIRE SIZES 16-20AWG OR METRIC EQUIVALENT.
7. PART MATES WITH TE PART NUMBER 1438136-X (SOLD SEPARATELY).
8. OPTIONAL MATING WIRESHIELD PART NUMBER: 1488374-1 (SOLD SEPARATELY)
9. OPTIONAL MATING DELPHI RETENTION CLIP PART NUMBER: 15439357 (SOLD SEPARATELY).
10. THIS IS A 3 POSITION TPA.
 STAGE 1: AS SHIPPED TO HARNESS SUPPLIER.
 STAGE 2: AS SHIPPED TO OEM.
 STAGE 3: AS ASSEMBLED IN VEHICLE.
11. TPA FORCE REQUIREMENTS FOR THIS PRODUCT ARE AS FOLLOWS:
 MOVE STAGE 1 TO STAGE 2: 68N MAX
 MOVE STAGE 2 TO STAGE 1: 15N MIN, 50N MAX.
 MOVE STAGE 1 TO OFF: 15N MIN
12. REFERENCE TE INSTRUCTION SHEET 408-10054.

SEE SHEET 2 FOR
 THE BILL OF MATERIALS

THIS DRAWING IS A CONTROLLED DOCUMENT. DIMENSIONING AND TOLERANCING PER ASME Y14.5M-2009		OWN: M. FORLSKA 04NOV2004 CHK: G. MARTIN 08NOV2004 APVD: G. MARTIN 08NOV2004	TE Connectivity ASSEMBLY, TERMINAL HOUSING, 70 WAY, SEALED INLINE HYBRID
DIMENSIONS: mm	TOLERANCES UNLESS OTHERWISE SPECIFIED: 0 PLC ± 1 PLC ±0.3 2 PLC ±0.10 3 PLC ± 4 PLC ± ANGLES ±1°	NAME: PRODUCT SPEC: APPLICATION SPEC: SIZE: CAGE CODE: DRAWING NO: RESTRICTED TO: WEIGHT: CUSTOMER DRAWING	
MATERIAL: FINISH:		SCALE: 2:1 SHEET 1 OF 2 REV: D6	A100779 ©=1438726 CUSTOMER DRAWING

