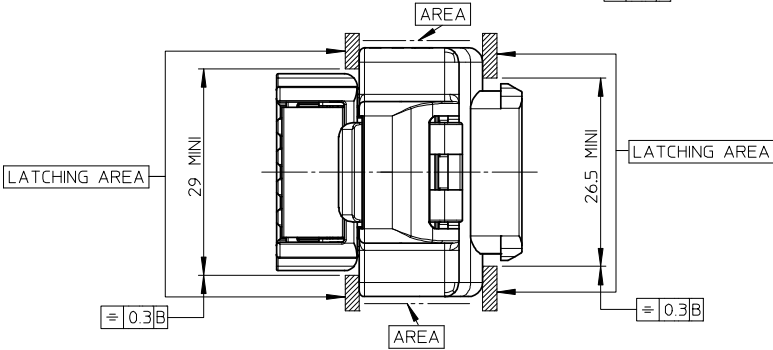
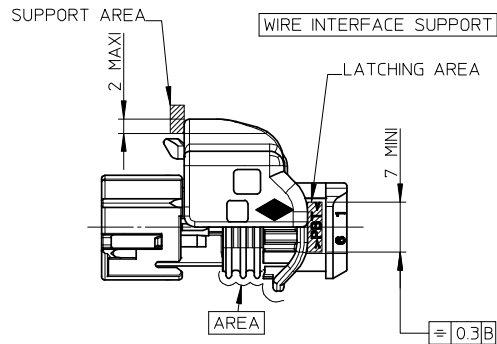
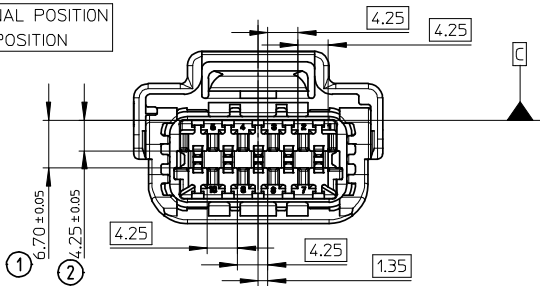


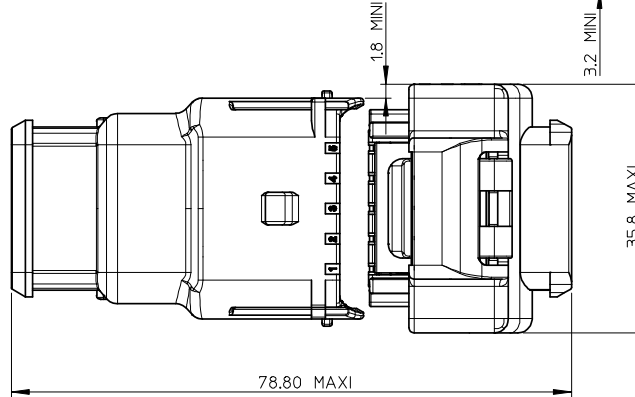
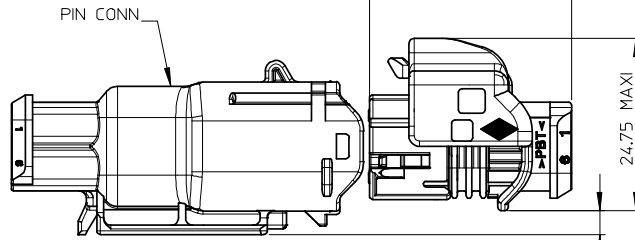
2	GREY	SICMA RCPT CONN SLD W/ 1.5 GRY 10CKT	0987881108
1	BLACK	SICMA RCPT CONN SLD W/ 1.5 BLK 10CKT	0987881101
CODING	COLOR	DESCRIPTION	MATERIAL NUMBER



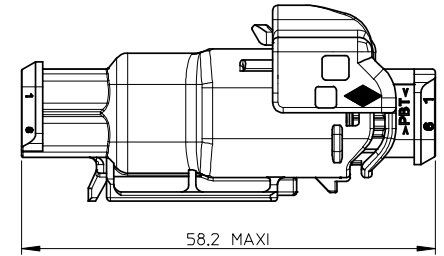
SICMA 2 TERMINAL POSITION AND CAVITIES POSITION



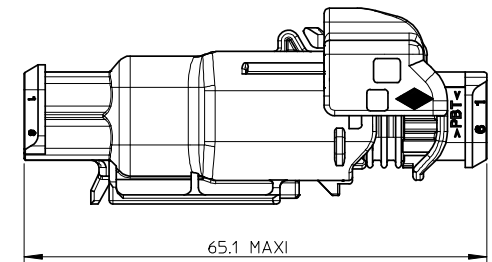
MATING / UNMATING OVERALL DIMENSIONS



OVERALL DIMENSION AFTER LOCK



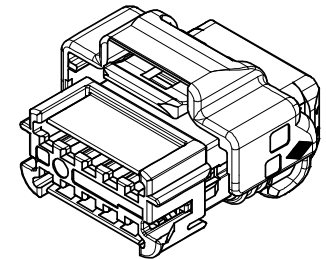
OVERALL DIMENSION BEFORE LOCK



NOTES:

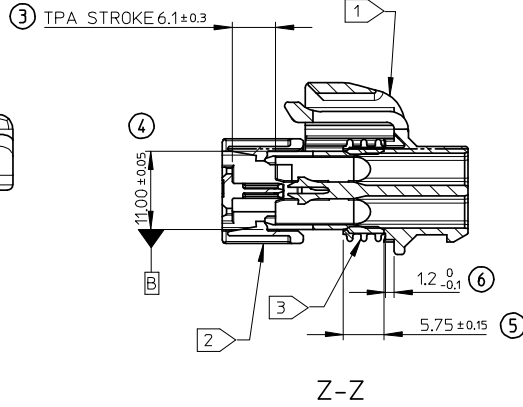
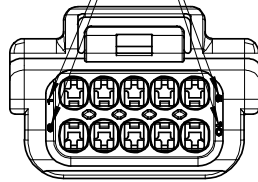
1. MATERIALS: SEE CHART
2. FINISHES: N/A
3. PRODUCT SPECIFICATION: AS-98788-001
4. PACKAGING INFORMATION: PK-98788-002
5. MATES WITH: 0987891101(BLACK), 0987891108(GREY)
6. 2MM2 WIRES NOT ALLOWED FOR THIS PRODUCT
7. CONNECTOR TIGHTENING STRENGTH ON WIRING INTERFACE:
  - 200 TO 250 N WITH PUSH TEST
  - 50 TO 250 WITHOUT PUSH TEST
8. AREAS SHOWN AS: AREA
  - DO NOT LOCK WIRING INTERFACE
  - DO NOT DAMAGE THE PART

ISOMETRIC VIEW



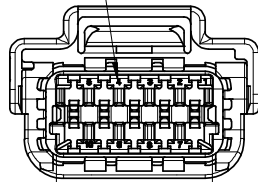
REVISED (MINOR) EC NO: GZ008-0315 DRAWN: VLOUVANCOUR 2008/02/12 CHKD: YIGEL 2008/02/12 APPR: LSTICKEIR 2008/02/13 A1	QUALITY SYMBOLS ▽=0 ▽=0	GENERAL TOLERANCES (UNLESS SPECIFIED)		DIMENSION STYLE MM ONLY		SCALE 2:1	DESIGN UNITS METRIC	FIRST ANGLE PROJECTION
		mm	INCH	DRAWN BY VLOUVANCOUR	DATE 2007/08/02	TITLE SICMA RCPT CONN SLD W/ 1.5 10CKT	DOCUMENT NO. SD-98788-005	SHEET NO. 1 OF 2
4 PLACES ± --- ± ---		3 PLACES ± --- ± ---		CHECKED BY YIGEL	DATE 2007/08/02	MATERIAL NO. MATERIAL NO.		
2 PLACES ± --- ± ---		1 PLACE ± 0.2 ± ---		APPROVED BY LSTICKEIR		DATE 2007/08/02		MATERIAL NO. SD-98788-005
ANGULAR ± 2 °		DRAFT WHERE APPLICABLE MUST REMAIN WITHIN DIMENSIONS		SEE CHART		THIS DRAWING CONTAINS INFORMATION THAT IS PROPRIETARY TO MOLEX INCORPORATED AND SHOULD NOT BE USED WITHOUT WRITTEN PERMISSION		

CAVITY MARKING



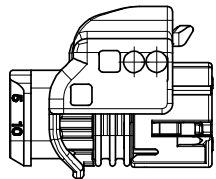
Z-Z

CAVITY MARKING

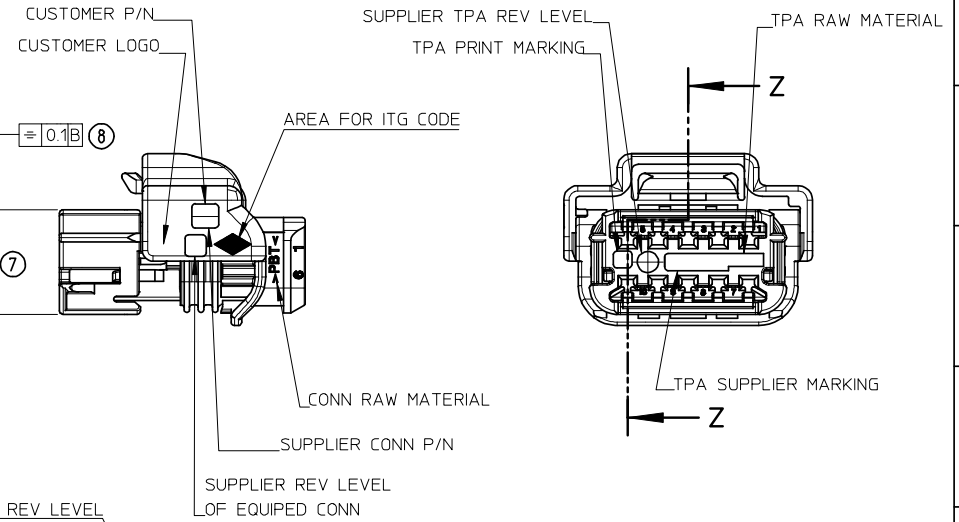


9 21.95 <sup>+0.10</sup> <sub>-0.05</sub>

VIEW WITHOUT TPA



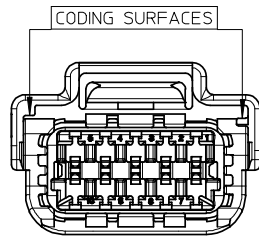
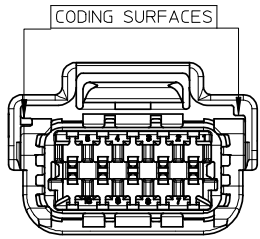
VIEW WITH TPA LOCKED



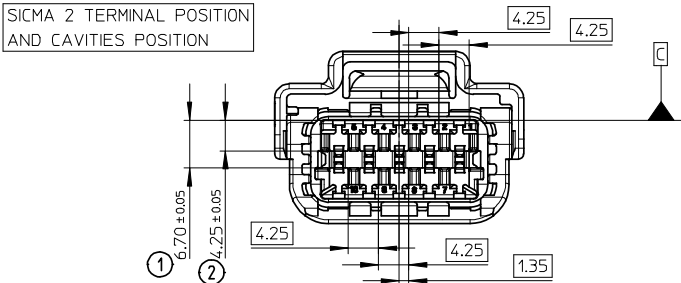
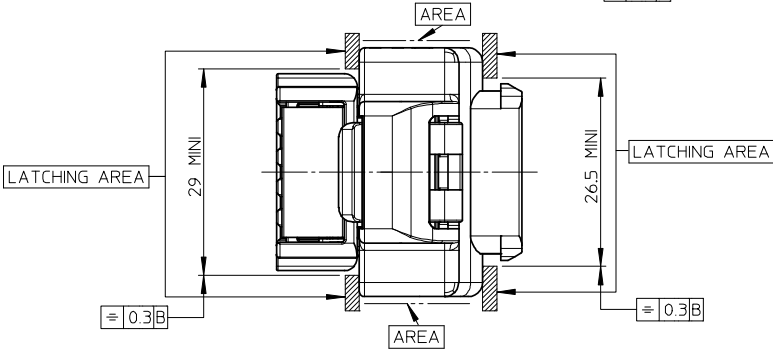
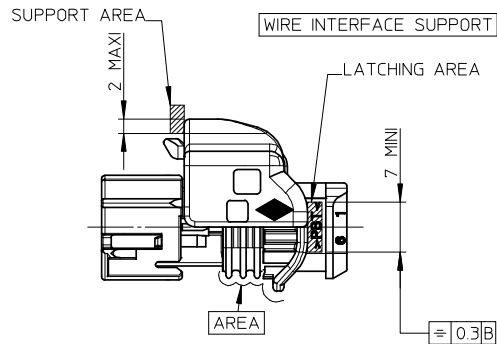
SUPPLIER CONN REV LEVEL

CONN PRINT MARKING

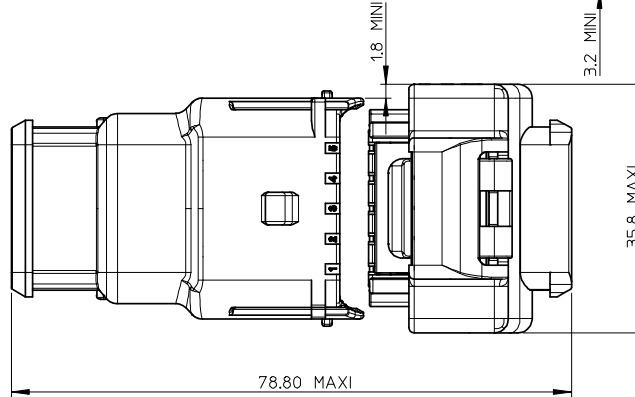
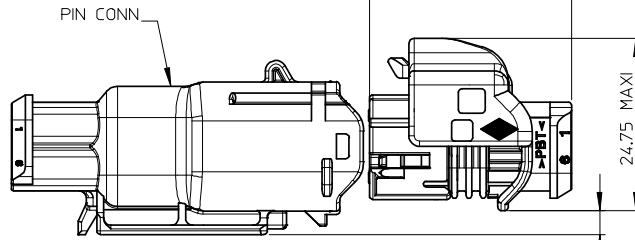
3	1	Piece	SICMA RCPT CONN SLD 10CKT	0987880206	-	SILICONE	0.642g
2	1	Piece	SICMA RCPT CONN TPA YEL 10CKT	0987880114	-	POLYESTER (PBT), UL94 HB	1.469g
1	1	Piece	SICMA RCPT CONN 1.5 GRAY 10CKT	0987880108	-	GREY	7.459g
			SICMA RCPT CONN 1.5 BLK 10CKT	0987880101	-	BLACK	
Item	Amount	Unit	Description	Material-Number	Packing	Material	Weight Calculated
			QUALITY SYMBOLS	GENERAL TOLERANCES (UNLESS SPECIFIED)		DIMENSION STYLE	SCALE
			▽=0	mm INCH		MM ONLY	2:1
			▽=0	4 PLACES ± --- ± ---		DRAWN BY	DATE
				3 PLACES ± --- ± ---		VLOUVANCOUR	2007/08/02
				2 PLACES ± --- ± ---		CHECKED BY	DATE
				1 PLACE ± 0.2 ± ---		YIGEL	2007/08/02
				ANGULAR ± 2 °		APPROVED BY	DATE
				DRAFT WHERE APPLICABLE MUST REMAIN WITHIN DIMENSIONS		LSTICKEIR	2007/08/02
				SEE CHART		MATERIAL NO.	DOCUMENT NO.
				SIZE A 2		MOLEX INCORPORATED	
				THIS DRAWING CONTAINS INFORMATION THAT IS PROPRIETARY TO MOLEX INCORPORATED AND SHOULD NOT BE USED WITHOUT WRITTEN PERMISSION		SD-98788-005	
						SHEET NO. 2 OF 2	



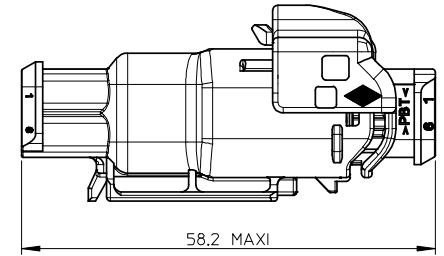
2	GREY	SICMA RCPT CONN SLD W/ 1.5 GRY 10CKT	0987881108
1	BLACK	SICMA RCPT CONN SLD W/ 1.5 BLK 10CKT	0987881101
CODING	COLOR	DESCRIPTION	MATERIAL NUMBER



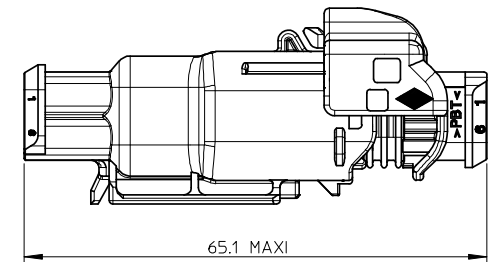
MATING / UNMATING  
OVERALL DIMENSIONS



OVERALL DIMENSION AFTER LOCK



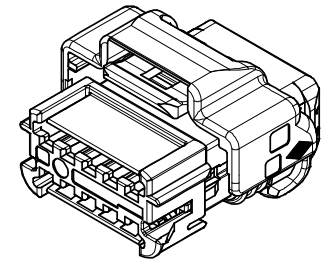
OVERALL DIMENSION BEFORE LOCK



NOTES:

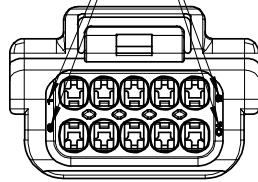
1. MATERIALS: SEE CHART
2. FINISHES: N/A
3. PRODUCT SPECIFICATION: AS-98788-001
4. PACKAGING INFORMATION: PK-98788-002
5. MATES WITH: 0987891101(BLACK), 0987891108(GREY)
6. 2MM2 WIRES NOT ALLOWED FOR THIS PRODUCT
7. CONNECTOR TIGHTENING STRENGTH ON WIRING INTERFACE:
  - 200 TO 250 N WITH PUSH TEST
  - 50 TO 250 WITHOUT PUSH TEST
8. AREAS SHOWN AS: AREA
  - DO NOT LOCK WIRING INTERFACE
  - DO NOT DAMAGE THE PART

ISOMETRIC VIEW

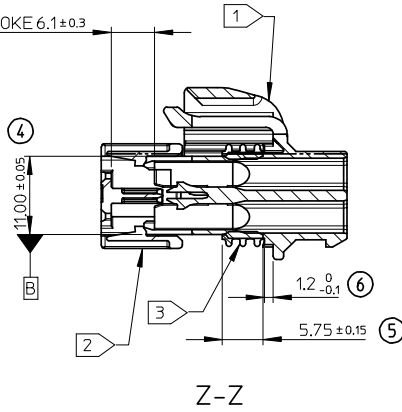


REVISED (MINOR) EC NO: GZ008-0315 DRAWN: VLOUVANCOUR 2008/02/12 CHKD: YIGEL 2008/02/12 APPR: LSTICKEIR 2008/02/13 A1	QUALITY SYMBOLS ▽=0 ▽=0	GENERAL TOLERANCES (UNLESS SPECIFIED)		DIMENSION STYLE <b>MM ONLY</b>		SCALE 2:1	DESIGN UNITS METRIC	FIRST ANGLE PROJECTION
		4 PLACES ± --- ± --- 3 PLACES ± --- ± --- 2 PLACES ± --- ± --- 1 PLACE ± 0.2 ± --- ANGULAR ± 2 °	mm INCH ± --- ± --- ± --- ± --- ± --- ± --- ± --- ± ---	DRAWN BY VLOUVANCOUR	DATE 2007/08/02	TITLE SICMA RCPT CONN SLD W/ 1.5 10CKT	MOLEX INCORPORATED	SHEET NO. 1 OF 2
DRAFT WHERE APPLICABLE MUST REMAIN WITHIN DIMENSIONS	SEE CHART	APPROVED BY LSTICKEIR	DATE 2007/08/02	MATERIAL NO. SD-98788-005	DOCUMENT NO.	INCORPORATED AND SHOULD NOT BE USED WITHOUT WRITTEN PERMISSION		

CAVITY MARKING

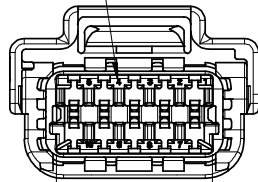


③ TPA STROKE 6.1±0.3



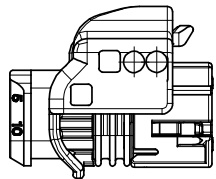
Z-Z

CAVITY MARKING

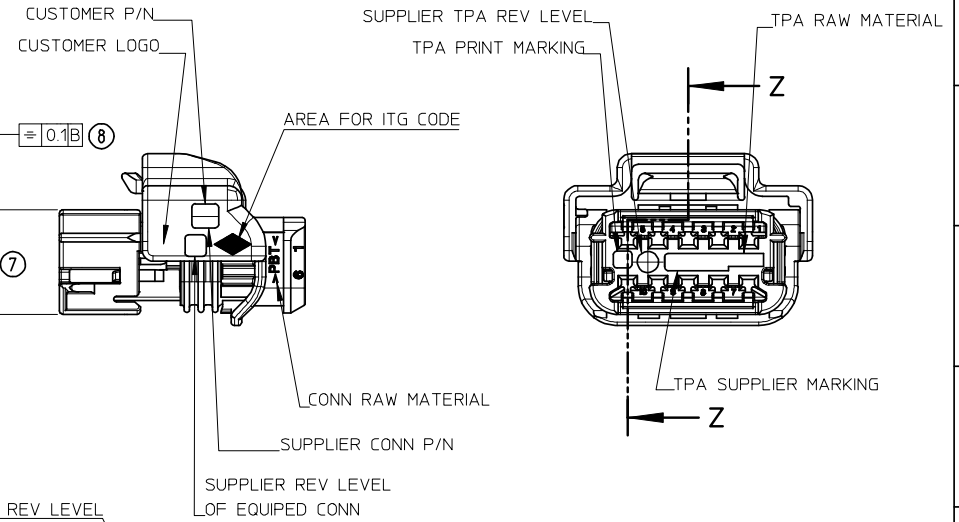


⑨ 21.95 +0.10 -0.05

VIEW WITHOUT TPA



VIEW WITH TPA LOCKED



Item	Amount	Unit	Description	Material-Number	Packing	Material	Weight Calculated
3	1	Piece	SICMA RCPT CONN SLD 10CKT	0987880206	-	SILICONE	0.642g
2	1	Piece	SICMA RCPT CONN TPA YEL 10CKT	0987880114	-	POLYESTER YELLOW (PBT), GREY	1.469g
1	1	Piece	SICMA RCPT CONN 1.5 GRAY 10CKT	0987880108	-	UL94 HB BLACK	7.459g
			SICMA RCPT CONN 1.5 BLK 10CKT	0987880101	-		

REVISED (MINOR) EC NO: GZ008-0315 DRAWN: VLOUVANCOUR 2008/02/12 CHKD: YIGEL 2008/02/12 APPR: LSTICKEIR 2008/02/13	QUALITY SYMBOLS	GENERAL TOLERANCES (UNLESS SPECIFIED)	DIMENSION STYLE	SCALE	DESIGN UNITS	FIRST ANGLE PROJECTION	
	▽=0 ▽=0	mm INCH 4 PLACES ± --- ± --- 3 PLACES ± --- ± --- 2 PLACES ± --- ± --- 1 PLACE ± 0.2 ± --- ANGULAR ± 2 °	MM ONLY DRAWN BY DATE VLOUVANCOUR 2007/08/02 CHECKED BY DATE YIGEL 2007/08/02 APPROVED BY DATE LSTICKEIR 2007/08/02 MATERIAL NO.	2:1	METRIC	SICMA RCPT CONN SLD W/ 1.5 10CKT	
	DRAFT WHERE APPLICABLE MUST REMAIN WITHIN DIMENSIONS			SEE CHART	MOLEX INCORPORATED DOCUMENT NO. SD-98788-005		SHEET NO. 2 OF 2
	THIS DRAWING CONTAINS INFORMATION THAT IS PROPRIETARY TO MOLEX INCORPORATED AND SHOULD NOT BE USED WITHOUT WRITTEN PERMISSION						