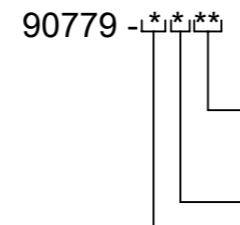


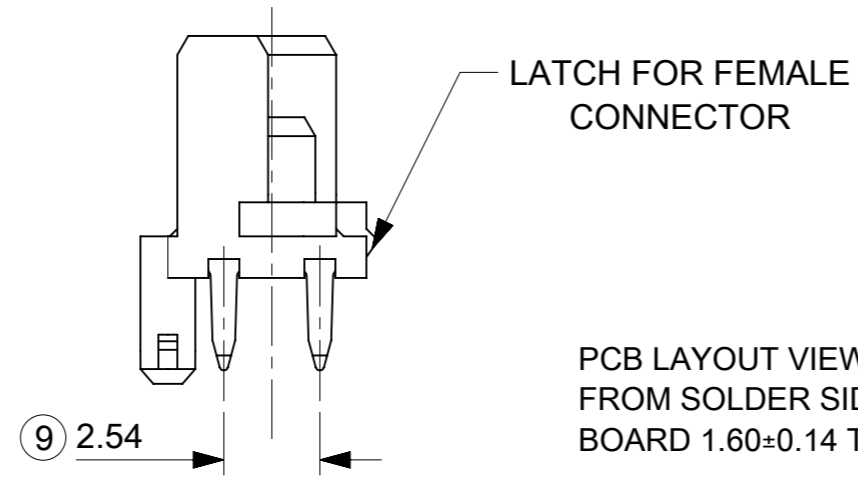
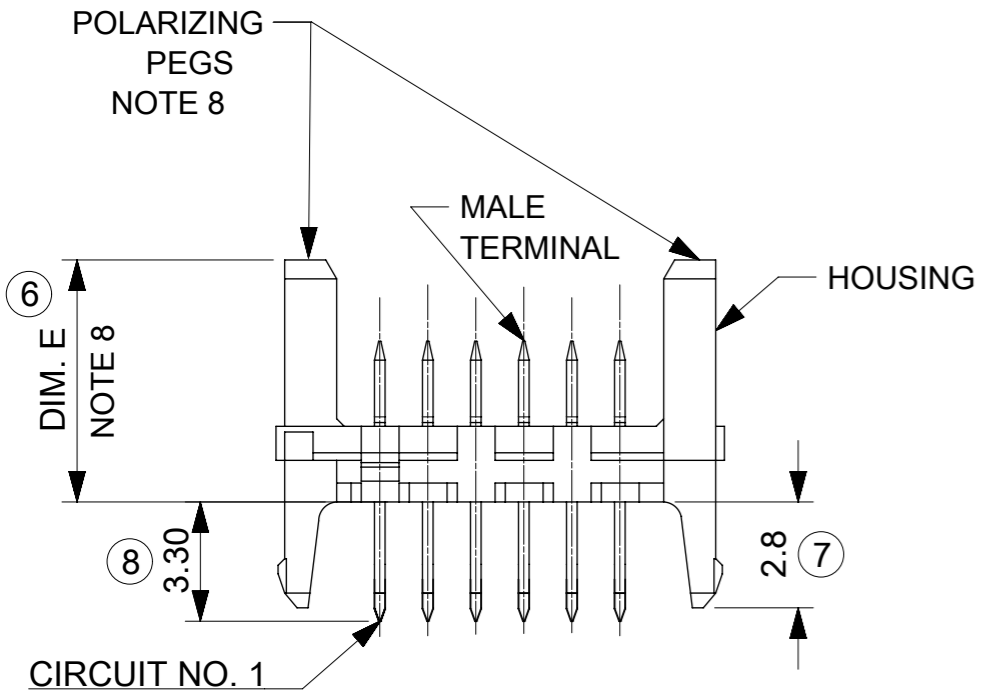
0 = 4-6µm TIN ASSY
 3 = 0.76µm GOLD ASSY
 7 = 0.76µm GOLD ASSY, TUBED
 9 = 4-6µm TIN ASSY TUBED



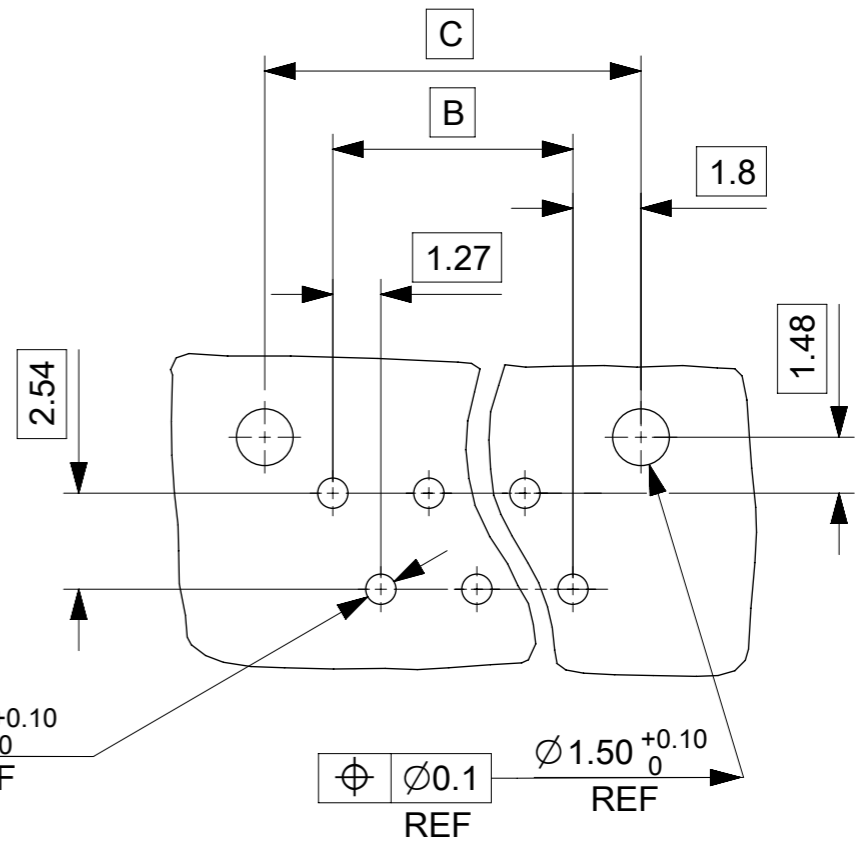
CIRCUIT SIZE 04 CCT TO 26 CCT
 -SEE ABOVE TABLE FOR PART CODE
 0 - STANDARD
 9 - SHORT VERSION

90779-**13	26	36.80	31.75	35.35	37.26
90779-**12	24	34.26	29.21	32.81	34.72
90779-**11	22	31.72	26.67	30.27	32.18
90779-**10	20	29.18	24.13	27.73	29.64
90779-**08	18	26.64	21.59	25.19	27.10
90779-**07	16	24.10	19.05	22.65	24.56
90779-**06	14	21.56	16.51	20.11	22.02
90779-**05	12	19.02	13.97	17.57	19.48
90779-**04	10	16.48	11.43	15.03	16.94
90779-**03	8	13.94	8.89	12.49	14.40
90779-**02	6	11.40	6.35	9.95	11.86
90779-**01	4	8.86	3.81	7.41	9.32
PART NO.	NO. OF CCTS	DIM. A	DIM. B	DIM. C	DIM. D

MOULD BASE COLOUR: NATURAL



PCB LAYOUT VIEWED FROM SOLDER SIDE.
 BOARD 1.60±0.14 THK



- NOTES:**
- HOUSING. NYLON 46, GLASS FILLED UL 94 V-0, NATURAL (WHITE).
 - TERMINAL: BRASS
 PLATING TIN: 1.27 MICROMETRE MIN. NICKEL UNDER 4-6 MICROMETRE TIN
 PLATING GOLD : UNDERPLATED 1.27µm MIN NICKEL 3-5µm TIN SELECTIVE
 0.76µm MIN. SELECTIVE GOLD
 - APPLICATION CLASS TO DIN 40040 HME (-25°C/+100°C)
 - PIN PUSH FORCE 7N
 - TEST VOLTAGE: 750V.A.C./1 MIN
 - COMPATIBLE WITH MOLEX PART 90327
 - PRODUCT SPECIFICATION: PS-99020-0011
 - POLARISING PEG AVAILABLE IN 2 OPTIONS
 DIM E: STANDARD 6.40mm
 DIM E: SHORT VERSION 4.10mm
 - PACKAGING SPECIFICATION: PK-90325-002

LAST INSPECTION NUMBER USED: 9

FUNCTIONAL SYMBOLS	THIS DRAWING CONTAINS INFORMATION THAT IS PROPRIETARY TO MOLEX ELECTRONIC TECHNOLOGIES, LLC AND SHOULD NOT BE USED WITHOUT WRITTEN PERMISSION	CURRENT REV DESC: CAD MIGRATION																																																		
	<table border="1"> <tr> <th>FUNCTIONAL SYMBOLS</th> <th>DIMENSION UNITS</th> <th>SCALE</th> </tr> <tr> <td>$\nabla_A = 0$</td> <td>mm</td> <td>5:1</td> </tr> <tr> <td>$\nabla_E = 0$</td> <td colspan="2">GENERAL TOLERANCES (UNLESS SPECIFIED)</td> </tr> <tr> <td>$\nabla_{E'} = 0$</td> <td colspan="2">ANGULAR TOL ± °</td> </tr> <tr> <td rowspan="5">DIVISIONAL SYMBOLS</td> <td>4 PLACES</td> <td>±</td> </tr> <tr> <td>3 PLACES</td> <td>± 0.2</td> </tr> <tr> <td>2 PLACES</td> <td>± 0.2</td> </tr> <tr> <td>1 PLACE</td> <td>±</td> </tr> <tr> <td>0 PLACES</td> <td>±</td> </tr> </table>	FUNCTIONAL SYMBOLS	DIMENSION UNITS			SCALE	$\nabla_A = 0$	mm	5:1	$\nabla_E = 0$	GENERAL TOLERANCES (UNLESS SPECIFIED)		$\nabla_{E'} = 0$	ANGULAR TOL ± °		DIVISIONAL SYMBOLS	4 PLACES	±	3 PLACES	± 0.2	2 PLACES	± 0.2	1 PLACE	±	0 PLACES	±	<table border="1"> <tr> <td>EC NO: 738955</td> <td>2023/02/02</td> </tr> <tr> <td>DRWN: GOWTHP</td> <td>2023/02/16</td> </tr> <tr> <td>CHK'D: GOWTHP</td> <td>2023/02/20</td> </tr> <tr> <td>APPR: ISHWARG</td> <td></td> </tr> <tr> <td>INITIAL REVISION:</td> <td></td> </tr> <tr> <td>DRWN: BGB</td> <td>1992/08/21</td> </tr> <tr> <td>APPR: JDENNEHY</td> <td>2004/12/03</td> </tr> </table>	EC NO: 738955	2023/02/02	DRWN: GOWTHP	2023/02/16	CHK'D: GOWTHP	2023/02/20	APPR: ISHWARG		INITIAL REVISION:		DRWN: BGB	1992/08/21	APPR: JDENNEHY	2004/12/03	<table border="1"> <tr> <td colspan="3">DOCUMENT NUMBER</td> <td>DOC TYPE</td> <td>DOC PART</td> <td>REVISION</td> </tr> <tr> <td colspan="3">SDA-90779</td> <td>PSD</td> <td>001</td> <td>T2</td> </tr> </table>		DOCUMENT NUMBER			DOC TYPE	DOC PART	REVISION	SDA-90779		
FUNCTIONAL SYMBOLS	DIMENSION UNITS	SCALE																																																		
$\nabla_A = 0$	mm	5:1																																																		
$\nabla_E = 0$	GENERAL TOLERANCES (UNLESS SPECIFIED)																																																			
$\nabla_{E'} = 0$	ANGULAR TOL ± °																																																			
DIVISIONAL SYMBOLS	4 PLACES	±																																																		
	3 PLACES	± 0.2																																																		
	2 PLACES	± 0.2																																																		
	1 PLACE	±																																																		
	0 PLACES	±																																																		
EC NO: 738955	2023/02/02																																																			
DRWN: GOWTHP	2023/02/16																																																			
CHK'D: GOWTHP	2023/02/20																																																			
APPR: ISHWARG																																																				
INITIAL REVISION:																																																				
DRWN: BGB	1992/08/21																																																			
APPR: JDENNEHY	2004/12/03																																																			
DOCUMENT NUMBER			DOC TYPE	DOC PART	REVISION																																															
SDA-90779			PSD	001	T2																																															
DRAFT WHERE APPLICABLE MUST REMAIN WITHIN DIMENSIONS		THIRD ANGLE PROJECTION	DRAWING	SERIES	MATERIAL NUMBER	CUSTOMER	SHEET NUMBER																																													
			A3-SIZE	90779	SEE CHART	GENERAL MARKET	1 OF 1																																													