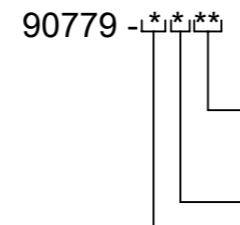


- 0 = 4-6µm TIN ASSY
- 3 = 0.76µm GOLD ASSY
- 7 = 0.76µm GOLD ASSY, TUBED
- 9 = 4-6µm TIN ASSY TUBED

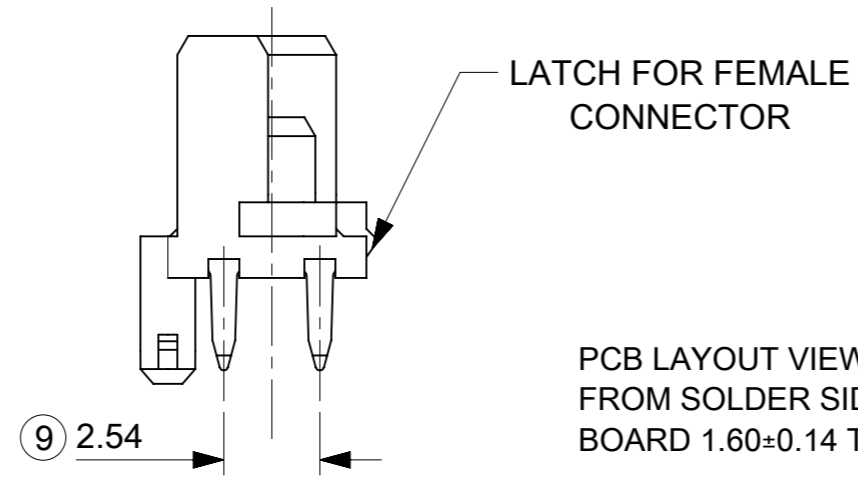
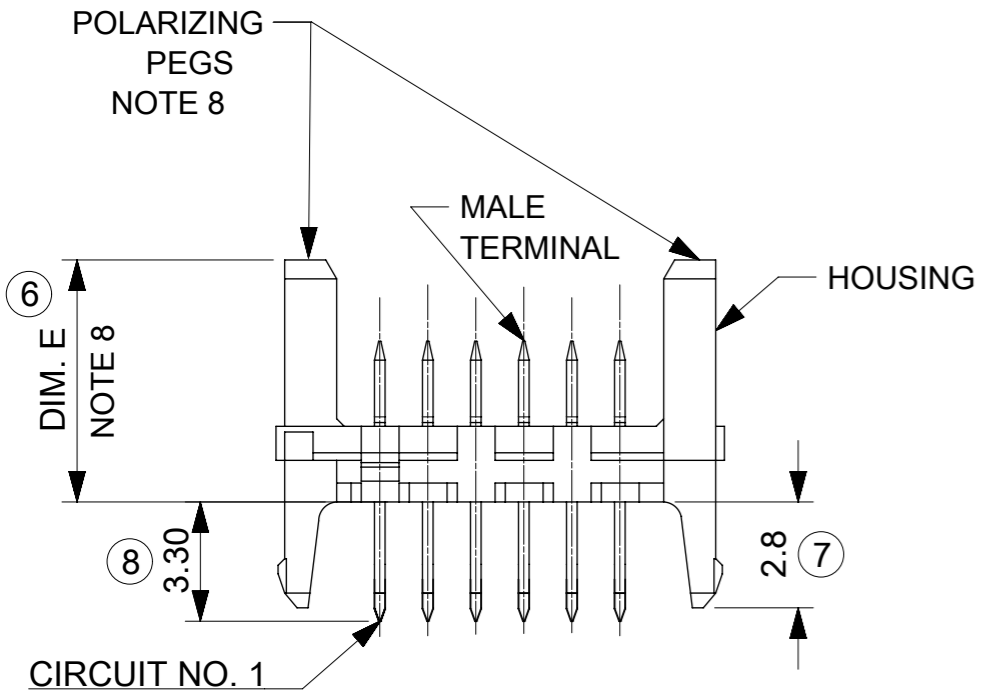


CIRCUIT SIZE 04 CCT TO 26 CCT  
-SEE ABOVE TABLE FOR PART CODE

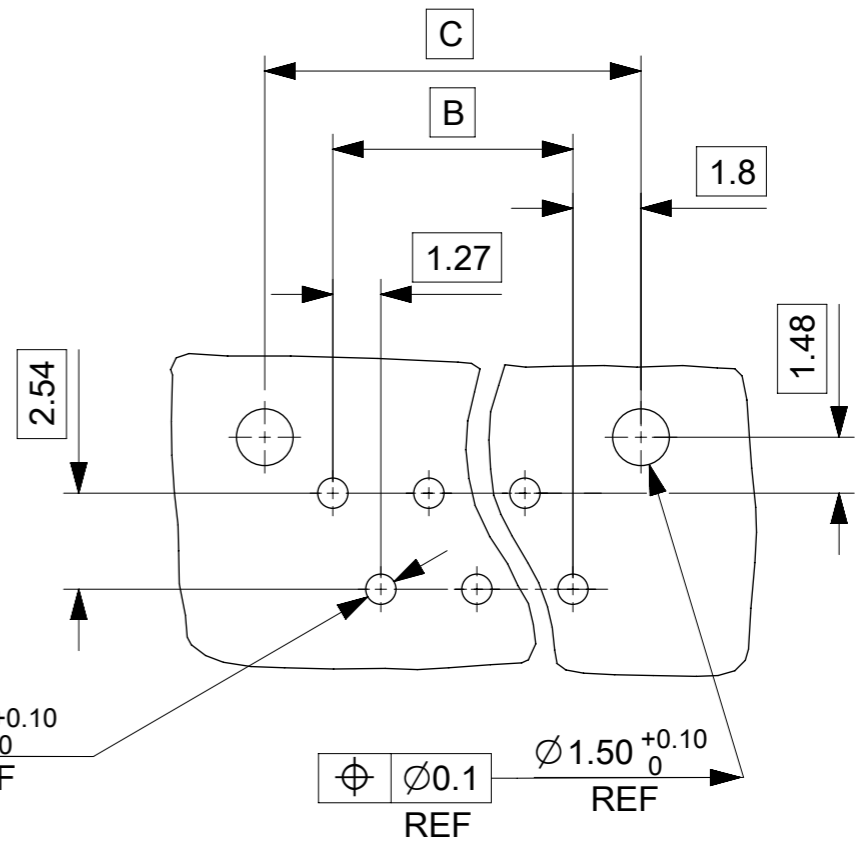
0 - STANDARD  
9 - SHORT VERSION

|            |             |        |        |        |        |
|------------|-------------|--------|--------|--------|--------|
| 90779-**13 | 26          | 36.80  | 31.75  | 35.35  | 37.26  |
| 90779-**12 | 24          | 34.26  | 29.21  | 32.81  | 34.72  |
| 90779-**11 | 22          | 31.72  | 26.67  | 30.27  | 32.18  |
| 90779-**10 | 20          | 29.18  | 24.13  | 27.73  | 29.64  |
| 90779-**08 | 18          | 26.64  | 21.59  | 25.19  | 27.10  |
| 90779-**07 | 16          | 24.10  | 19.05  | 22.65  | 24.56  |
| 90779-**06 | 14          | 21.56  | 16.51  | 20.11  | 22.02  |
| 90779-**05 | 12          | 19.02  | 13.97  | 17.57  | 19.48  |
| 90779-**04 | 10          | 16.48  | 11.43  | 15.03  | 16.94  |
| 90779-**03 | 8           | 13.94  | 8.89   | 12.49  | 14.40  |
| 90779-**02 | 6           | 11.40  | 6.35   | 9.95   | 11.86  |
| 90779-**01 | 4           | 8.86   | 3.81   | 7.41   | 9.32   |
| PART NO.   | NO. OF CCTS | DIM. A | DIM. B | DIM. C | DIM. D |

MOULD BASE COLOUR: NATURAL



PCB LAYOUT VIEWED FROM SOLDER SIDE.  
BOARD 1.60±0.14 THK



- NOTES:**
- HOUSING. NYLON 46, GLASS FILLED UL 94 V-0, NATURAL (WHITE).
  - TERMINAL: BRASS  
PLATING TIN: 1.27 MICROMETRE MIN. NICKEL UNDER 4-6 MICROMETRE TIN  
PLATING GOLD : UNDERPLATED 1.27µm MIN NICKEL 3-5µm TIN SELECTIVE  
0.76µm MIN. SELECTIVE GOLD
  - APPLICATION CLASS TO DIN 40040 HME (-25°C/+100°C)
  - PIN PUSH FORCE 7N
  - TEST VOLTAGE: 750V.A.C./1 MIN
  - COMPATIBLE WITH MOLEX PART 90327
  - PRODUCT SPECIFICATION: PS-99020-0011
  - POLARISING PEG AVAILABLE IN 2 OPTIONS  
DIM E: STANDARD 6.40mm  
DIM E: SHORT VERSION 4.10mm
  - PACKAGING SPECIFICATION: PK-90325-002

LAST INSPECTION NUMBER USED: 9

|                 |    |              |            |          |
|-----------------|----|--------------|------------|----------|
| DOCUMENT STATUS | P1 | RELEASE DATE | 2023/02/20 | 05:04:38 |
|-----------------|----|--------------|------------|----------|

|  |   |                                 |        |                 |                |
|--|---|---------------------------------|--------|-----------------|----------------|
| FUNCTIONAL SYMBOLS                                   | THIS DRAWING CONTAINS INFORMATION THAT IS PROPRIETARY TO MOLEX ELECTRONIC TECHNOLOGIES, LLC AND SHOULD NOT BE USED WITHOUT WRITTEN PERMISSION | CURRENT REV DESC: CAD MIGRATION |        |                 |                |
|  | GENERAL TOLERANCES (UNLESS SPECIFIED)   | EC NO: 738955                   |        |                 |                |
| ANGULAR TOL  | ± °   | DRWN: GOWTHP                    |        | 2023/02/02      |                |
| 4 PLACES   | ±   | CHK'D: GOWTHP                   |        | 2023/02/16      |                |
| 3 PLACES   | ± 0.2   | APPR: ISHWARG                   |        | 2023/02/20      |                |
| 2 PLACES   | ± 0.2   | INITIAL REVISION:               |        | DOCUMENT NUMBER |                |
| 1 PLACE  | ±   | DRWN: BGB                       |        | SDA-90779       |                |
| 0 PLACES   | ±   | APPR: JDENNEHY                  |        | PSD 001 T2      |                |
| DRAFT WHERE APPLICABLE MUST REMAIN WITHIN DIMENSIONS | THIRD ANGLE PROJECTION  | DRAWING                         | SERIES | MATERIAL NUMBER | CUSTOMER       |
|  |   | A3-SIZE                         | 90779  | SEE CHART       | GENERAL MARKET |
|  |   |                                 |        |                 | SHEET NUMBER   |
|  |   |                                 |        |                 | 1 OF 1         |