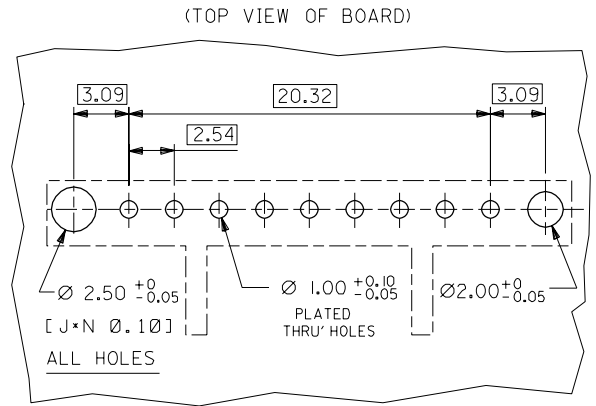
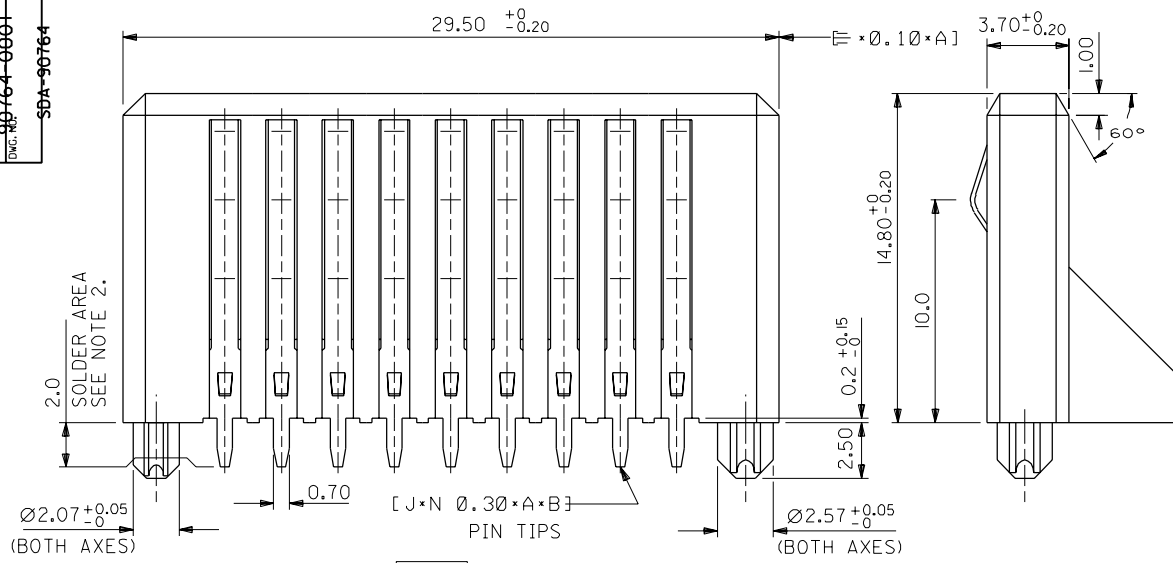
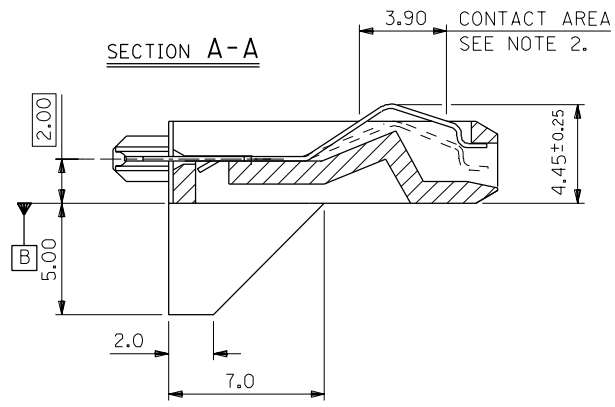
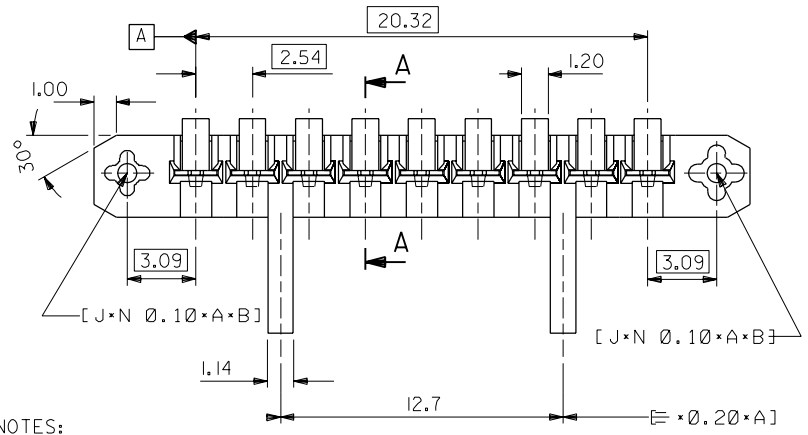


PART NO. **90764-0001**
 DWG. NO. **SDA-90764**



RECOMMENDED PCB LAYOUT
 (RECOMMENDED PCB THICKNESS: 1.0mm)
 (SCALE : 4:1)



NOTES:

1. MATERIAL: HOUSING; GLASS FILLED POLYESTER COLOUR-BLACK, RATED UL-94V-0. CONTACT; 0.200 REF THICK PHOSPHOR BRONZE.
2. PLATING; 1.27µm MIN. NI UNDERCOAT ALLOVER, 0.76µm MIN. Au IN CONTACT AREA. 3.0µm MIN. TIN-LEAD IN SOLDER AREA.
3. FOR PRODUCT SPECIFICATION, SEE PS-99020-0030
4. PRODUCT IS TRAY PACKAGED, (84 PARTS PER TRAY).

FOR PREVIOUS DRAWING ISSUES SEE MRI.

PRODUCT TRAY PACKED
 EGN E30081
 23 NOVEMBER 1992 SM
A1
 LTR

DIMENSIONS SHOWN (METRIC) INCH	
UNLESS OTHERWISE SPECIFIED TOLERANCES: ANGULAR ± 1/2°	
INCH	(METRIC)
3 PLACE ± .	
2 PLACE ± .	± 0.10
1 PLACE ± .	± 0.20
DRAFT WHERE APPLICABLE MUST REMAIN WITHIN DIMENSIONS	
DESIGN DIMENSION (PRIMARY)	<input checked="" type="checkbox"/> (MM)
EQUIVALENT DIMENSION (SECONDARY)	<input type="checkbox"/> (MM) <input type="checkbox"/> (IN.)

DRWG BY **POB**
 CHK'D BY
 APP'D BY
 SCALE **5:1**

REVISE ONLY ON CAD SYSTEM		SH.	REV.
CAD/CAM FILENAME: SA90764X1 DGN		THIS DRAWING CONTAINS INFORMATION THAT IS PROPRIETARY TO MOLEX INC. & SHOULD NOT BE USED WITHOUT WRITTEN PERMISSION	
TITLE BATTERY CONNECTOR 2.54mm CENTRELINES 9 CIRCUIT			
molex MOLEX EUROPE		SHEET NO. DATE 10F1 92/06/26	
PART NO. 90764-0001	DWG. NO. SDA-90764	SIZE B	