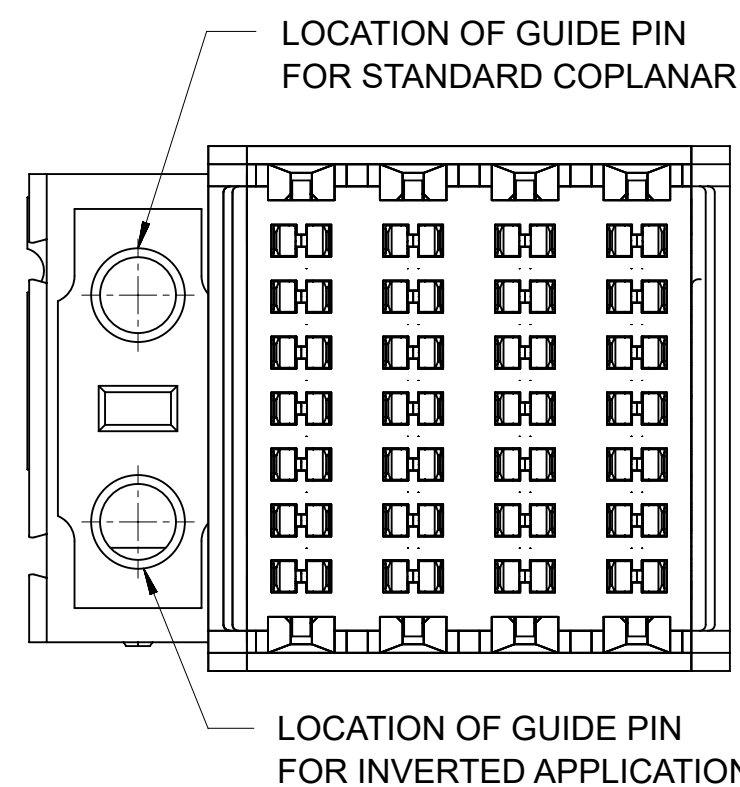
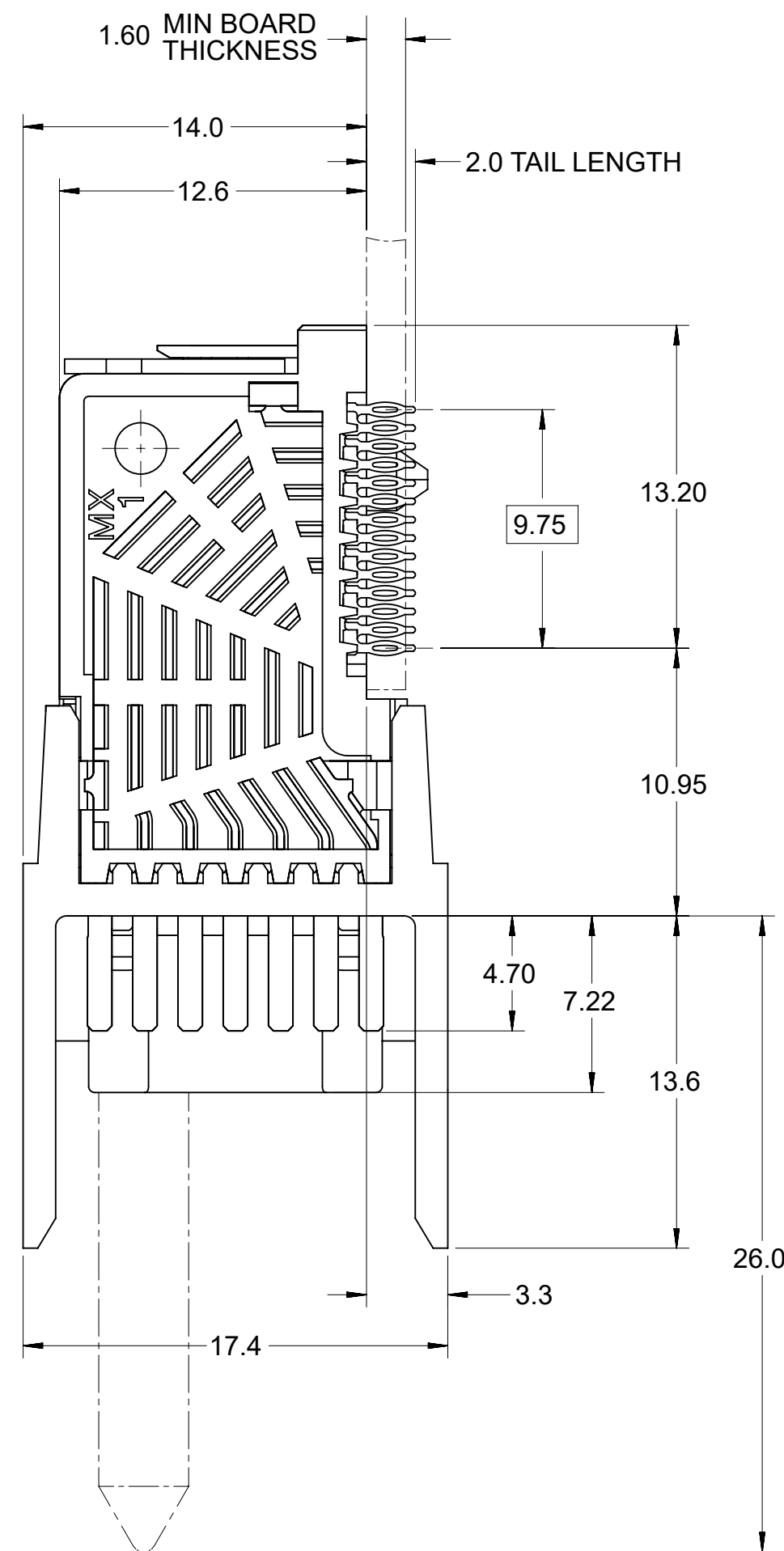


ADDITIONAL SPACE REQUIRED FOR END WALL VERSION



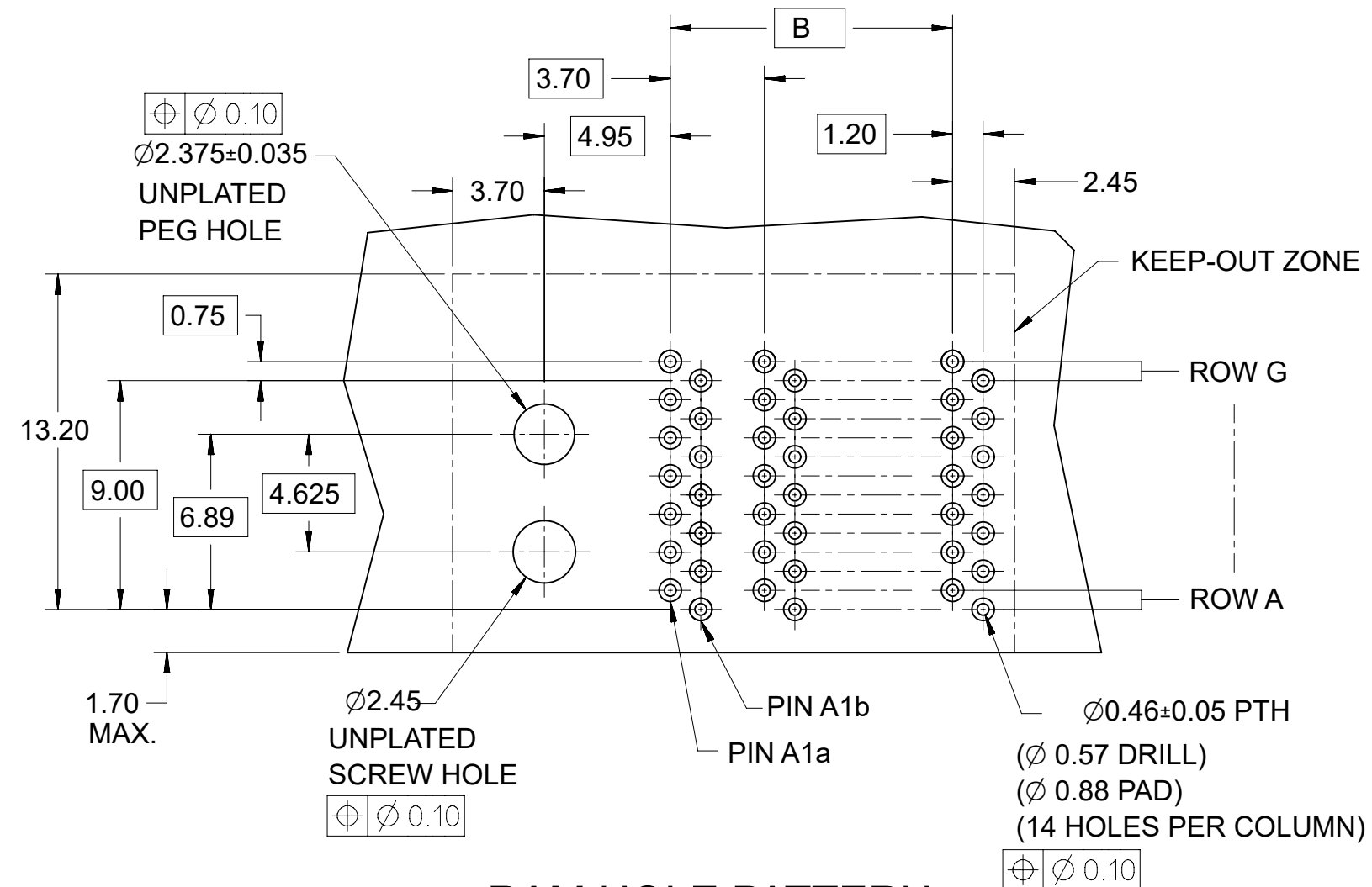
LOCATION OF GUIDE PIN FOR STANDARD COPLANAR

LOCATION OF GUIDE PIN FOR INVERTED APPLICATION



STANDARD PIN OPTION
(76011-***3)
(76011-***7)

SEE NOTE 4.



RAM HOLE PATTERN
(CONNECTOR SIDE)

NOTES:

1. MATERIALS: HOUSING - LIQUID CRYSTAL POLYMER (LCP), BLACK, UL 94V-0
TERMINALS - HIGH PERFORMANCE COPPER ALLOY
2. FINISH: SELECTIVE GOLD (Au) IN CONTACT AREA,
SELECTIVE MATTE TIN (Sn) IN TAIL AREA;
NICKEL (Ni) UNDERPLATE OVERALL.
3. MOLEX PRODUCT SPECIFICATION: PS-75710-999.
4. OPTIONAL GUIDE PIN SHOWN IN COPLANAR LOCATION.
5. THIS PART CONFORMS TO CLASS B REQUIREMENTS OF
COSMETIC SPEC PS-45499-002.
6. PACKAGED PER PK-70873-588.
7. MAPS (MOLEX ADVANCED PLATING SYSTEM).

THIS DRAWING CONTAINS INFORMATION THAT IS PROPRIETARY TO MOLEX ELECTRONIC TECHNOLOGIES, LLC AND SHOULD NOT BE USED WITHOUT WRITTEN PERMISSION									
DIMENSION UNITS		SCALE		CURRENT REV DESC: RETRACTION AS PER SALES FORCE CASE# 155432					
mm		4:1		molex I-TRAC 7-ROW RIGHT ANGLE MALE GUIDE LEFT ASSEMBLY PRODUCT CUSTOMER DRAWING					
GENERAL TOLERANCES (UNLESS SPECIFIED)									
	MM	INCH							
4 PLACES	±	±							
3 PLACES	±	±							
2 PLACES	± 0.13	±		EC NO: 664200		2021/05/18			
1 PLACE	± 0.25	±		DRWN: SUGEEB		2021/05/25			
0 PLACES	±	±		CHK'D: GGA		2021/05/25			
ANGULAR TOL ± °				APPR: GGA		2021/05/25			
DRAFT WHERE APPLICABLE MUST REMAIN WITHIN DIMENSIONS				INITIAL REVISION:		2006/05/04		DOCUMENT NUMBER	
				DRWN: ELO		2007/02/05		SD-76011-002	
				APPR: CBIXLER		2007/02/05		DOC TYPE DOC PART REVISION	
				THIRD ANGLE PROJECTION		DRAWING		MATERIAL NUMBER	
				C-SIZE		76011		SEE SHEET 2	
				SERIES		GENERAL MARKET		CUSTOMER	
								SHEET NUMBER	
								1 OF 3	

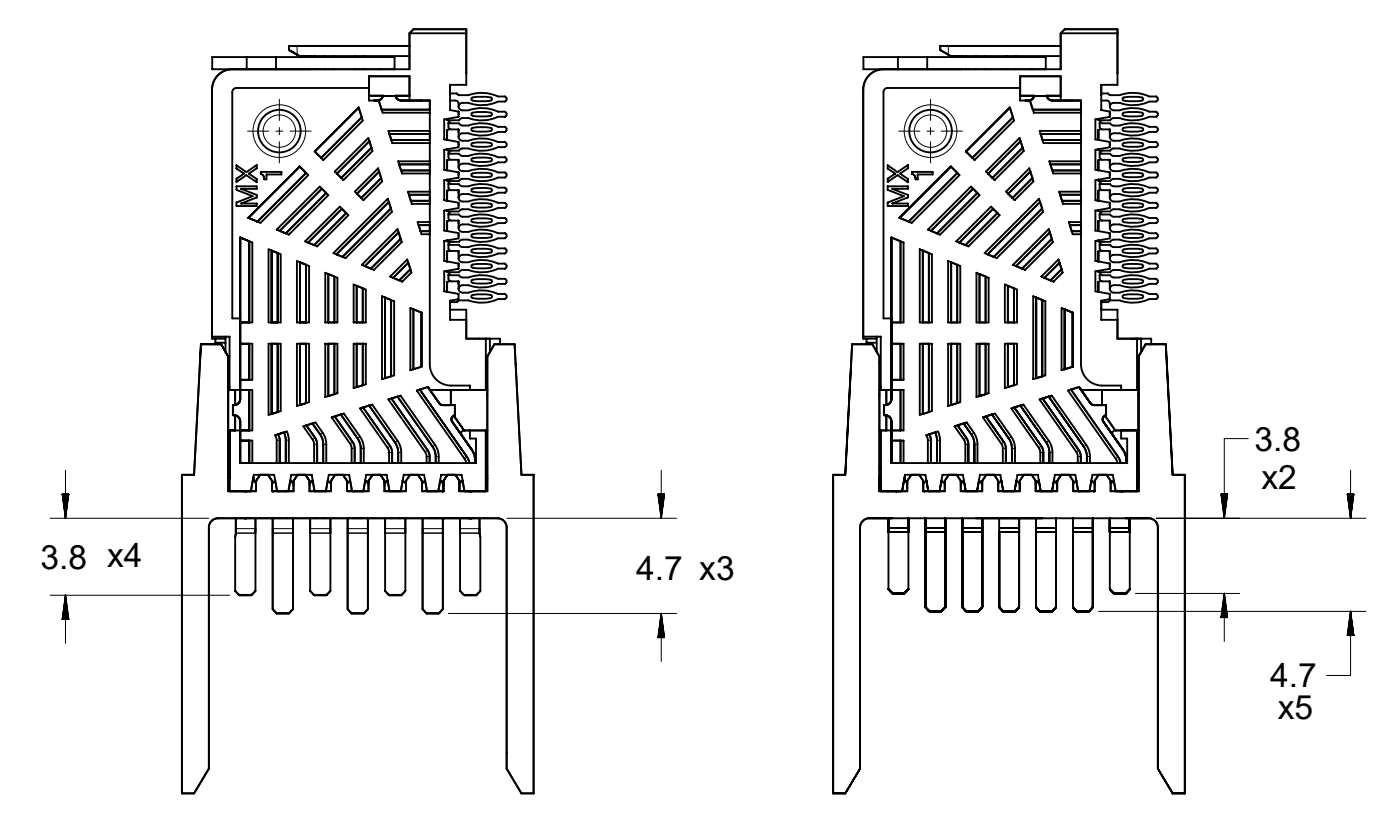
76011-***

MODULE TYPE - TAIL PLATING TYPE
 GUIDE LEFT, - MATTE TIN (FORMERLY TIN/LEAD) = 2
 GUIDE LEFT, - MATTE TIN = 3
 GUIDE LEFT, END WALL - MATTE TIN (FORMERLY TIN/LEAD) = 6
 GUIDE LEFT, END WALL - MATTE TIN = 7

PIN LENGTH/PLATING
 3 = 4.70 30 GOLD
 5 = 4 X 3.80, 3 X 4.70 STAGGERED 30 GOLD
 6 = 2 X 3.80, 5 X 4.70 STAGGERED 30 GOLD
 7 = 4.70 10 GOLD (MAPS)
 8 = 4 X 3.80, 3 X 4.70 STAGGERED 10 GOLD (MAPS)
 9 = 2 X 3.80, 5 X 4.70 STAGGERED 10 GOLD (MAPS)

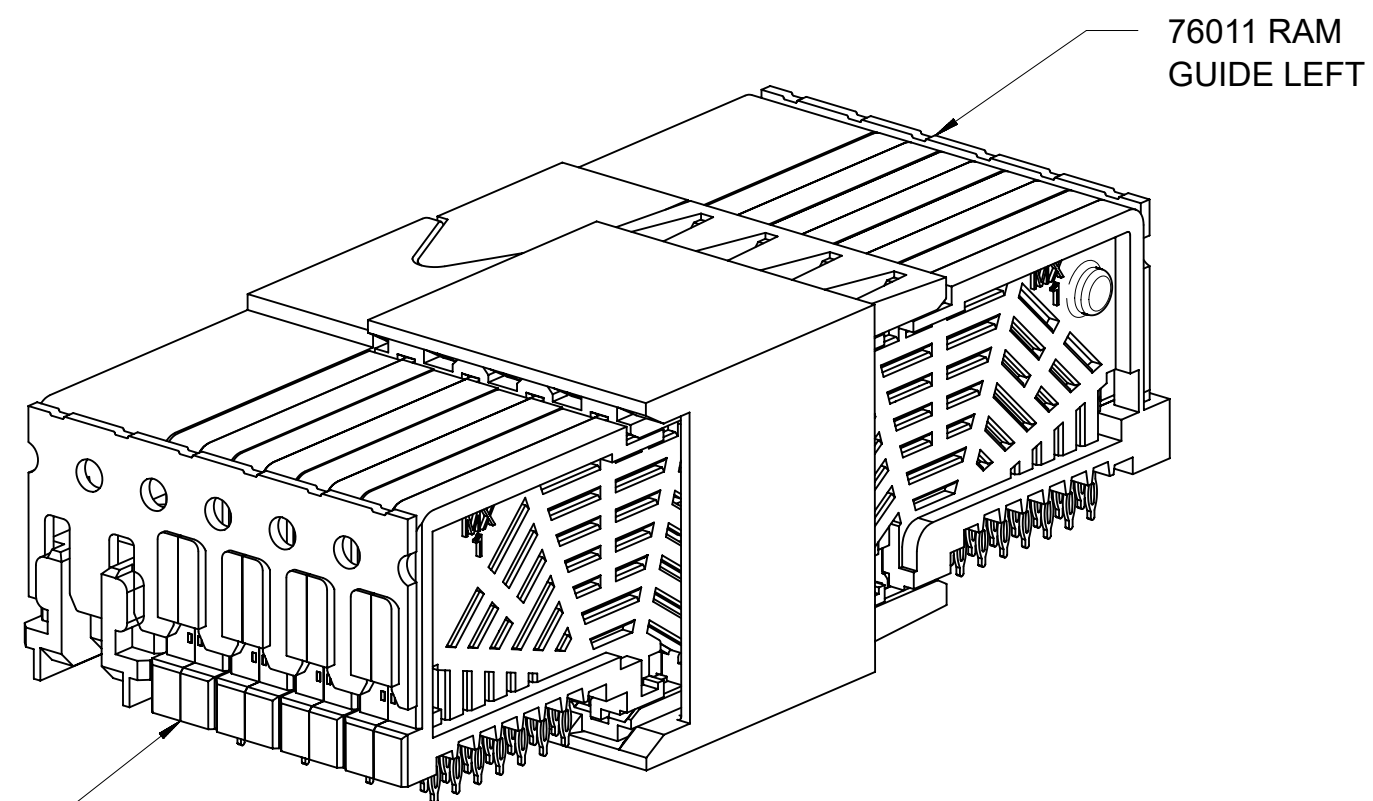
OF COLUMNS
 4 = 4 COL
 6 = 6 COL
 1 = 10 COL

ORIENTATION OF GUIDE POST
 2 = COPLANAR
 3 = INVERTED



STAGGERED PIN OPTION
 (76011-***5)
 (76011-***8)

STAGGERED PIN OPTION
 (76011-***6)
 (76011-***9)

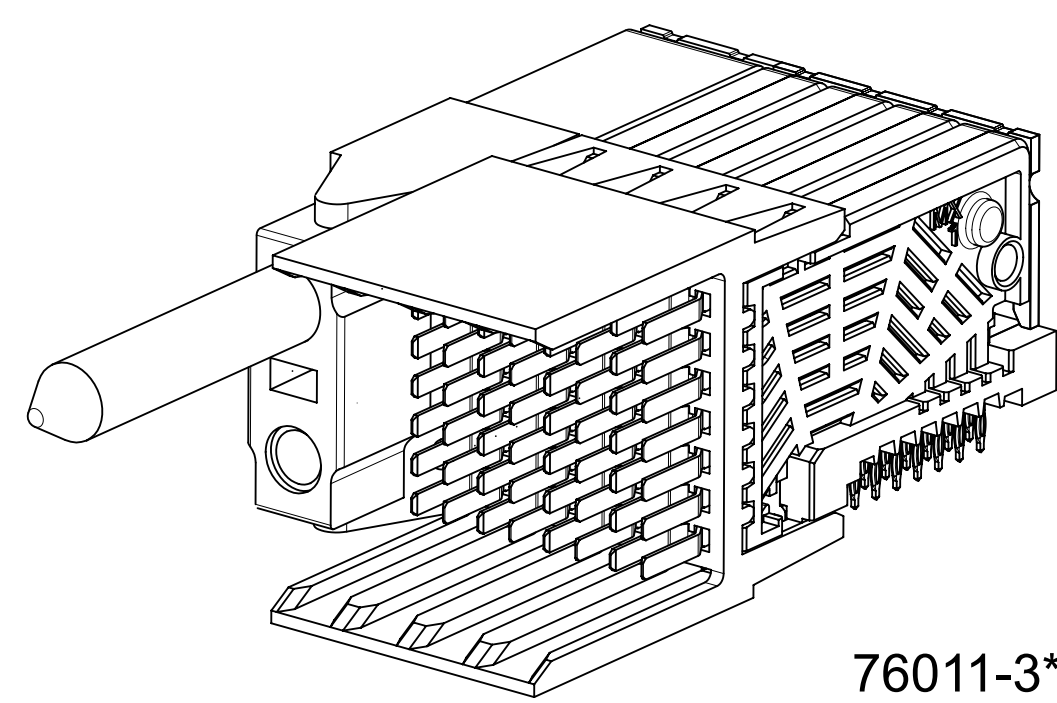


76011 RAM
 GUIDE LEFT

76020 DC
 GUIDE RIGHT

NOTE:

WHEN MATING RIGHT ANGLE MALE (RAM) TO A DAUGHTERCARD IN A COPLANAR APPLICATION, THE GUIDE CONFIGURATION IS OPPOSING (DC GUIDE RIGHT MATED TO RAM GUIDE LEFT). WHEN INVERTED, THE RAM AND DAUGHTERCARD HAVE THE SAME GUIDE CONFIGURATION (DC GUIDE LEFT MATED TO RAM GUIDE LEFT). (SEE SHEET 3)



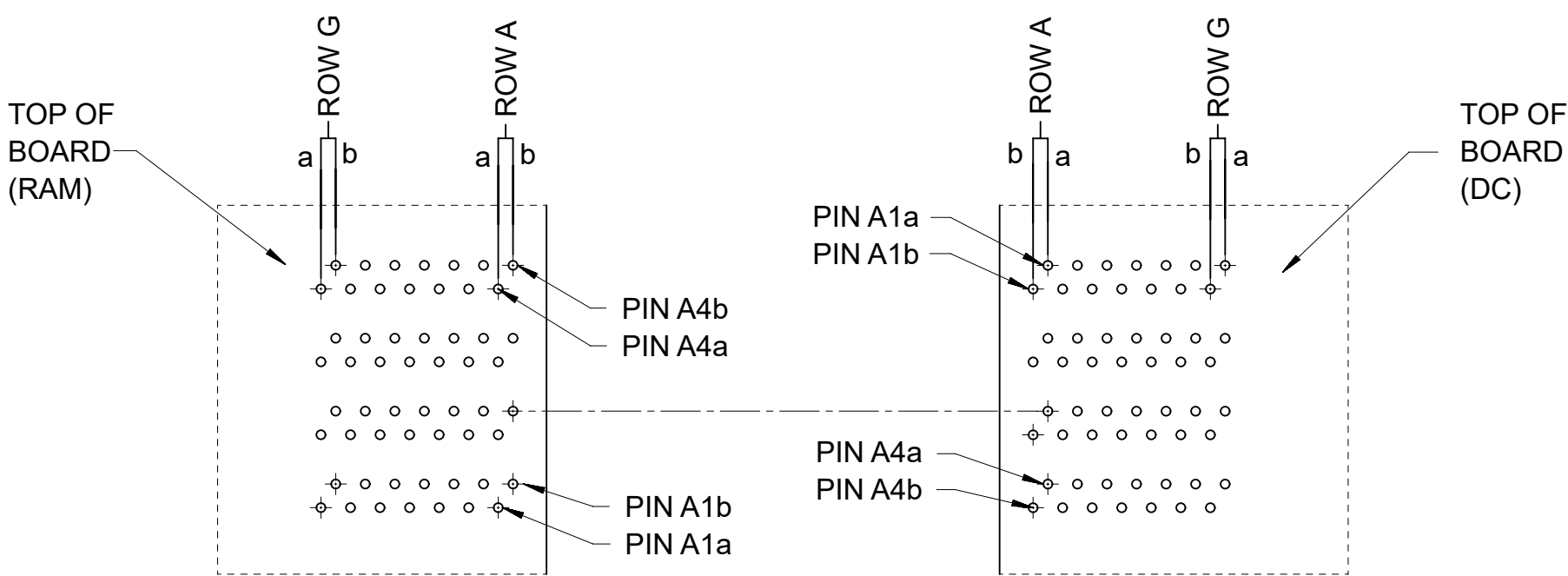
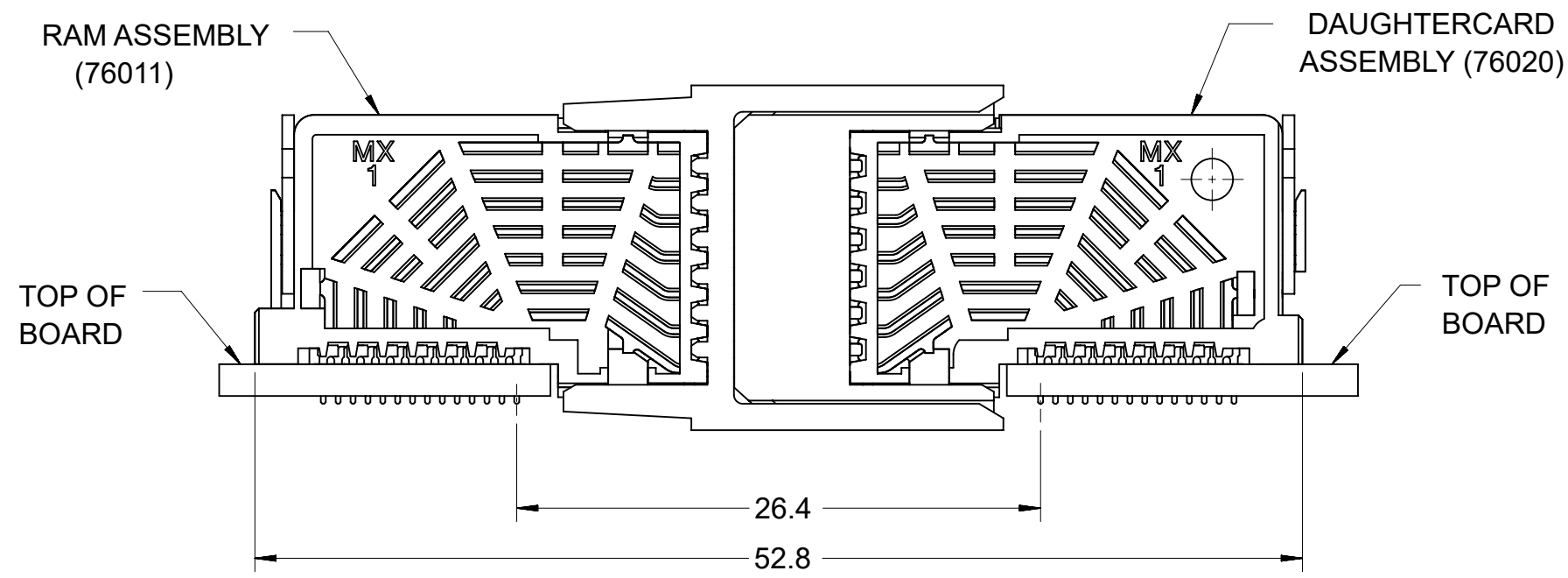
76011-3*2*
 GUIDE LEFT, COPLANAR

PART NUMBER	# OF COLUMNS	DIM "A" MAX	DIM "B"
76011 - *4**	4	22.06	11.10
76011 - *1**	10	44.40	33.30

THIS DRAWING CONTAINS INFORMATION THAT IS PROPRIETARY TO MOLEX ELECTRONIC TECHNOLOGIES, LLC AND SHOULD NOT BE USED WITHOUT WRITTEN PERMISSION

DIMENSION UNITS mm	SCALE 3:1	CURRENT REV DESC: RETRACTION AS PER SALES FORCE CASE# 155432	molex		
GENERAL TOLERANCES (UNLESS SPECIFIED)		EC NO: 664200			
4 PLACES ±	MM INCH	DRWN: SUGEEB 2021/05/18	PRODUCT CUSTOMER DRAWING		
3 PLACES ±		CHK'D: GGA 2021/05/25	DOCUMENT NUMBER		
2 PLACES ± 0.13		APPR: GGA 2021/05/25	SD-76011-002		
1 PLACE ± 0.25		INITIAL REVISION:	DOC TYPE	DOC PART	REVISION
0 PLACES ±		DRWN: ELO 2006/05/04	PSD	001	G
ANGULAR TOL ± °		APPR: CBIXLER 2007/02/05	MATERIAL NUMBER	CUSTOMER	SHEET NUMBER
DRAFT WHERE APPLICABLE MUST REMAIN WITHIN DIMENSIONS	THIRD ANGLE PROJECTION	DRAWING C-SIZE	76011	GENERAL MARKET	2 OF 3

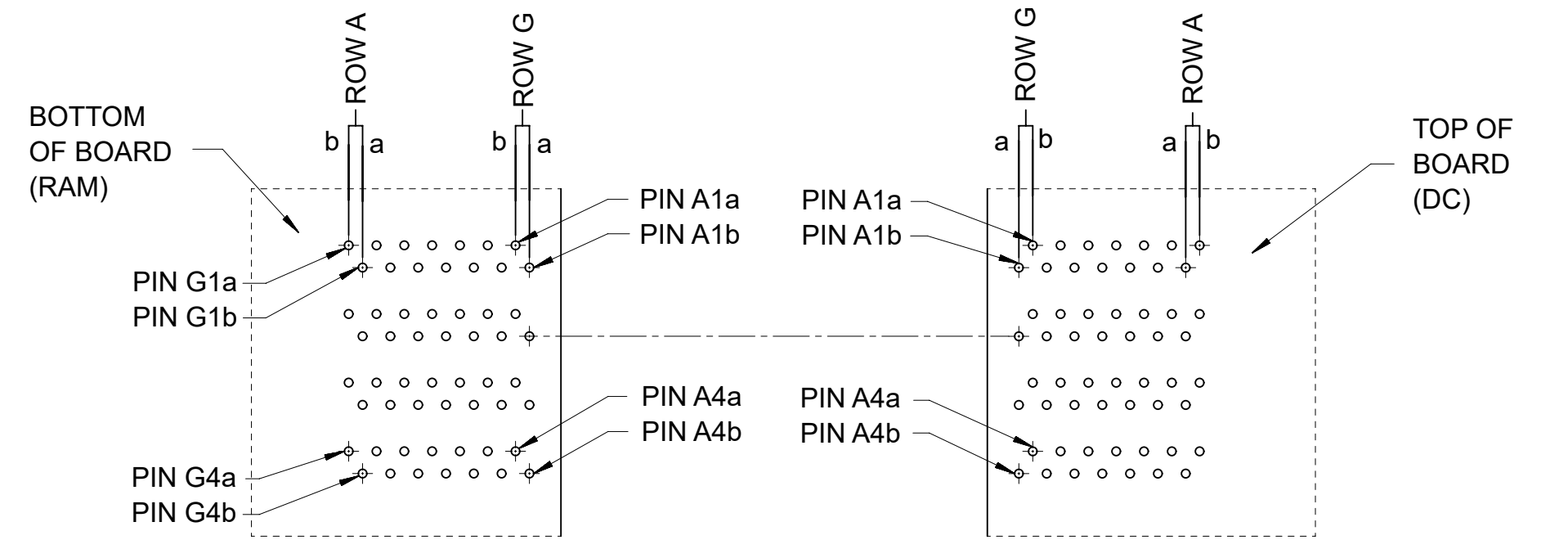
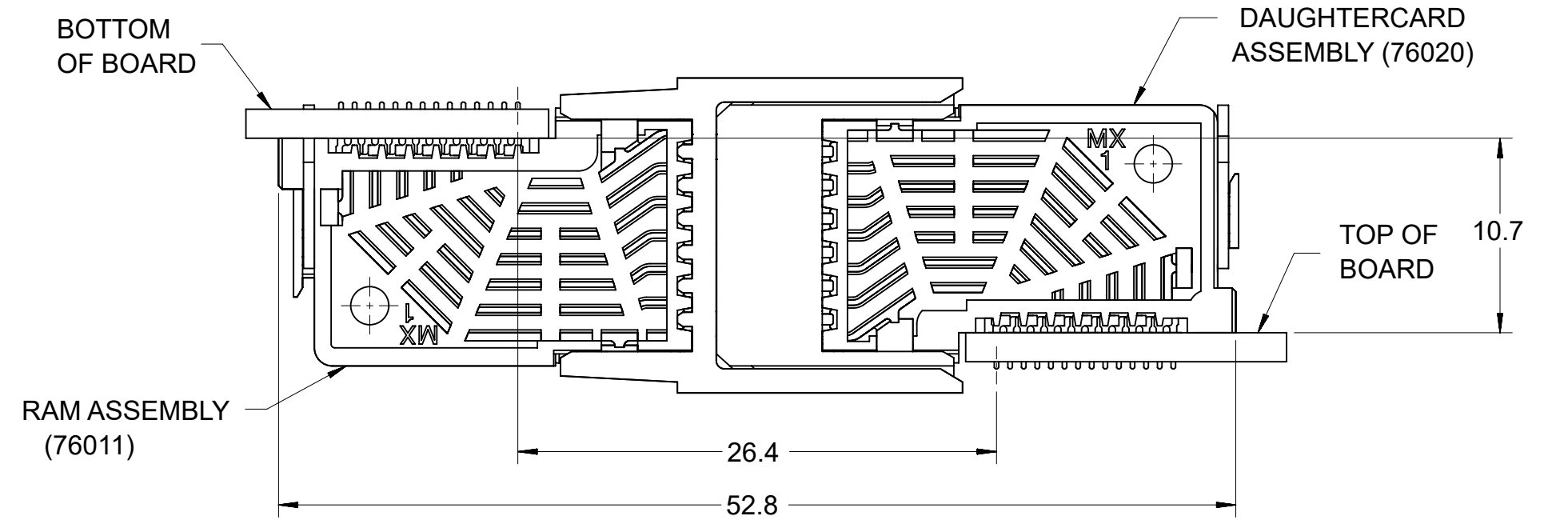
COPLANAR APPLICATION



COPLANAR MATED SIGNAL PATHS

RAM PIN A4b.....	DC PIN A1a
RAM PIN A4a.....	DC PIN A1b
RAM PIN A1b.....	DC PIN A4a
RAM PIN A1a.....	DC PIN A4b

INVERTED APPLICATION



INVERTED MATED SIGNAL PATHS

RAM PIN G1a.....	DC PIN A1a
RAM PIN G1b.....	DC PIN A1b
RAM PIN G4a.....	DC PIN A4a
RAM PIN G4b.....	DC PIN A4b

THIS DRAWING CONTAINS INFORMATION THAT IS PROPRIETARY TO MOLEX ELECTRONIC TECHNOLOGIES, LLC AND SHOULD NOT BE USED WITHOUT WRITTEN PERMISSION

DIMENSION UNITS mm	SCALE 2:1	CURRENT REV DESC: RETRACTION AS PER SALES FORCE CASE# 155432	molex			
GENERAL TOLERANCES (UNLESS SPECIFIED)		EC NO: 664200				I-TRAC 7-ROW RIGHT ANGLE MALE GUIDE LEFT ASSEMBLY
4 PLACES ±	±	DRWN: SUGEEB	2021/05/18			
3 PLACES ±	±	CHK'D: GGA	2021/05/25			
2 PLACES ±	0.13 ±	APPR: GGA	2021/05/25			
1 PLACE ±	0.25 ±	INITIAL REVISION:	PRODUCT CUSTOMER DRAWING			
0 PLACES ±	±	DRWN: ELO	DOCUMENT NUMBER		DOC TYPE DOC PART REVISION	
ANGULAR TOL ± °	°	APPR: CBIXLER	SD-76011-002		PSD 001 G	
DRAFT WHERE APPLICABLE MUST REMAIN WITHIN DIMENSIONS	THIRD ANGLE PROJECTION	DRAWING	SERIES	MATERIAL NUMBER	CUSTOMER	SHEET NUMBER
		C-SIZE	76011	SEE SHEET 2	GENERAL MARKET	3 OF 3