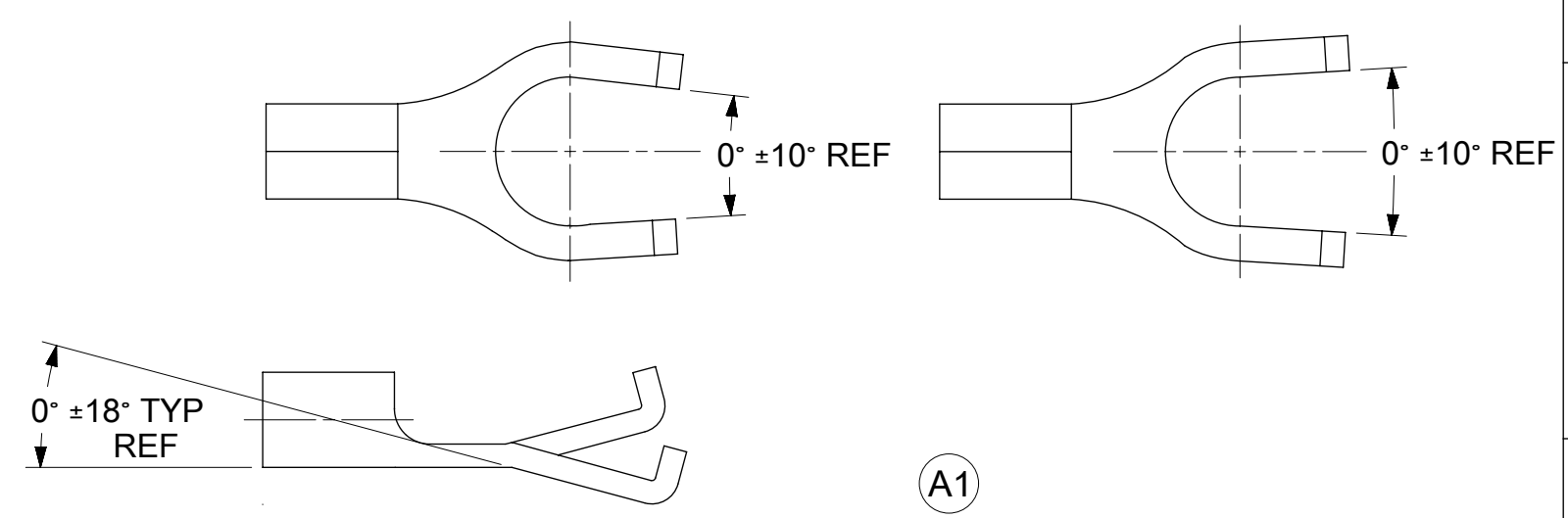
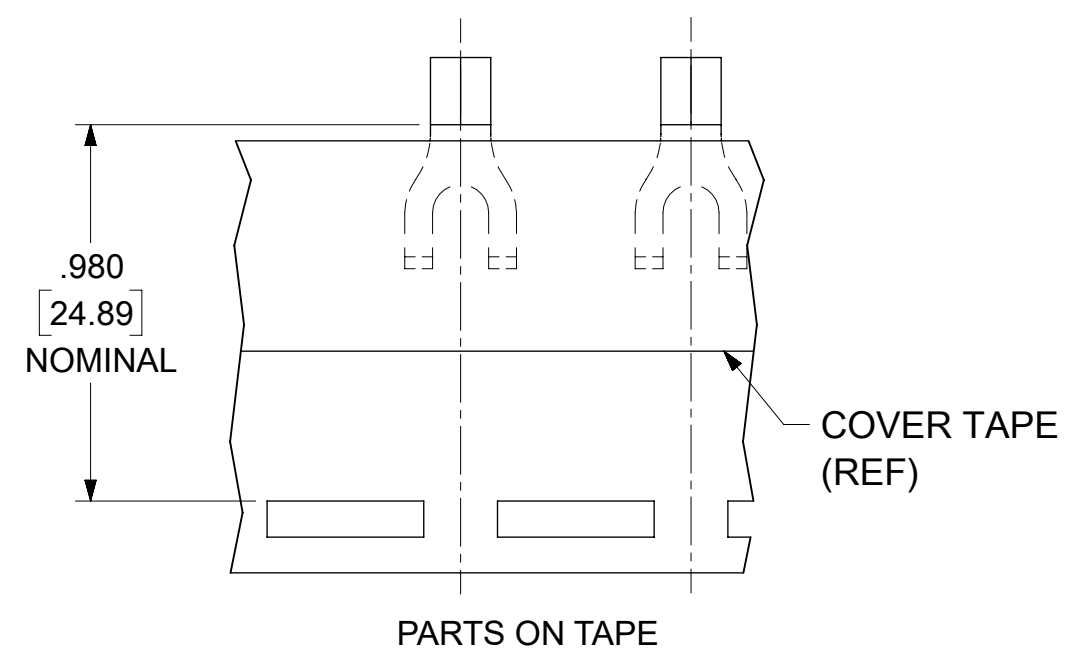
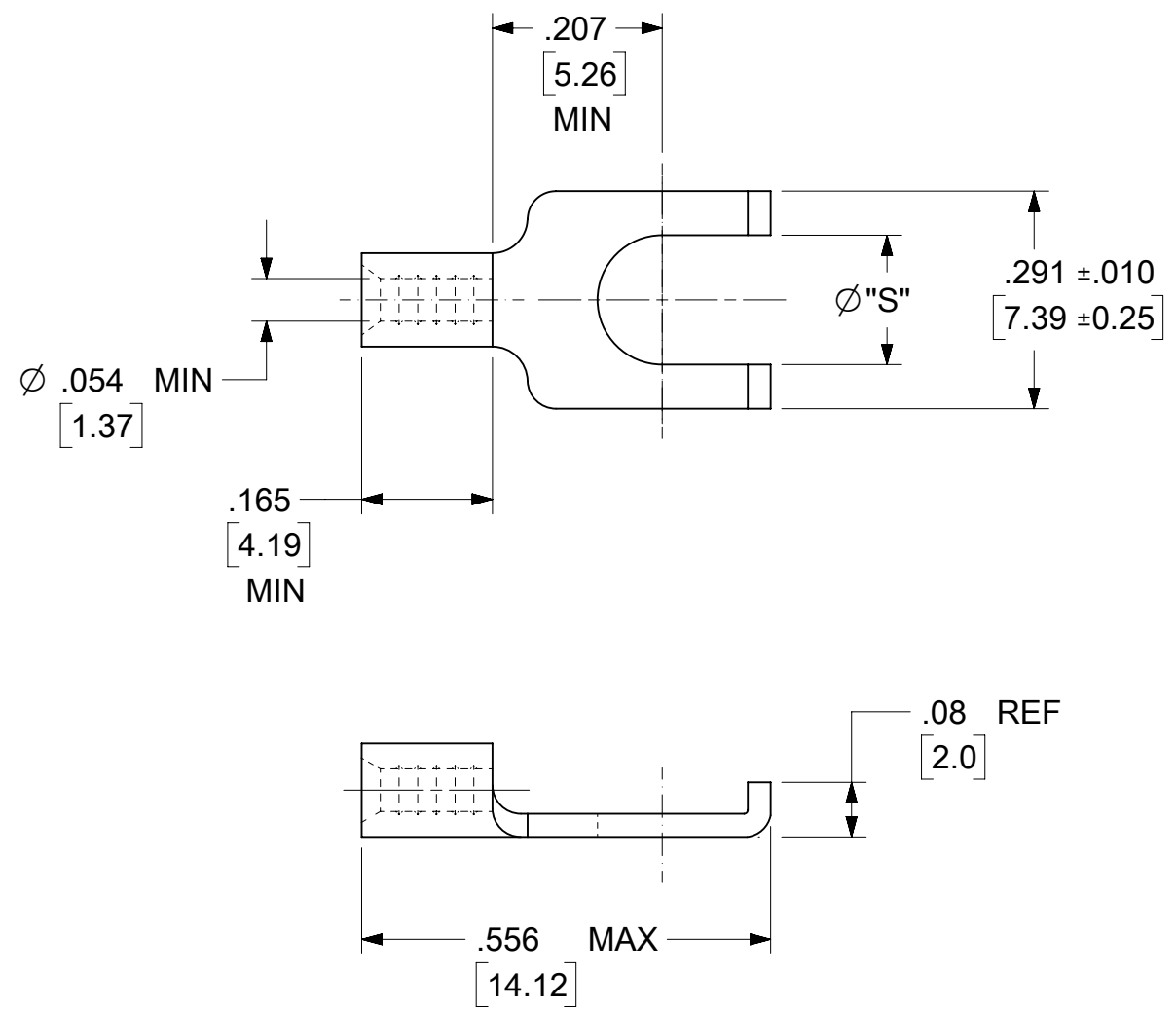


MAT'L NO.	ENG NO.	MAT'L NO. (TAPED)	ENG NO. (TAPED)	STUD SIZE	"S" ± .005 (0.13)
191180021	AA-115-06	191180022	AA-115-06T	6	.146(3.71)
191180023	AA-115-08	191180024	AA-115-08T	8	.173(4.39)
191180025	AA-115-10	----	----	10	.198(5.03)

(A1)



ALLOWABLE BENDING OF PARTS.
PARTS WILL FLATTEN OUT DURING INSTALLATION.

(A1)

NOTE(S):
1. MATERIAL: COPPER .031(0.78) THICK, REF.
2. PLATING: ELECTRO-TIN
3. PART IS RoHS COMPLIANT

FUNCTIONAL SYMBOLS		THIS DRAWING CONTAINS INFORMATION THAT IS PROPRIETARY TO MOLEX ELECTRONIC TECHNOLOGIES, LLC AND SHOULD NOT BE USED WITHOUT WRITTEN PERMISSION		CURRENT REV DESC: ADD ALLOWABLE BENDING DETAIL VIEW W/ DIMS.		molex	
FA = 0	INCH/MM	SCALE	4:1	EC NO: 708739			
FE = 0	GENERAL TOLERANCES (UNLESS SPECIFIED)		MM	INCH	DRWN: DMYRICK	2022/05/26	FLANGED SPADE TONGUE TERMINAL KRIMPTITE 100-SERIES
FD = 0	4 PLACES	±	±	0.005	CHKD: JMACNEIL	2022/06/01	
DIVISIONAL SYMBOLS		3 PLACES	±	±	APPR: JMACNEIL	2022/06/01	PRODUCT CUSTOMER DRAWING
		2 PLACES	±	±	INITIAL REVISION:	DOCUMENT NUMBER	DOC TYPE
		1 PLACE	±	±	DRWN:	SD-19118-003	PSD
		0 PLACES	±	±	APPR:	001	001
		ANGULAR TOL	±	°	THIRD ANGLE PROJECTION	1 A1	REVISION
		DRAFT WHERE APPLICABLE MUST REMAIN WITHIN DIMENSIONS		THIRD ANGLE PROJECTION	DRAWING	SERIES	MATERIAL NUMBER
				B-SIZE	19118	SEE CHART	CUSTOMER
						GENERAL MARKET	SHEET NUMBER
						1 OF 1	