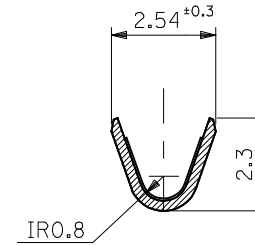
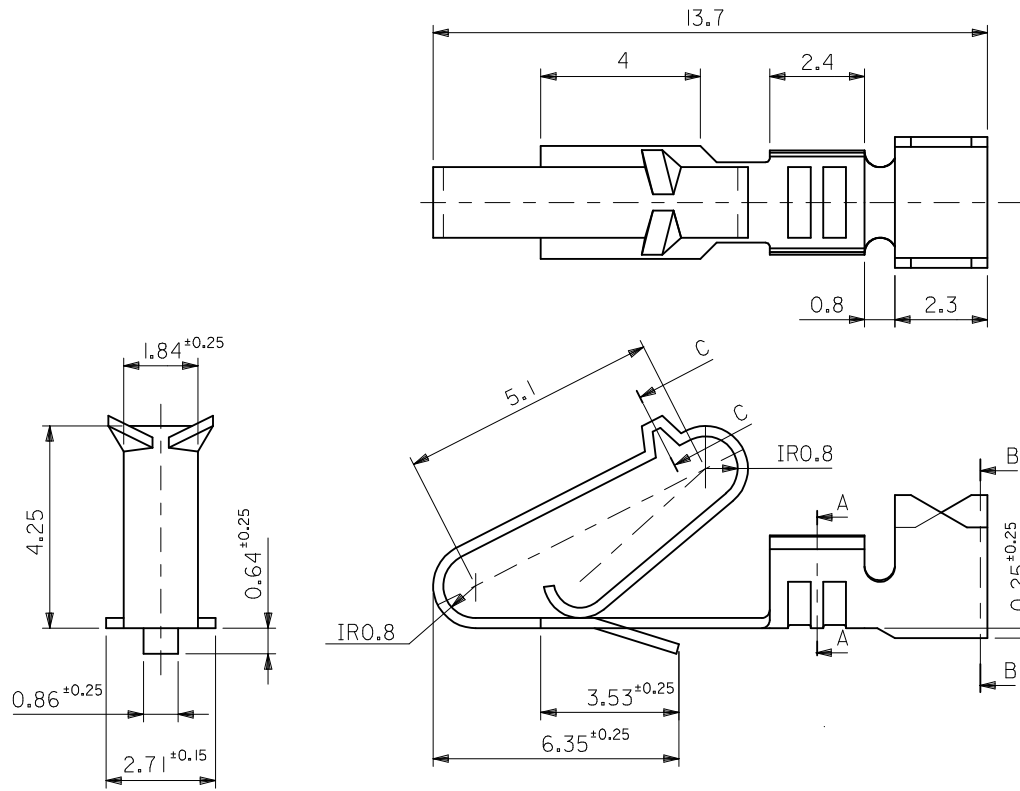
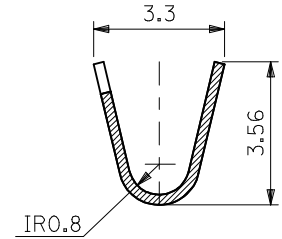


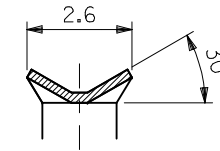
10 9 8 7 6 5 4 3 2 1



断面 A-A
SECTION A-A



断面 B-B
SECTION B-B



断面 C-C
SECTION C-C

注記
NOTE
一般公差 : ±0.4
角度 : ±3°
GENERAL TOLERANCES : ±0.4
ANGLE : ±3°

MATERIAL
SEE CHART

磷青銅 PHOSPHOR BRONZE	錫メッキ TIN PLATING	08-70-1034	5167PBT	バラ状 LOOSE
黄銅 BRASS	銅メッキ COPPER PLATING	08-70-0097	5167PBT	チェーン状 CHAIN
銅 MATERIAL	メッキ PLATE	EDP.NO.	ENG.NO.	形状 FORM

REVISED & REDRAWN EC NO: J2016-0865 DRWN: TMIYABE 2016/01/20 CHKD: KASAKAWA 2016/03/17 APPR: KANEKO 2016/03/18	GENERAL TOLERANCES (UNLESS SPECIFIED)			DIMENSION STYLE MM ONLY		SCALE 8:1	DESIGN UNITS METRIC	THIRD ANGLE PROJECTION	
	0.25 UNDER	UNDER	±0.03	DRAWN BY	DATE	TITLE			
	0.25 OVER	0.5 UNDER	±0.05	TMIYABE	2016/01/20	STD KK CRIMP REC			
	0.5 OVER	1.0 UNDER	±0.1	CHECKED BY	DATE				
	1.0 OVER	10 UNDER	±0.2	KASAKAWA					
10 OVER	30 UNDER	±0.25	APPROVED BY	DATE					
30 OVER		±0.3	TKANEKO	2016/03/18					
ANGULAR	±3 °		MATERIAL NO.	SEE CHART		DOCUMENT NO.	SD-5167-002		
DRAFT WHERE APPLICABLE MUST REMAIN WITHIN DIMENSIONS			SIZE A3	THIS DRAWING CONTAINS INFORMATION THAT IS PROPRIETARY TO MOLEX ELECTRONIC TECHNOLOGIES, LLC AND SHOULD NOT BE USED WITHOUT WRITTEN PERMISSION					

9 8 7 6 5 4 3 2 1