



Important Notice to our Customers

Product Change Notice #: VI20210202

Date: February 4, 2021

To Our Valued Customer:

This is to inform you of specification change to Vicor NBM2317S60E1560T0R.

PCN Type:

Package Outline Drawing Improvement

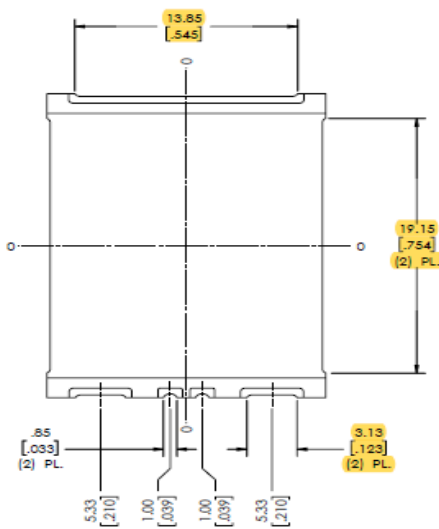
Products Affected (current active model):

NBM2317S60E1560T0R

Proposed Change:

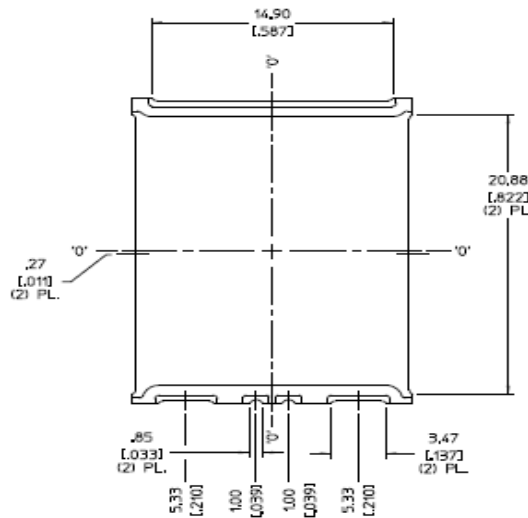
This notice is to make you aware of a change to the NBM2317S60E1560T0R package outline drawing.

New Package Dimensions



BOTTOM VIEW

Present Package Dimensions



BOTTOM VIEW

Reason for the change:

This change is to improve panel level handling in the Vicor factory.

Effective Date:

Immediately

Actions Required:

Customers should note that this change will have **no** impact on form, fit, function including product electrical performance and soldering guidelines.

Company contact for technical questions:

Applications Engineering Vicor Corporation
25 Frontage Road
Andover, MA
Phone: (978) 470-2900
apps@vicorpower.com