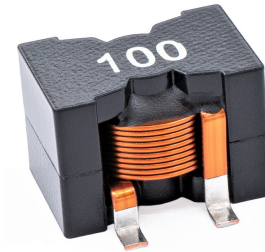
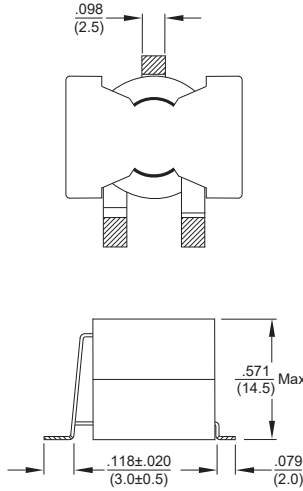
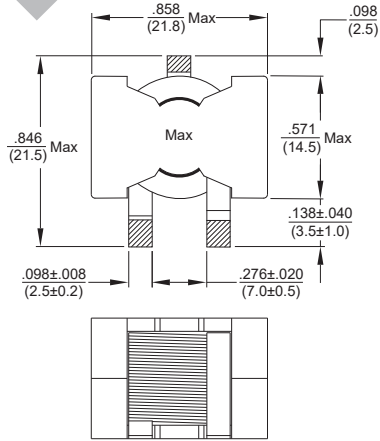




Flat Wire SMD Power Inductor

FWPQ2014



Features

- Flat Wire SMD Power Choke
- Ultra Low DCR
- High Saturation Current up to 60A
- Low Magnetic Loss

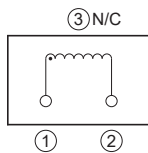
Electrical

Inductance Range: 2.2μH - 33.0μH
Tolerance: 20%
Test Frequency: 100KHz, 0.1V
Operating Temp: -40°C to +125 °C
I_{rms}: Current at which the temperature rise will not exceed 40 °C above ambient
I_{sat}: Current at which the inductance will drop by no more than 20% from its initial Inductance without current

Physical

Packaging: 100 per Reel | 400 per Carton
Marking: EIA Code

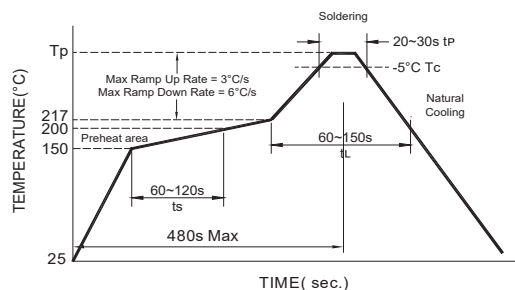
Schematic



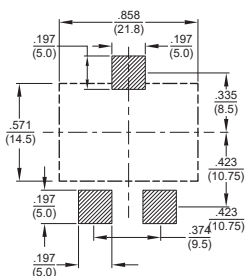
| Allied Part Number | Inductance (μH) ±20% | DCR | | I _{sat} (A) Typical | I _{rms} (A) Typical |
|--------------------|----------------------|--------------|-----------|------------------------------|------------------------------|
| | | (mΩ) Typical | (mΩ) Max. | | |
| FWPQ2014-2R2M-RC | 2.2 | 1.70 | 2.20 | 60.0 | 28.0 |
| FWPQ2014-2R6M-RC | 2.6 | 1.70 | 2.20 | 49.0 | 28.0 |
| FWPQ2014-3R3M-RC | 3.3 | 3.28 | 3.80 | 48.0 | 24.0 |
| FWPQ2014-4R7M-RC | 4.7 | 3.28 | 3.80 | 35.0 | 24.0 |
| FWPQ2014-5R6M-RC | 5.6 | 3.28 | 3.80 | 30.0 | 24.0 |
| FWPQ2014-6R8M-RC | 6.8 | 6.60 | 7.30 | 34.0 | 18.0 |
| FWPQ2014-8R2M-RC | 8.2 | 6.60 | 7.30 | 29.0 | 18.0 |
| FWPQ2014-100M-RC | 10.0 | 6.60 | 7.30 | 23.0 | 18.0 |
| FWPQ2014-150M-RC | 15.0 | 8.60 | 9.50 | 18.0 | 16.0 |
| FWPQ2014-160M-RC | 16.0 | 8.60 | 9.50 | 18.0 | 16.0 |
| FWPQ2014-220M-RC | 22.0 | 8.60 | 9.50 | 13.0 | 16.0 |
| FWPQ2014-330M-RC | 33.0 | 8.60 | 9.50 | 9.00 | 16.0 |

All specifications subject to change without notice.

Reflow Soldering



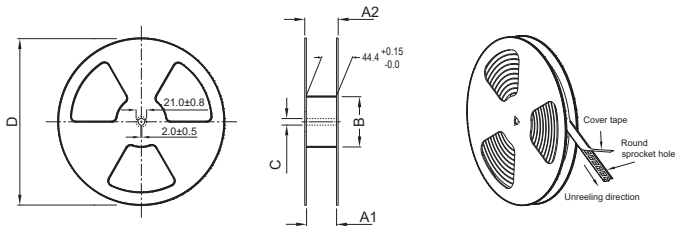
Recommended Land Pattern





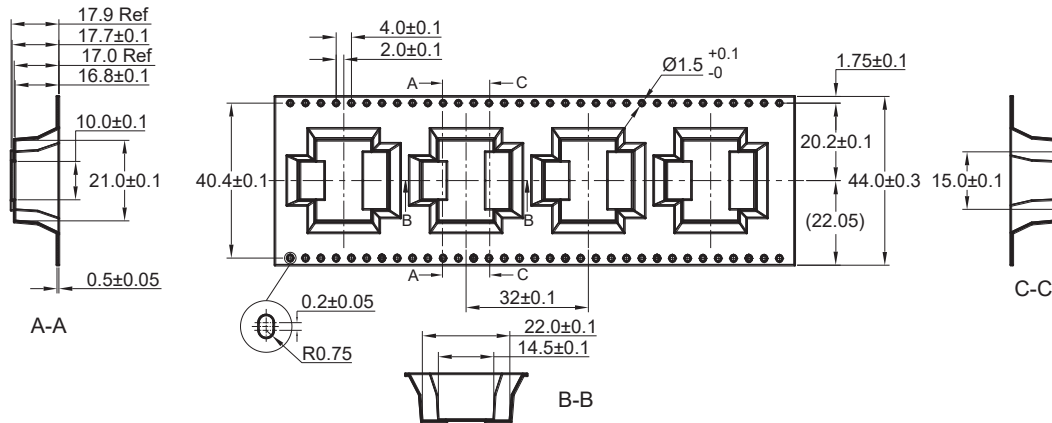
Packaging Information

Reel Dimension



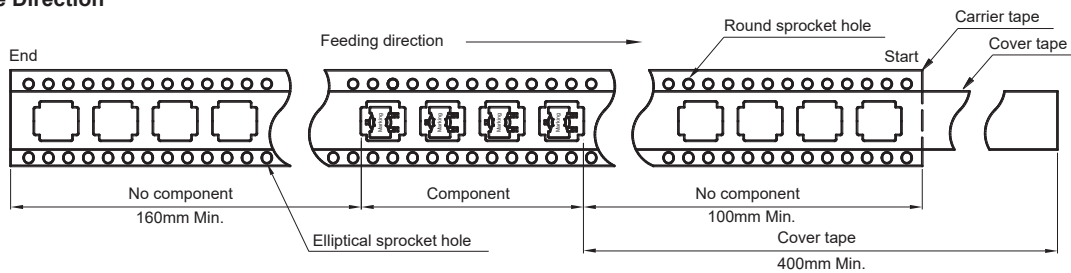
| A1(mm) | A2(mm) | B(mm) | C(mm) | D(mm) |
|----------|----------|---------|----------|---------|
| 44.9 Min | 50.4 Max | 100 Min | 13.0±0.5 | 330±2.0 |

Tape Dimension

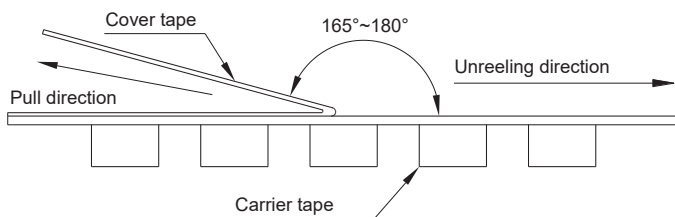


• Packing is referred to the international standard IEC 60286-3

Tape Direction



Tearing Off Force



- Cover tape peel force shall be 0.1 to 1.3N.
- Reference peel speed 300 ±10mm/min.