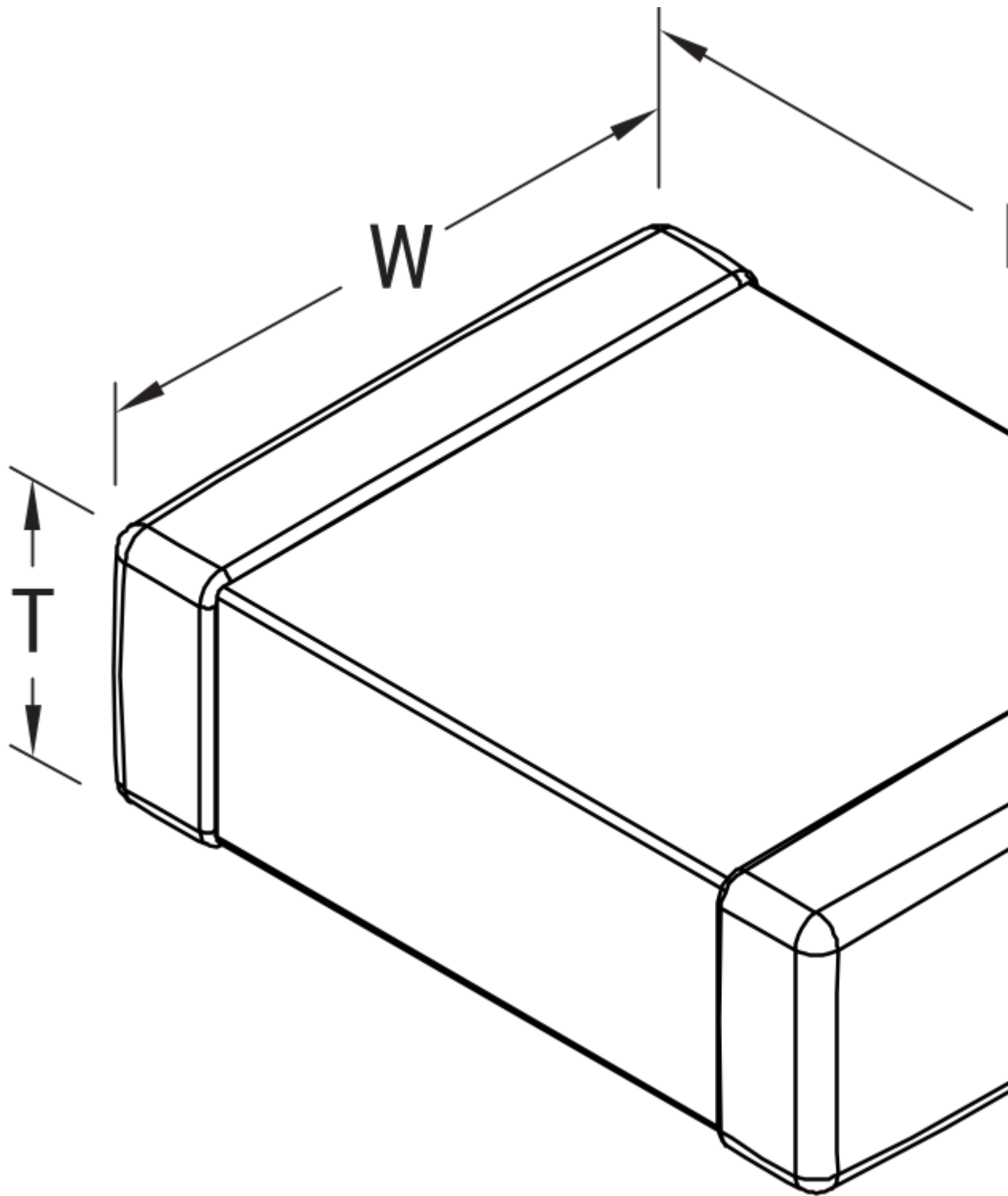


# C1210C126K4PACTU

## Aliases (C1210C126K4PAC7800)

SMD Comm X5R, Ceramic, 12 uF, 10%, 16 VDC, X5R, SMD, MLCC, Temperature Stable, Class II, 1210



Click [here](#) for the 3D model.

### Dimensions

Chip Size 1210

L 3.2mm +/-0.2mm

W 2.5mm +/-0.2mm

### Dimensions

T 1.25mm +/-0.15mm

B 0.5mm +/-0.25mm

### Packaging Specifications

Packaging T&R, 180mm, Plastic Tape

Packaging Quantity 2500

### General Information

Series SMD Comm X5R

Style SMD Chip

Description SMD, MLCC, Temperature Stable, Class II

Features Temperature Stable, Class II

RoHS Yes

Termination Tin

Marking No

AEC-Q200 No

Component Weight 65 mg

Shelf Life 78 Weeks

MSL 1

### Specifications

Capacitance 12 uF

Measurement Condition 120 Hz 0.5Vrms

Capacitance Tolerance 10%

Voltage DC 16 VDC

Dielectric Withstanding Voltage 40 VDC

Temperature Range -55/+85°C

Temperature Coefficient X5R

Capacitance Change with Reference to +25°C and 0 VDC Applied (TCC) 15%, 120Hz 0.5Vrms

Dissipation Factor 10% 120 Hz 0.5Vrms

Aging Rate 5% Loss/Decade Hour: Referee Time is 1000 Hours

Insulation Resistance 8.3 MOhms

Statements of suitability for certain applications are based on our knowledge of typical operating conditions for such applications, but are not intended to constitute - and we specifically disclaim - any warranty concerning suitability for a specific customer application or use. This Information is intended for use only by customers who have the requisite experience and capability to determine the correct products for their application. Any technical advice inferred from this Information or otherwise provided by us with reference to the use of our products is given gratis, and we assume no obligation or liability for the advice given or results obtained.

Generated 5/18/2023 - 4beae242-eede-43b8-9715-47dec4ff3c5a

© 2006 - 2023 KEMET

Generated 5/18/2023 - 4beae242-eede-43b8-9715-47dec4ff3c5a

© 2006 - 2023 KEMET