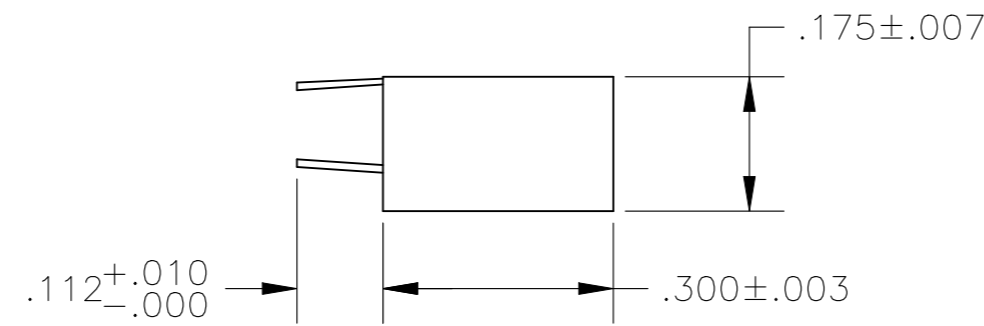
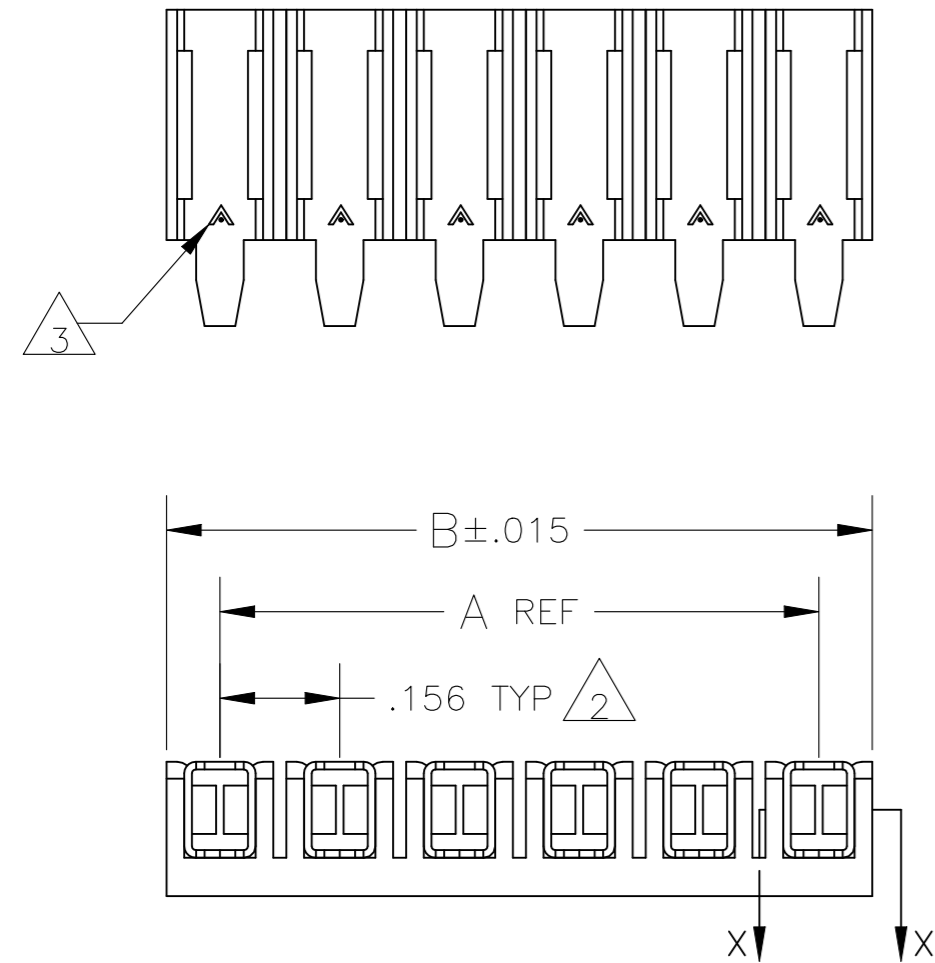
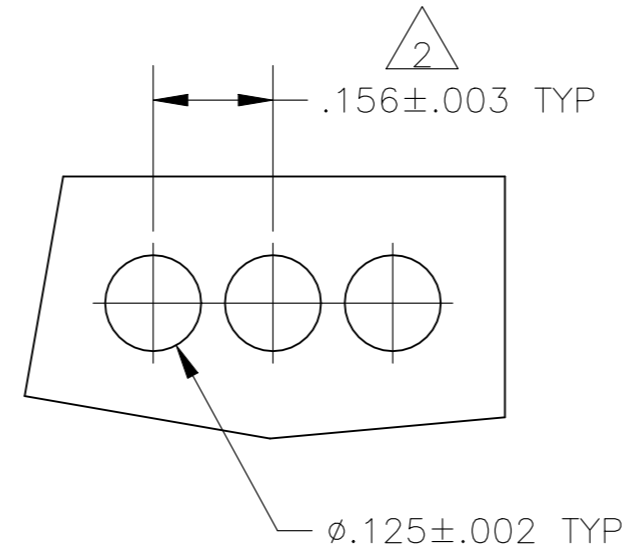
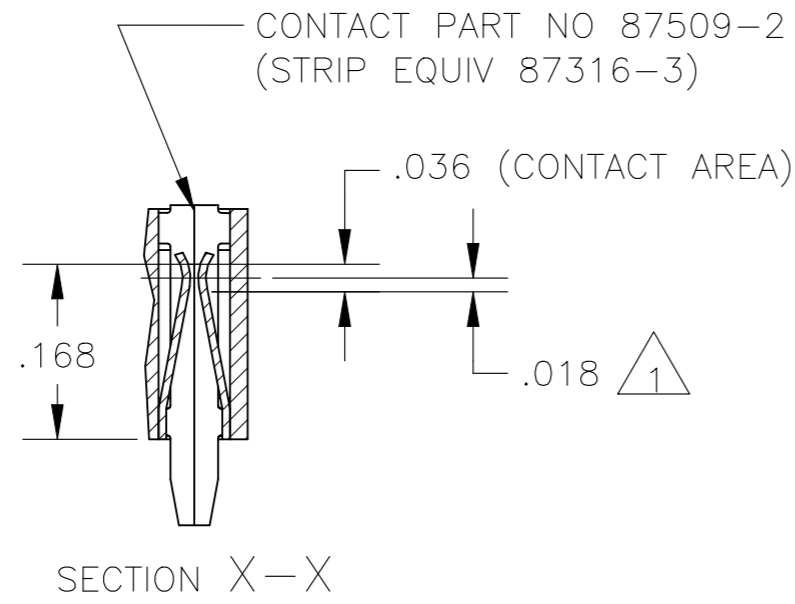


| REVISIONS | | | | | |
|-----------|-----|---------------------------------------|-----------|-----|------|
| P | LTR | DESCRIPTION | DATE | DWN | APVD |
| M | | RESIN SUPPLIER CHANGE FOR THE HOUSING | 10MAY2022 | SCB | PS |

- 1 POINT OF MEASUREMENT FOR PLATING THICKNESS (INSIDE OF BEAMS).
- 2 TOLERANCE NON-CUMULATIVE.
- 3 THE MATING END OF THE CONTACT IS IDENTIFIED BY THE LETTER "A" STAMPED ON THE RECEPTACLE BOX.
- 4 OBSOLETE PARTS: OBSOLETE CIS STREAMLINING PER D.RENAUD/D.SINISI



| | | | | |
|---------------|-------|-------|------------|----------------------|
| OBSOLETE 4 | 3.120 | 2.964 | 20 | 2-87993-0 |
| | 2.964 | 2.808 | 19 | 1-87993-9 |
| | 2.808 | 2.652 | 18 | 1-87993-8 |
| | 2.652 | 2.496 | 17 | 1-87993-7 |
| OBSOLETE 4 | 2.496 | 2.340 | 16 | 1-87993-6 |
| | 2.340 | 2.184 | 15 | 1-87993-5 |
| | 2.184 | 2.028 | 14 | 1-87993-4 |
| | 2.028 | 1.872 | 13 | 1-87993-3 |
| | 1.872 | 1.716 | 12 | 1-87993-2 |
| | 1.716 | 1.560 | 11 | 1-87993-1 |
| | 1.560 | 1.404 | 10 | 1-87993-0 |
| OBSOLETE 4 | 1.404 | 1.248 | 9 | 87993-9 |
| | 1.248 | 1.092 | 8 | 87993-8 |
| | 1.092 | .936 | 7 | 87993-7 |
| OBSOLETE 4 | .936 | .780 | 6 | 87993-6 |
| | .780 | .624 | 5 | 87993-5 |
| | .624 | .468 | 4 | 87993-4 |
| | .468 | .312 | 3 | 87993-3 |
| | .312 | .156 | 2 | 87993-2 |
| | B | A | NO OF POSN | ASSEMBLY PART NUMBER |

THIS DRAWING IS A CONTROLLED DOCUMENT.

DWN L A MAYER 19MAR86
CHK P C DEJONG 19MAR86
APVD P C DEJONG 19MAR86

TE Connectivity

ASSY, MOD I, BOARD MOUNT RECP,
.156 CL. , HIGH PRESSURE, TYPE A,
FOR ROUND HOLE MOUNTING

PRODUCT SPEC 108-25,016
APPLICATION SPEC 114-25,004

SIZE A2 CAGE CODE 00779 DRAWING NO C=87993

RESTRICTED TO

MATERIAL: HOUSING-FLAME RETARDANT THERMOPLASTIC, COLOR-BLACK CONTACTS- PHOS BRONZE
FINISH CONTACTS: .000079 MIN TIN

WEIGHT -

CUSTOMER DRAWING

SCALE 4:1 SHEET 1 OF 1 REV M