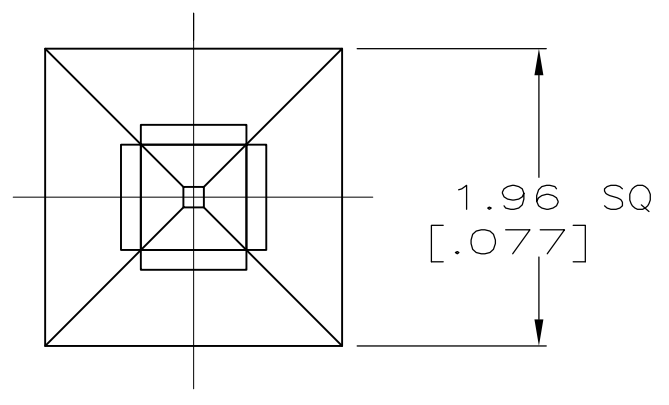
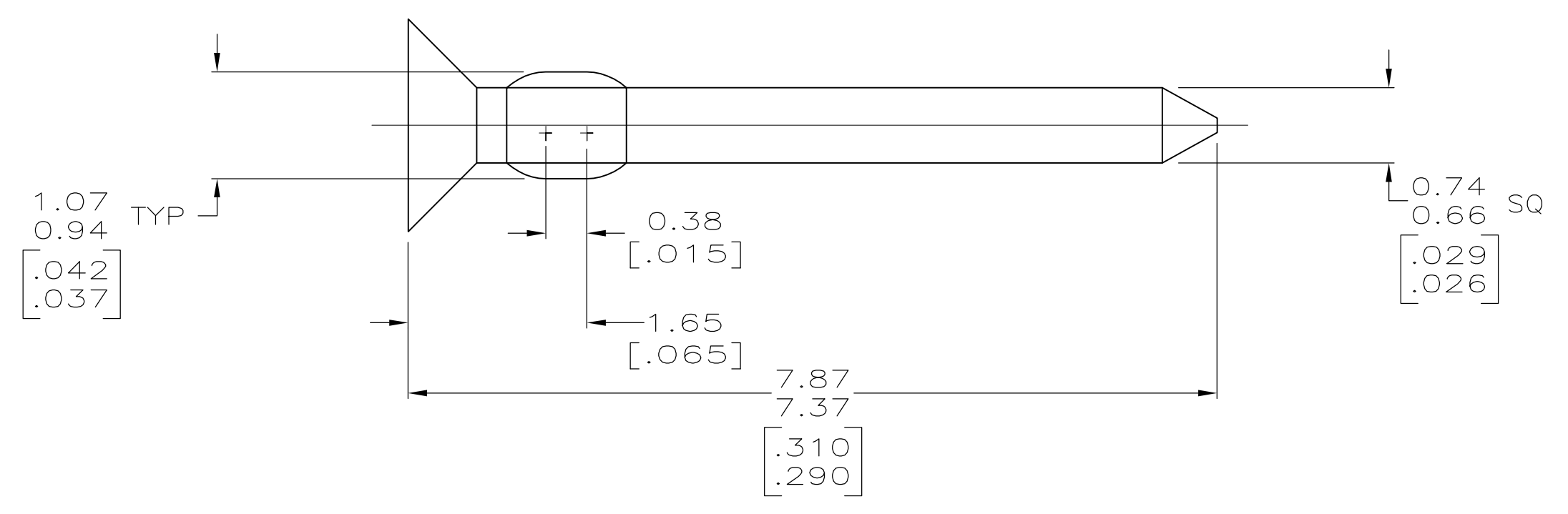
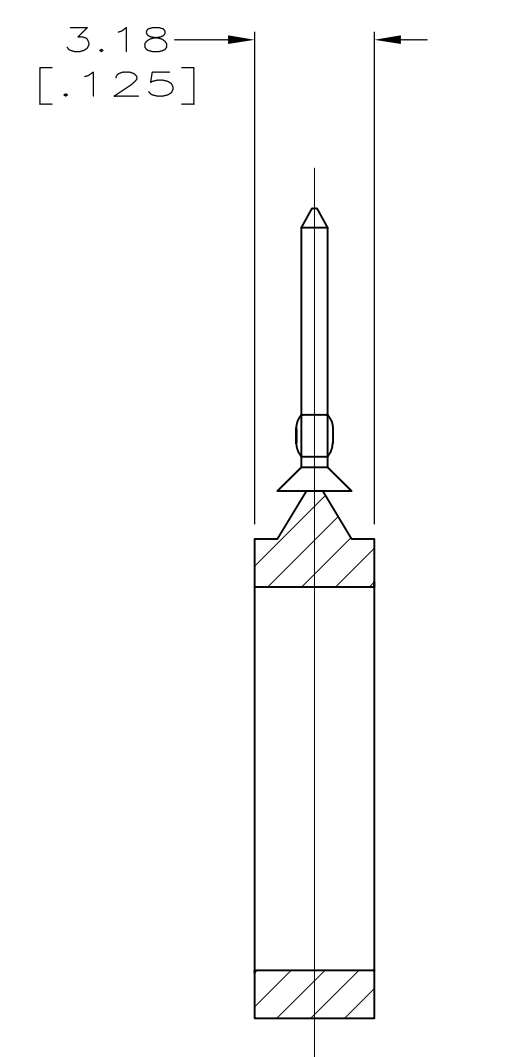


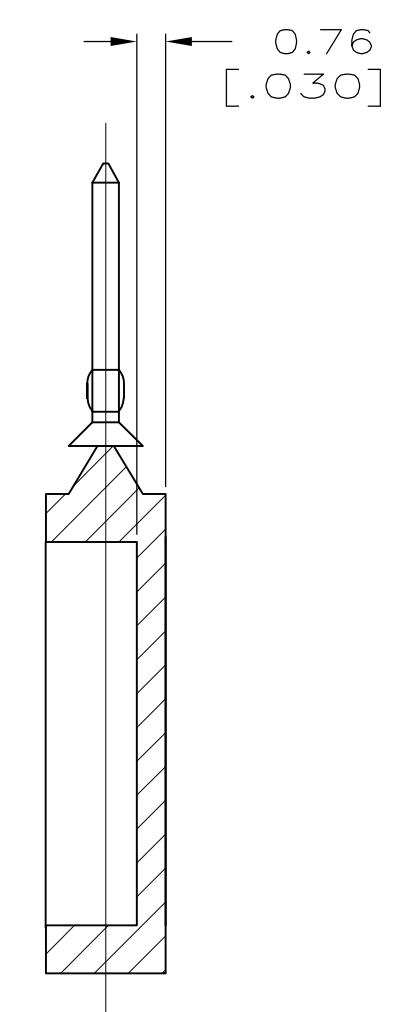
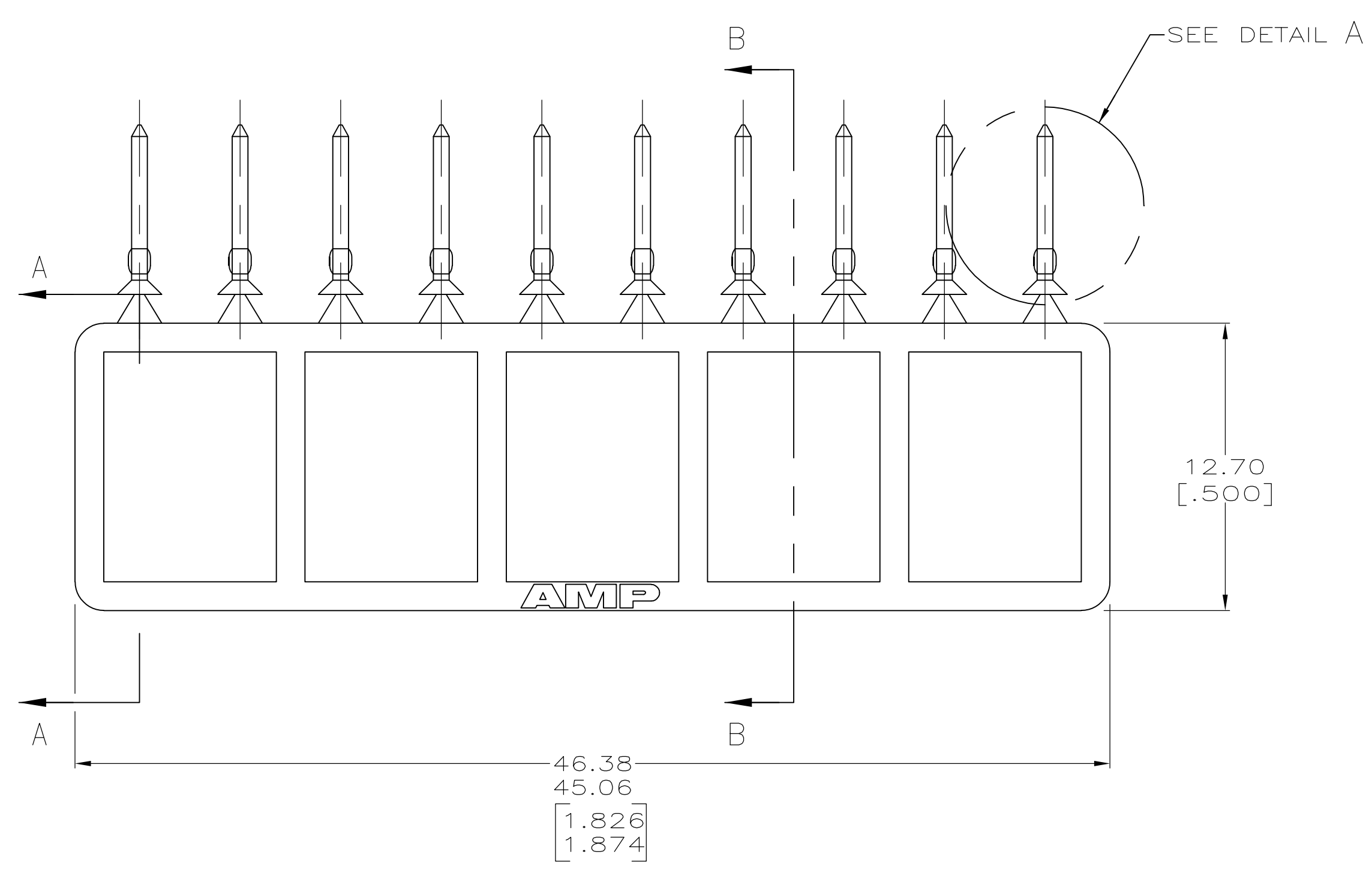
1. DIMENSIONS IN BRACKETS ARE IN INCHES.
2. NOTE ONE STRIP IS ORDERED AS 10 PIECES OF 641994-1.
3. MISALIGNMENT OF KEYING PLUGS ON CARRIER STRIP IS ALLOWABLE. KEYING PLUGS MUST REMAIN ATTACHED TO CARRIER.



DETAIL A
SCALE 20:1
ROTATED 90° CW



SECTION A-A



SECTION B-B
OPTIONAL CONSTRUCTION
2 PLC

641994-1
PART NUMBER

METRIC

THIS DRAWING IS A CONTROLLED DOCUMENT.		DWN D.Z 28JAN2016	TE Connectivity	
DIMENSIONS: mm [INCHES]		CHK D.Z 28JAN2016	NAME KEYING PLUG WITH CARRIER STRIP, MTA 100	
TOLERANCES UNLESS OTHERWISE SPECIFIED:		APRD P.Q	PRODUCT SPEC	
0 PLC	± -	APPLICATION SPEC		
1 PLC	± -	SIZE		
2 PLC	± -	CAGE CODE		
3 PLC	± 0.13 [.005]	DRAWING NO		
4 PLC	± -	RESTRICTED TO		
ANGLES	± -	A1 00779 C=641994		
FINISH	-	WEIGHT		
MATERIAL NYLON, 6/6		CUSTOMER DRAWING		
		SCALE 5:1 SHEET 1 OF 1 REV D3		