

- 注記:
NOTES:
- 材料及び仕上げ(めっき仕様): TABLE 1, TABLE2 参照
MATERIAL AND FINISHES (PLATING SPECIFICATION): SEE TABLE 1, TABLE2.
 - 製品仕様書、コネクタ取扱説明書、適合嵌合相手、適合リテーナーはSHEET 4をご参照下さい。
PLEASE REFER TO SHEET 4 FOR PRODUCT SPECIFICATION, APPLICATION SPECIFICATION, MATE WITH AND APPLICABLE RETAINER.
 - 端子テール部及びネイルの平坦度: 0.12 MAXIMUM
TAIL AND NAIL COPLANARITY TO BE 0.12 MAXIMUM
 - 極数 / 2 = 偶数に適合
APPLY TO CIRCUIT SIZE / 2 = EVEN.
 - 発注番号: SHEET 4 参照
ORDER NUMBER: PLEASE REFER TO SHEET 4

505448**7*

極数
CIRCUIT SIZE

NO.	ハウジングカラー HOUSING COLOR
0	ナチュラル(ベージュ) NATURAL(BEIGE)
1	黒 BLACK
2	赤 RED
4	青 BLUE
6	緑 GREEN

29.4	26.25	25	30.85	42
28.15	25	23.75	29.6	40
26.9	23.75	22.5	28.35	38
25.65	22.5	21.25	27.1	36
24.4	21.25	20	25.85	34
23.15	20	18.75	24.6	32
21.9	18.75	17.5	23.35	30
20.65	17.5	16.25	22.1	28
19.4	16.25	15	20.85	26
18.15	15	13.75	19.6	24
16.9	13.75	12.5	18.35	22
15.65	12.5	11.25	17.1	20
14.4	11.25	10	15.85	18
13.15	10	8.75	14.6	16
11.9	8.75	7.5	13.35	14
10.65	7.5	6.25	12.1	12
9.4	6.25	5	10.85	10
8.15	5	3.75	9.6	8
D	C	B	A	極数 CIRCUIT SIZE

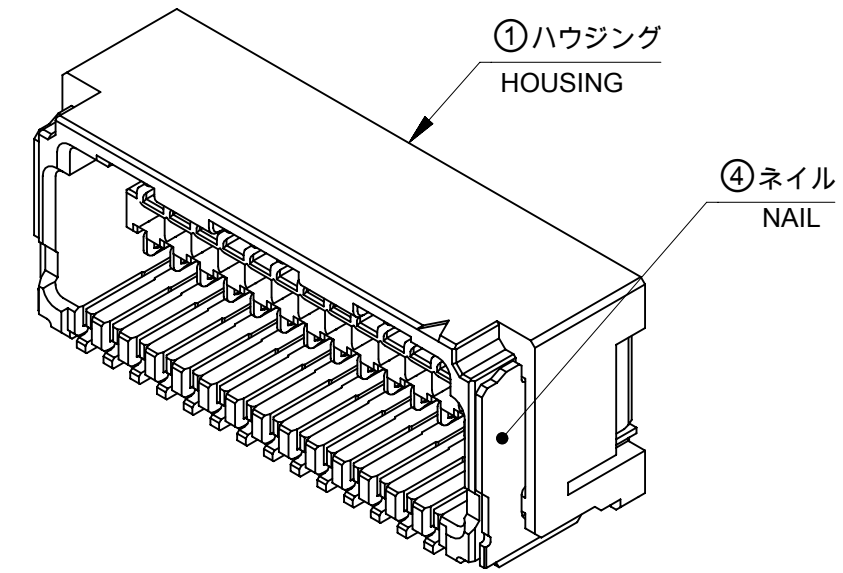
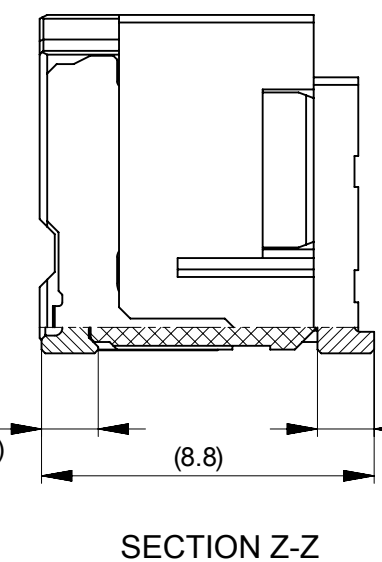
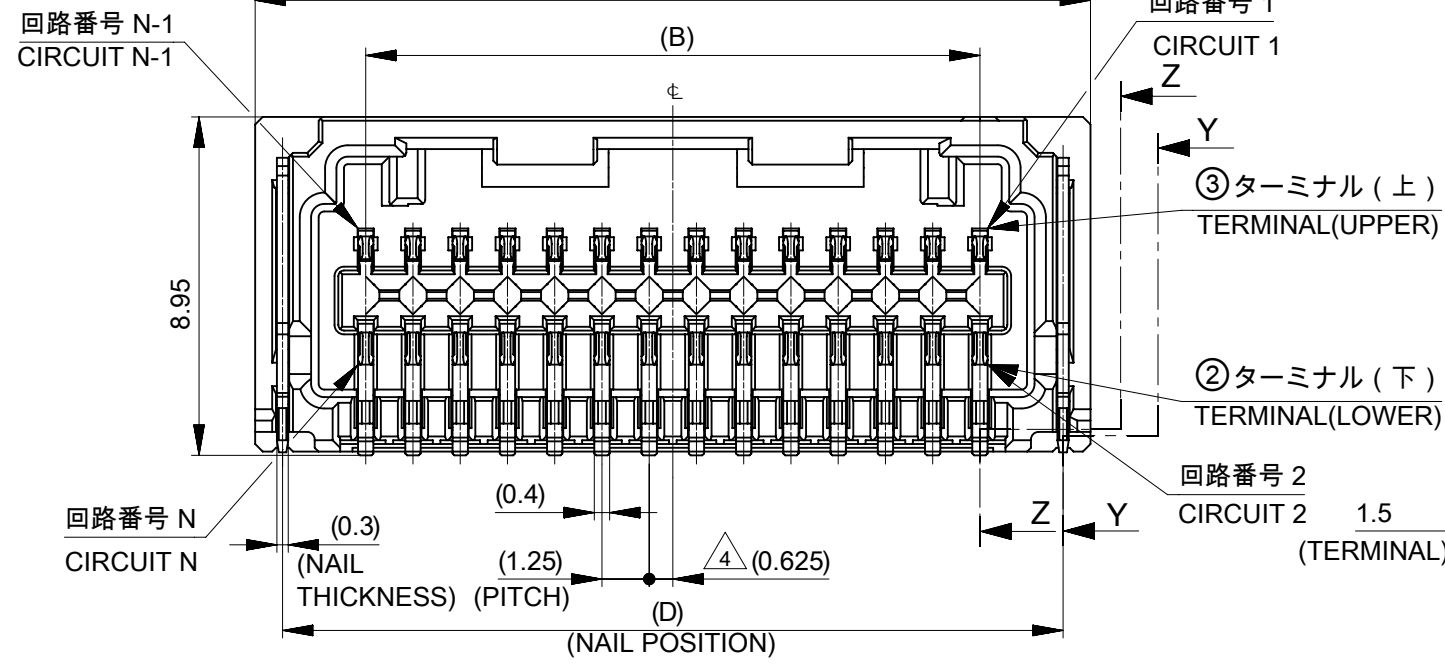
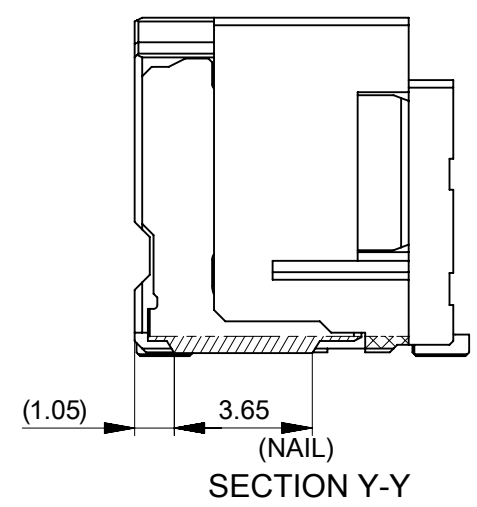
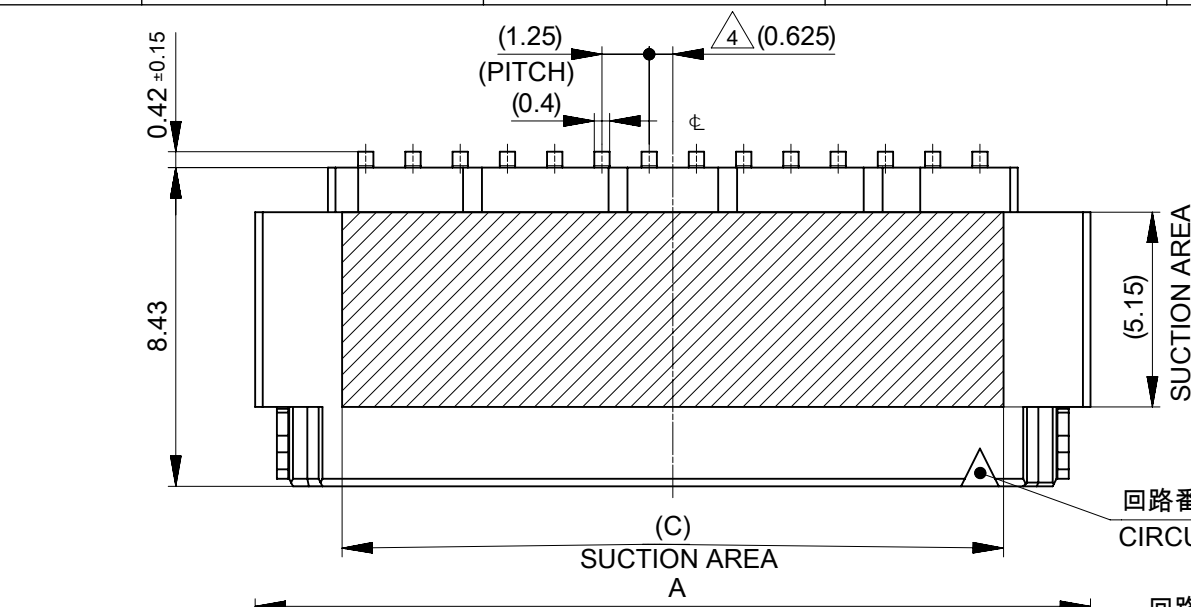


TABLE 1

番号 NO.	部品 PART	材質 MATERIAL
①	ハウジング HOUSING	ポリアミド(PA), UL94V-0, 色: SHEET 4参照 POLYAMIDE(PA), UL94V-0, COLOR: SEE SHEET 4
②	ターミナル 及び ネイル	黄銅 BRASS
③	TERMINAL	錫ビスマスめっき: 1.0 MICROMETER MINIMUM TIN-BISMUTH PLATING
④	AND NAIL	ニッケルめっき(下地めっき): 1.0 MICROMETER MINIMUM NICKEL PLATING (UNDER PLATING)

DOCUMENT STATUS | P1 | RELEASE DATE | 2023/02/16 | 15:22:26

THIS DRAWING CONTAINS INFORMATION THAT IS PROPRIETARY TO MOLEX ELECTRONIC TECHNOLOGIES, LLC AND SHOULD NOT BE USED WITHOUT WRITTEN PERMISSION

DIMENSION UNITS mm	SCALE NTS	CURRENT REV DESC:	
GENERAL TOLERANCES (UNLESS SPECIFIED)		EC NO: 736271	
ANGULAR TOL	± 3.0°	DRWN: SOKUMURA01	2023/02/01
4 PLACES	± 0.2	CHK'D: SAKIYAMA	2023/02/16
3 PLACES	± 0.2	APPR: AIDA	2023/02/16
2 PLACES	± 0.2	INITIAL REVISION:	
1 PLACE	± 0.2	DRWN: TAKAIKE	2017/01/18
0 PLACES	± 0.2	APPR: TKANEKO	2017/04/03
DRAFT WHERE APPLICABLE MUST REMAIN WITHIN DIMENSIONS		THIRD ANGLE PROJECTION	DRAWING A3-SIZE
		SERIES 505448	MATERIAL NUMBER SEE SHEET 4
		CUSTOMER GENERAL	SHEET NUMBER 1 OF 4

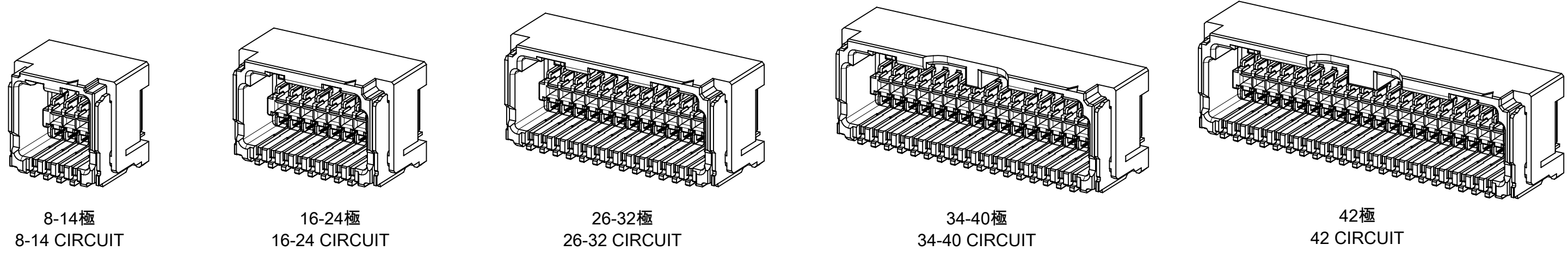
molex

MICRO-LOCK PLUS 1.25 W/B
DUAL ROW RIGHT ANGLE SMT PLUG ASSEMBLY
TIN-BISMUTH PLATING

PRODUCT CUSTOMER DRAWING

DOCUMENT NUMBER: 5054480000 | DOC TYPE: PSD | DOC PART: 000 | REVISION: D

製品形状
PRODUCT SHAPE



8-14極
8-14 CIRCUIT

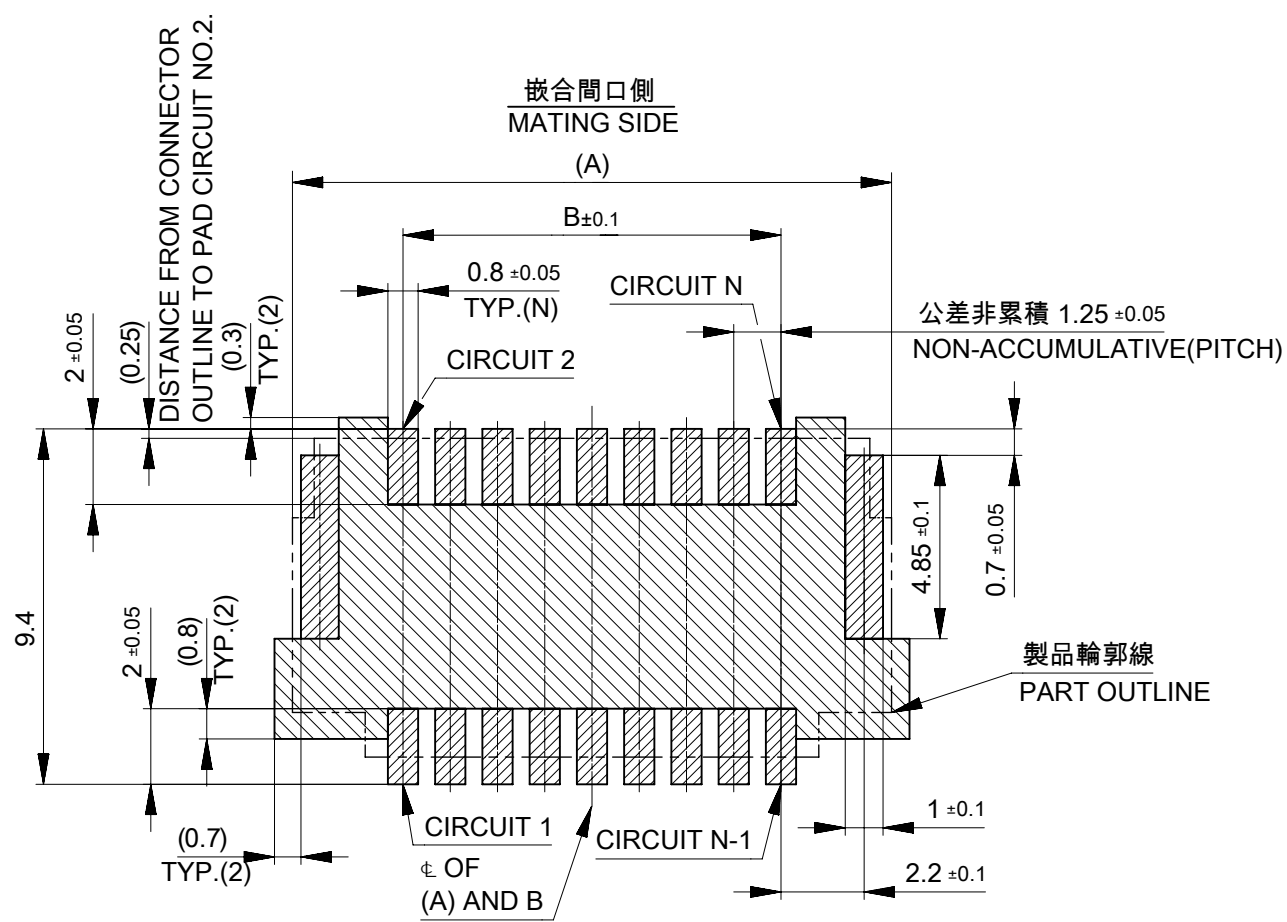
16-24極
16-24 CIRCUIT

26-32極
26-32 CIRCUIT

34-40極
34-40 CIRCUIT

42極
42 CIRCUIT

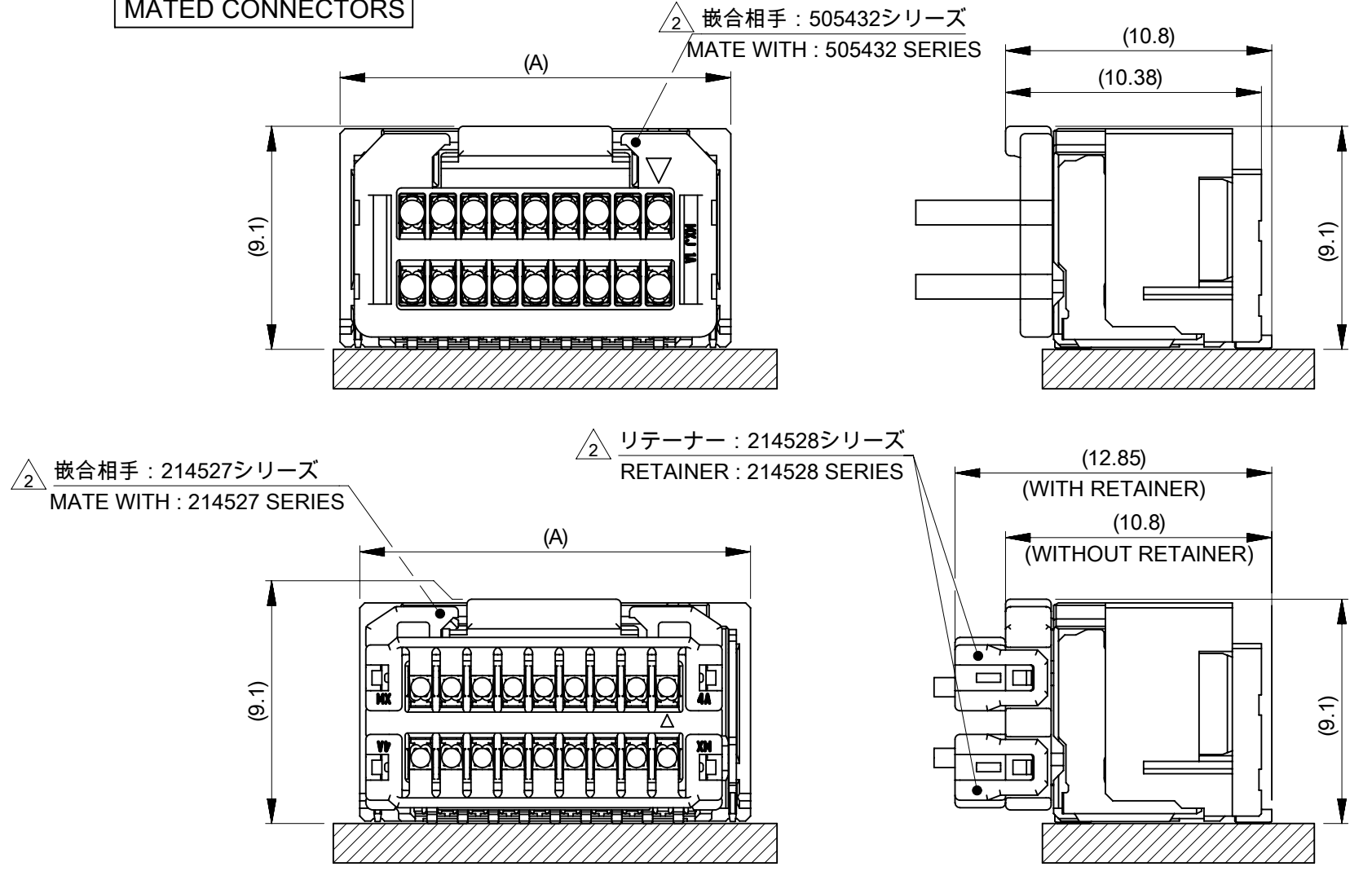
基板パターンレイアウト
PCB PATTERN LAYOUT



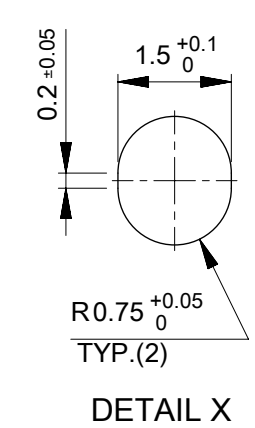
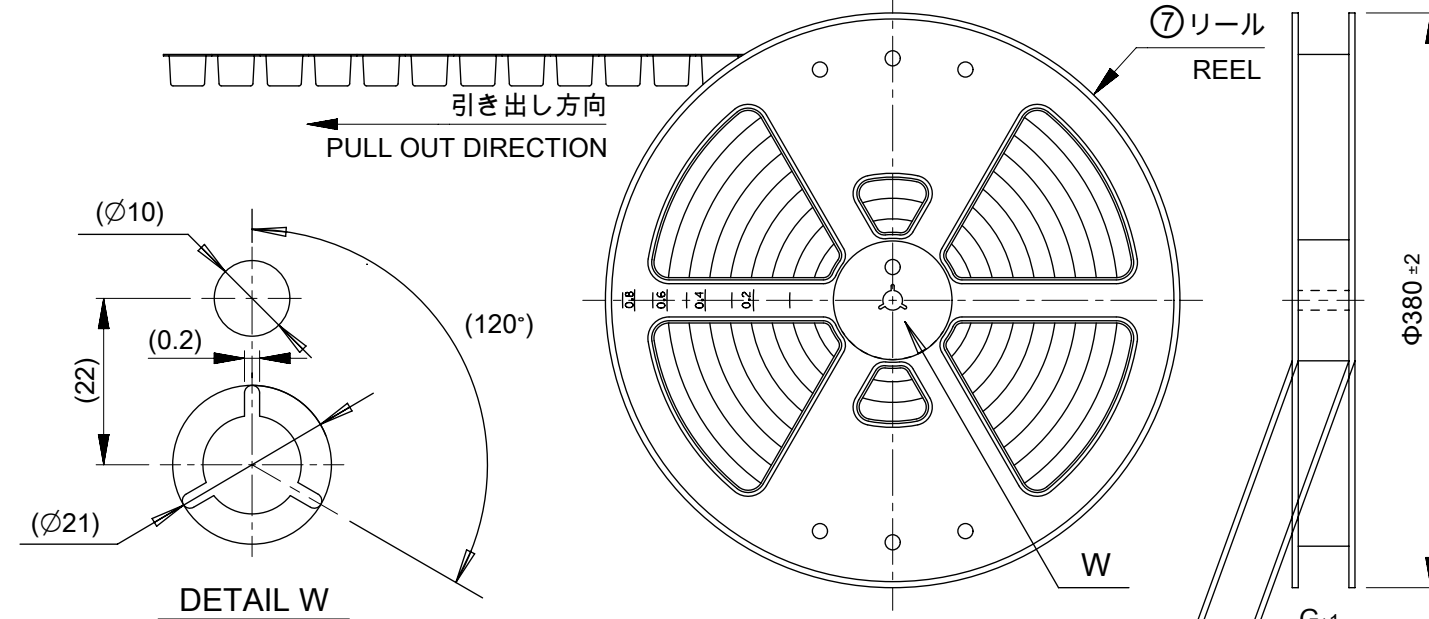
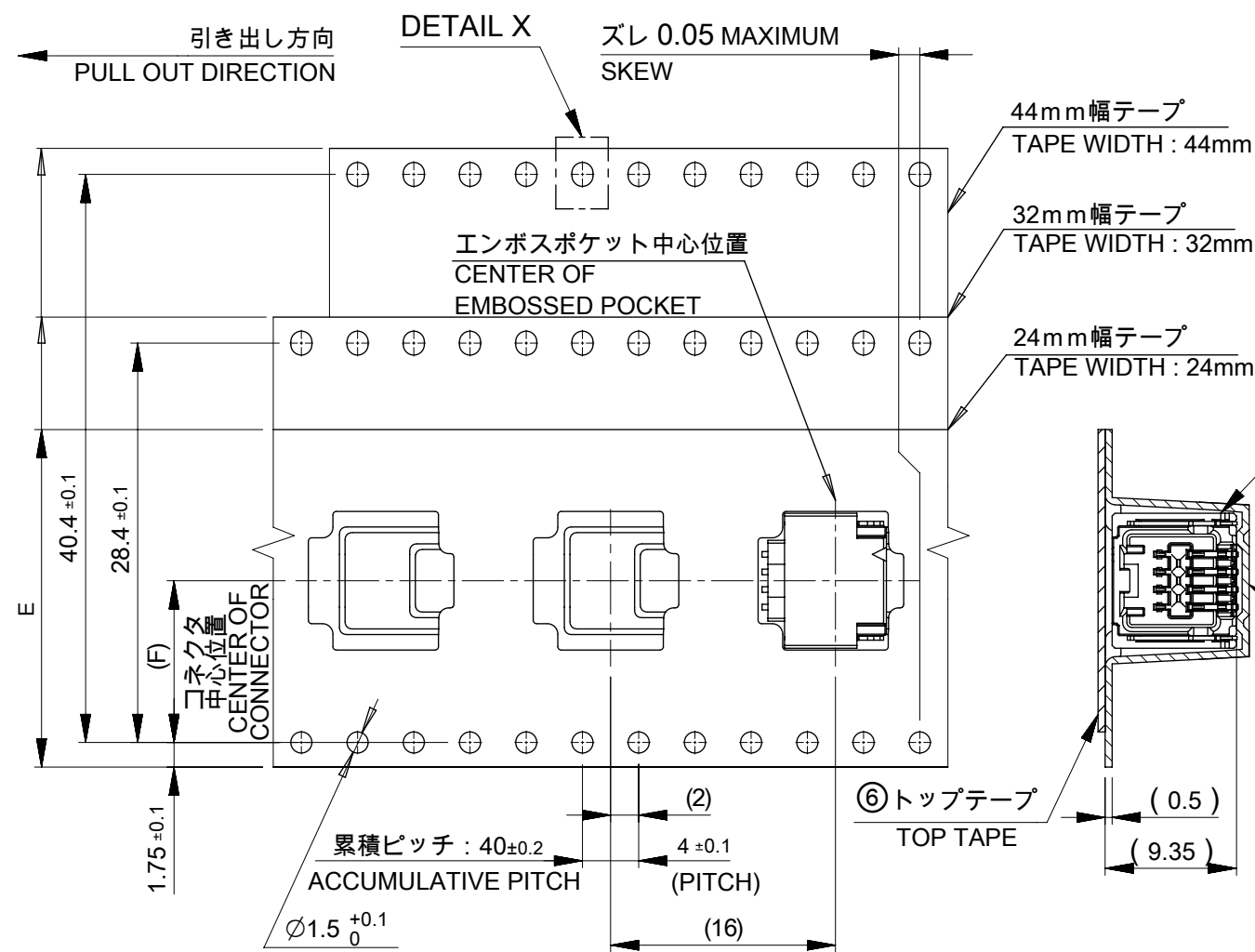
基板パターンレイアウト (参考)
(参考: 基板厚 1.6mm, メタルマスク厚さ 0.15mm, マスク開口率 100%)
RECOMMEND PCB LAYOUT : COMPONENT SIDE
(REFERENCE : PCB THICKNESS 1.6mm, STENCIL THICKNESS 0.15mm, APERTURE RATIO 100%)

パターン非推奨エリア
パターンを引き回す際は、製品機能に影響がないことをご確認ください。
PATTERN IS NOT RECOMMENDED ON THE HATCHING AREA
PLEASE CHECK NOT TO HAVE PROBLEM FOR PRODUCT FUNCTION
WHEN SETTING PATTERN ON THE HATCHING AREA.

嵌合状態図
MATED CONNECTORS

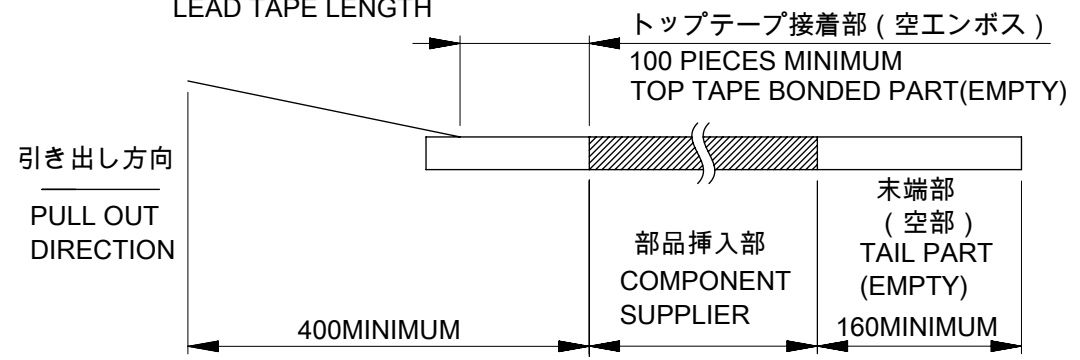


THIS DRAWING CONTAINS INFORMATION THAT IS PROPRIETARY TO MOLEX ELECTRONIC TECHNOLOGIES, LLC AND SHOULD NOT BE USED WITHOUT WRITTEN PERMISSION		CURRENT REV DESC:		molex	
DIMENSION UNITS	SCALE				
mm	NTS			MICRO-LOCK PLUS 1.25 W/B DUAL ROW RIGHT ANGLE SMT PLUG ASSEMBLY TIN-BISMUTH PLATING	
GENERAL TOLERANCES (UNLESS SPECIFIED)				PRODUCT CUSTOMER DRAWING	
ANGULAR TOL	± 3.0 °			DOCUMENT NUMBER	
4 PLACES	± 0.2	EC NO: 736271	2023/02/01	5054480000	
3 PLACES	± 0.2	DRWN: SOKUMURA01	2023/02/16	DOC TYPE	DOC PART
2 PLACES	± 0.2	CHK'D: SAKIYAMA	2023/02/16	PSD	000
1 PLACE	± 0.2	APPR: AIDA	2023/02/16	REVISION	D
0 PLACES	± 0.2	INITIAL REVISION:		SHEET NUMBER	
DRAFT WHERE APPLICABLE MUST REMAIN WITHIN DIMENSIONS		DRWN: TAKAIKE	2017/01/18	2 OF 4	
THIRD ANGLE PROJECTION		APPR: TKANEKO	2017/04/03		
DRAWING		SERIES		MATERIAL NUMBER	
A3-SIZE		505448		CUSTOMER	
				GENERAL	



注記 NOTES

- 6. 梱包数量 : 500個
NUMBER OF CONNECTORS : 500 PIECES/REEL.
- 7. 梱包仕様書 : 5054489200 PS 200
PACKING SPECIFICATION : 5054489200 PS 200
- 8. リードテープ長さ
LEAD TAPE LENGTH



9. トップテープの剥離強度については、IEC60286-3に準拠
TOP TAPE PEEL FORCE IS DEFINED BY IEC60286-3.

TABLE 2

番号 NO.	部品 PART	材質 MATERIAL
⑤	エンボステープ EMBOSSED TAPE	ポリスチレン(PS) POLYSTYRENE(PS)
⑥	トップテープ TOP TAPE	ポリエチレン(PE)、その他 POLYETHYLENE(PE), OTHER
⑦	リール REEL	ポリスチレン(PS) <リサイクル材を含む> POLYSTYRENE(PS) <RECYCLE MATERIAL CONTAINED >

DOCUMENT STATUS	P1	RELEASE DATE	2023/02/16	15:22:26
-----------------	----	--------------	------------	----------

				42
				40
				38
				36
49.4	45.4	20.2	44±0.3	34
				32
				30
				28
				26
				24
37.4	33.4	14.2	32±0.3	22
				20
				18
				16
				14
29.4	25.4	11.5	24 ^{+0.3} _{-0.1}	12
				10
				8
H	G	F	E	極数 CIRCUIT SIZE


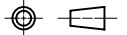
THIS DRAWING CONTAINS INFORMATION THAT IS PROPRIETARY TO MOLEX ELECTRONIC TECHNOLOGIES, LLC AND SHOULD NOT BE USED WITHOUT WRITTEN PERMISSION		CURRENT REV DESC:		molex	
DIMENSION UNITS	SCALE				
mm	NTS			MICRO-LOCK PLUS 1.25 W/B DUAL ROW RIGHT ANGLE SMT PLUG ASSEMBLY TIN-BISMUTH PLATING	
GENERAL TOLERANCES (UNLESS SPECIFIED)				PRODUCT CUSTOMER DRAWING	
ANGULAR TOL	± 3.0 °			DOCUMENT NUMBER	
4 PLACES	± 0.2	EC NO: 736271		5054480000	
3 PLACES	± 0.2	DRWN: SOKUMURA01		DOC TYPE	
2 PLACES	± 0.2	CHK'D: SAKIYAMA		000	
1 PLACE	± 0.2	APPR: AIDA		D	
0 PLACES	± 0.2	INITIAL REVISION:		REVISION	
DRAFT WHERE APPLICABLE MUST REMAIN WITHIN DIMENSIONS		THIRD ANGLE PROJECTION	DRAWING	SERIES	SHEET NUMBER
			A3-SIZE	505448	3 OF 4

△ 2 適合製品及び各種仕様書 APPLICABLE PRODUCTS AND VARIOUS SPECIFICATIONS

梱包仕様書 PACKAGING SPECIFICATION		5054489200 PS 200	
適合嵌合相手 MATE WITH	シリーズ番号 SERIES NUMBER	505432	214527
	リテーナー対応 RETAINER COMPLIANT	NOT COMPLIANT	COMPLIANT (NATURAL, BLACK, RED, BLUE)
適合リテーナーシリーズ番号 APPLICABLE RETAINER SERIES NUMBER		-	214528
製品仕様書 PRODUCT SPECIFICATION		5054320000 PS 002	2145270000-PS PS 000
コネクタ取扱説明書 APPLICATION SPECIFICATION		5054320000-AS PS 000	

△ 5 505448**7* 製品番号一覧 PRODUCT NUMBER LIST

GREEN	BLUE	RED	BLACK	NATURAL (BEIGE)	HOUSING COLOR
5054484276	5054484274	5054484272	5054484271	5054484270	42
5054484076	5054484074	5054484072	5054484071	5054484070	40
5054483876	5054483874	5054483872	5054483871	5054483870	38
5054483676	5054483674	5054483672	5054483671	5054483670	36
5054483476	5054483474	5054483472	5054483471	5054483470	34
5054483276	5054483274	5054483272	5054483271	5054483270	32
5054483076	5054483074	5054483072	5054483071	5054483070	30
5054482876	5054482874	5054482872	5054482871	5054482870	28
5054482676	5054482674	5054482672	5054482671	5054482670	26
5054482476	5054482474	5054482472	5054482471	5054482470	24
5054482276	5054482274	5054482272	5054482271	5054482270	22
5054482076	5054482074	5054482072	5054482071	5054482070	20
5054481876	5054481874	5054481872	5054481871	5054481870	18
5054481676	5054481674	5054481672	5054481671	5054481670	16
5054481476	5054481474	5054481472	5054481471	5054481470	14
5054481276	5054481274	5054481272	5054481271	5054481270	12
5054481076	5054481074	5054481072	5054481071	5054481070	10
5054480876	5054480874	5054480872	5054480871	5054480870	8
発注番号 ORDER NO.					極数 CIRCUIT SIZE
梱包形態 : インボステーブ梱包 PACKAGING STYLE : EMBOSSED TAPE AND REEL					

THIS DRAWING CONTAINS INFORMATION THAT IS PROPRIETARY TO MOLEX ELECTRONIC TECHNOLOGIES, LLC AND SHOULD NOT BE USED WITHOUT WRITTEN PERMISSION									
DIMENSION UNITS		SCALE		CURRENT REV DESC:					
mm		NTS		 MICRO-LOCK PLUS 1.25 W/B DUAL ROW RIGHT ANGLE SMT PLUG ASSEMBLY TIN-BISMUTH PLATING PRODUCT CUSTOMER DRAWING					
GENERAL TOLERANCES (UNLESS SPECIFIED)									
ANGULAR TOL ± 3.0 °				EC NO: 736271					
4 PLACES ± 0.2		DRWN: SOKUMURA01		2023/02/01		DOCUMENT NUMBER			
3 PLACES ± 0.2		CHK'D: SAKIYAMA		2023/02/16		5054480000		DOC TYPE DOC PART REVISION	
2 PLACES ± 0.2		APPR: AIDA		2023/02/16		PSD		000 D	
1 PLACE ± 0.2		INITIAL REVISION:				2017/01/18		SHEET NUMBER	
0 PLACES ± 0.2		DRWN: TAKAIKE		2017/04/03		4 OF 4			
DRAFT WHERE APPLICABLE MUST REMAIN WITHIN DIMENSIONS		THIRD ANGLE PROJECTION		DRAWING		SERIES		MATERIAL NUMBER CUSTOMER	
				A3-SIZE		505448		SEE CHART GENERAL	