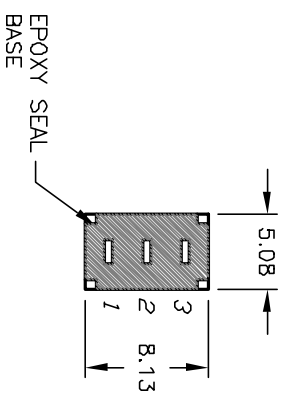
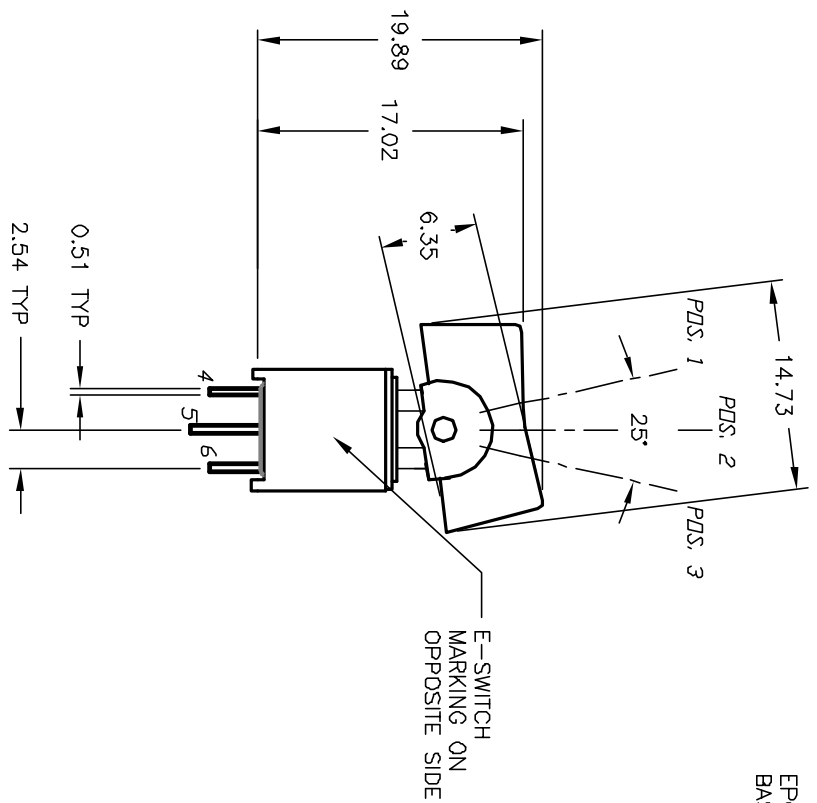
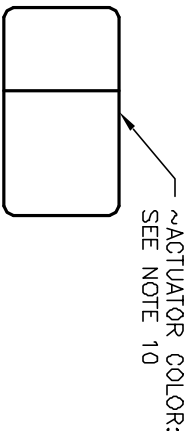


CIRCUIT: SPDT
CONTACT CONFIGURATION

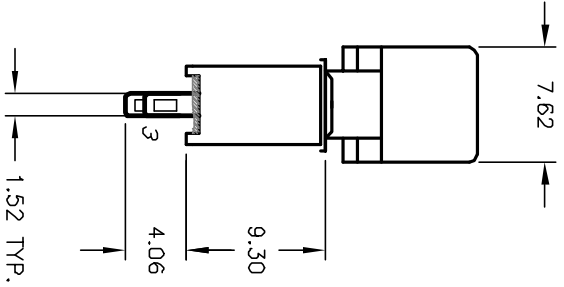
SWITCH FUNCTION		
PDS, 1	PDS, 2	PDS, 3
DN	OFF	DN
2-3	OPEN	2-1

NOTES:

1. ALL DIMENSIONS IN MM
2. GENERAL TOLERANCE: X.X=±0.4
X.XX=±0.25
3. TERM. NDS. FOR REF. ONLY
4. RATING: 3A @120VAC or 28VDC.
1A @250VAC.
5. FIXED TERM/MOVING CONTACT
COPPER ALLOY W/SILVER PLATING
6. ELECTRICAL LIFE: 30,000 MAKE-AND-BREAK
CYCLES AT FULL LOAD.
7. INSULATION RESISTANCE: 1000M OHM TYPICAL
8. DIELECTRIC STRENGTH: 1,000 V RMS @SEA LEVEL
9. OPERATING TEMP.: -30°C to +85°C
10. ACTUATOR: NYLON BLACK (UL94-HB)



BOTTOM VIEW



400A WMSP-3 R1 M1 QE

REV.	ECN NO.	DESCRIPTION	DATE	CHKD
C	12664	REVISED NOTE 4	12/26/02	CB
B	12207	REMOVED P.C.B. LAYOUT	6/5/02	CB
A	12082	RELEASED FOR PRODUCTION	4/22/02	CB

TITLE		SCALE		DATE		DR		DWG		REV	
400A WMSP-3 R1 M1 QE		2:1		4/22/02		CB		T413002		C	

THE INFORMATION CONTAINED IN THIS DOCUMENT IS PROPRIETARY TO E-SWITCH AND IS NOT TO BE COPIED OR TRANSMITTED