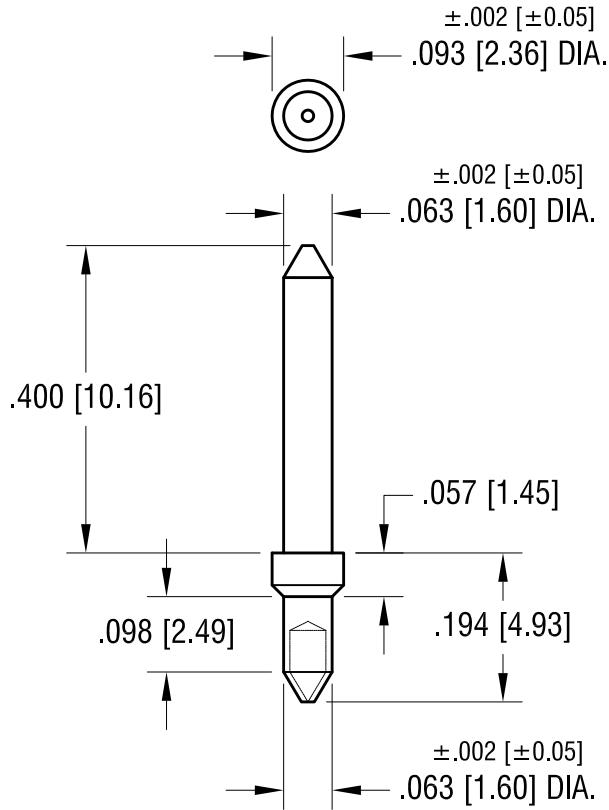


THIS DOCUMENT IS THE PROPERTY OF
KEYSTONE ELECTRONICS CORP. AND
SHALL NOT BE REPRODUCED, DISTRIBUTED
OR USED AS A BASIS FOR MANUFACTURE
WITHOUT PRIOR WRITTEN PERMISSION
FROM KEYSTONE ELECTRONICS CORP.



NOTE:
1. MOUNTING HOLE .067 [1.70] DIA.

| | | | |
|----------------------------------------------------------------|--|--------|----------|
| KEYSTONE ELECTRONICS CORP. | | | |
| www.keyelco.com • NEW HYDE PARK, NY 11040 • Tel (516) 328-7500 | | | |
| PART NAME | | | |
| HOLLOW POINT PIN, SWAGE MOUNT | | | |
| MATERIAL | | | |
| BRASS | | | |
| FINISH | | DRN BY | DATE |
| TIN PLATE | | BOONE | 2.08.08 |
| | | APP'D | SCALE |
| | | LN | 4X |
| TOLERANCES | | INCH | [MM] |
| DECIMAL | | ± .005 | [± 0.13] |
| ANGULAR | | ± 1° | |
| UNLESS OTHERWISE SPECIFIED | | CODE | DWG NO. |
| | | C | 1363-2 |

| | | |
|---------|--------------------------|------|
| 6.28.08 | CHANGE AS PER ECN 08-113 | A |
| DATE | DESCRIPTION | REV. |