

PCB layout

Specifications:
 Current Rating: 1.5A AC/DC
 Voltage Rating: 30V AC/DC
 Contact Resistance: 20m Ohm. Max.
 Insulation Resistance: 1000M Ohm. Min.
 Withstanding Voltage: 750V AC/Minute
 Operating Temperature Range: -40°C ~ +105°C
 Materials:
 Insulator: LCP(UL94V-0)
 Insulator Color: White
 Contact: Brass
 Plating: 30u" Gold Plated on Contact Area,
 Tin Plated on Solder Tails.
 Shell: Brass, Nickel Plated

RoHS Compliant

REV	DATE	FILE	BY

DRAWN:	GENERAL TOLERANCE: .X=±0.20 .XX=±0.15
CHECKED:	UNIT: MM
	SCALE: 1:1
APPROVAL:	SHEET: 1 / 2
	PROJECTION:

CnC Tech Industrial Cable and Connector Technology	
DESCRIPTION: USB A Male SMD Type, 30u"	SIZE A4
PART NO: 1002-016-01101-TR	

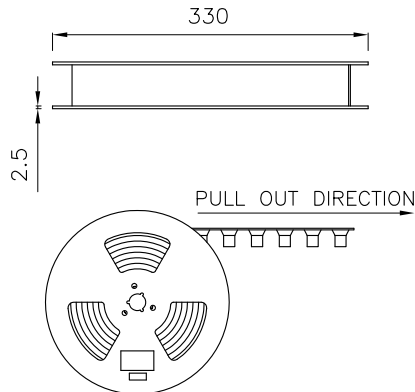
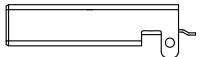
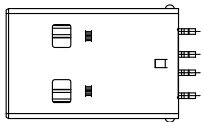
1

2

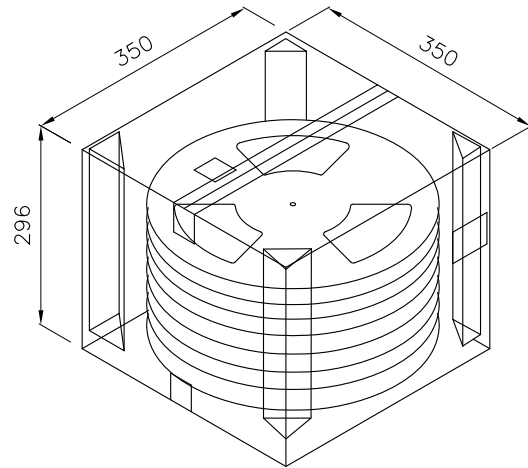
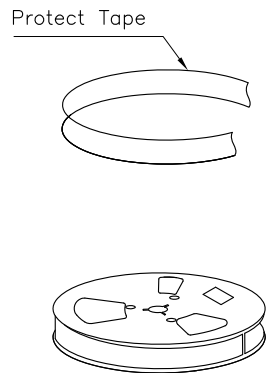
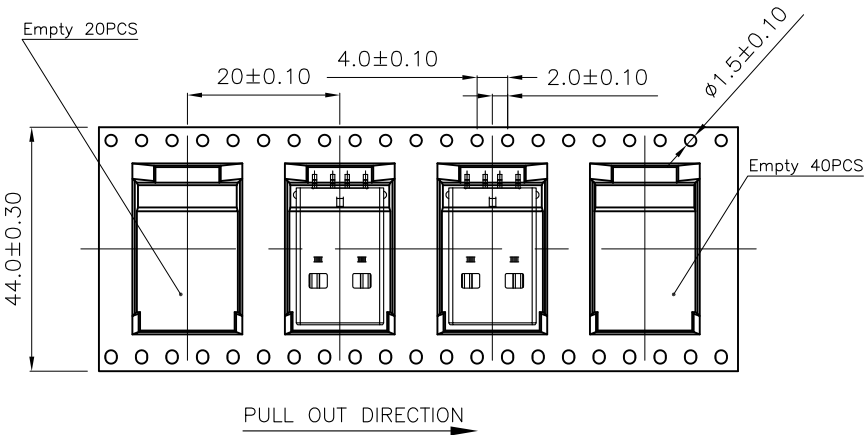
3

4

5



- Note:
- 1.Material : Black Conductive Polystyrene Alloy
100% recyclable.
 - 2.Thickness : 0.35±0.05mm
 - 3.Component load per 13" reel :500 Pcs.
 - 4.Carton Size:350*350*296(mm)



Pin No	W	PCS/R	R/CTN	Q'TY
04	44	500	5	2500

RoHS Compliant

REV	DATE	FILE	BY

DRAWN:	APPROVAL:
CHECKED:	

GENERAL TOLERANCE: .X=±0.20 .XX=±0.15
UNIT: MM
SCALE:1:1
SHEET: 2 / 2
PROJECTION:

<h1 style="color: red; text-align: center;">CnC Tech</h1> <p style="text-align: center;">Industrial Cable and Connector Technology</p>	
PART NO:	1002-016-01101-TR

A

B

C

D