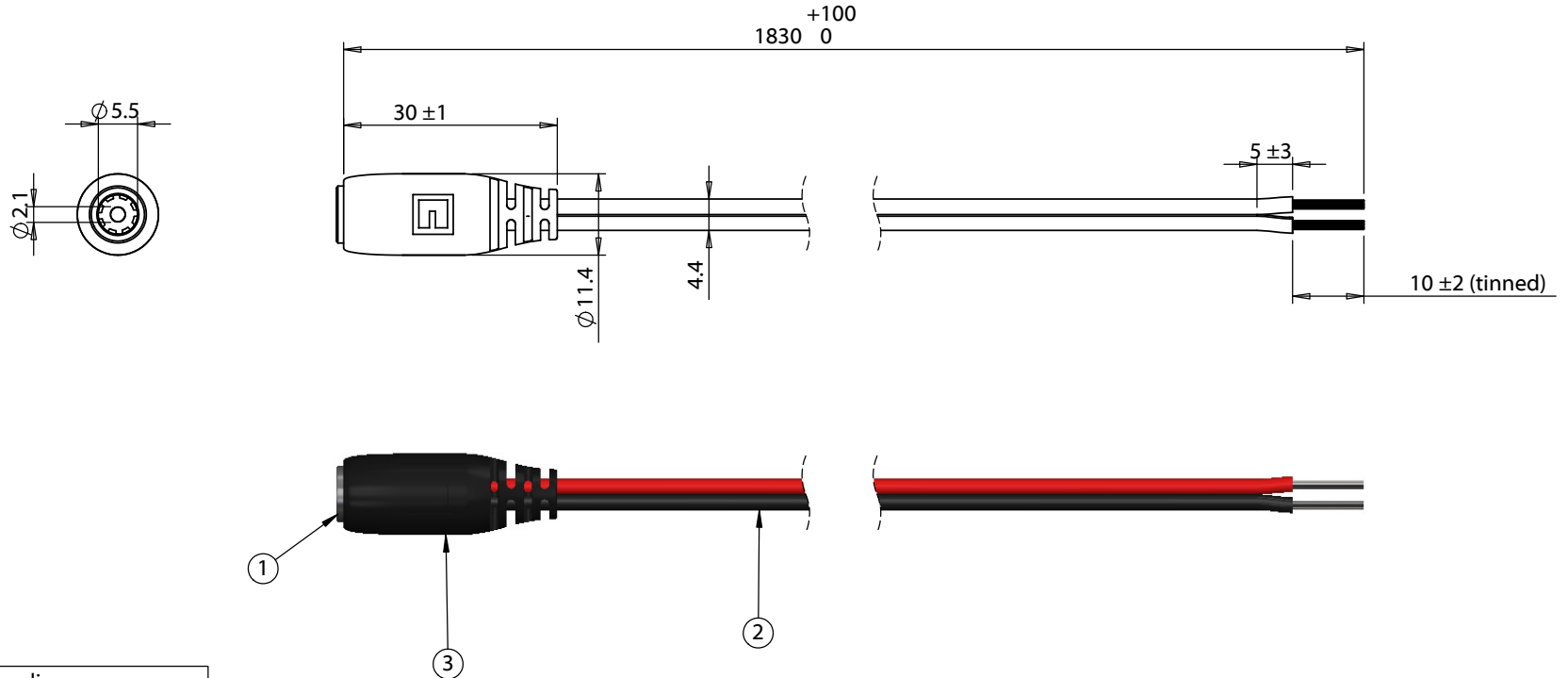


ITEM NO.	PART NUMBER	DESCRIPTION	QTY.	NOTES
1	50-00025	Connector, dc jack, 5.5x2.1xL17.4 mm, molding style	1	
2	30-00415	Wire, 2C TS, 18 AWG, UL2468, 300V, 80°C, 4.4 mm, VW-1, PVC, 87A, red and black	1	
3	24-00004	Overmold, PVC, black	1	



Wiring diagram	
50-00025	Wire color
Center	Red
Sleeve	Black

REVISION	DATE	DESCRIPTION	PREPARED:	NOTES	<h1>TENSILITY</h1> <p>20802 Sockeye Place #130 Bend, OR 97701 USA tel 541.323.3228 fax 541.323.4202 800 877.670.7118 www.tensility.com</p>				
A	7/25/2014	Initial release	AG 2015.04.30 13:14:07 -07'00'	Rated for 7 A, 12 Vdc					
A1	4/30/2015	Updated notes section	VERIFIED: JM 2015.05.01 08:52:06 -07'00'	RoHS compliant					
			DIMENSIONS ARE IN MILLIMETERS	Function test: no open, no reversed polarity, no short circuit, no INT					
			TOLERANCES: X: ± 0.5 mm X.X: ± 0.3 mm X.XX: ± 0.05 mm	Functionally equivalent components may be used	<table border="1"> <tr> <td>SIZE</td> <td>PART NUMBER</td> </tr> <tr> <td>A</td> <td>10-01778</td> </tr> </table>	SIZE	PART NUMBER	A	10-01778
SIZE	PART NUMBER								
A	10-01778								
				DESCRIPTION: Cable, 1830 mm, 5.5x2.1 mm 50-00025 dc jack to 10 mm tinned, 18 AWG, 30-00415 R-B wire	<table border="1"> <tr> <td>SCALE: 1:1</td> <td>WEIGHT:</td> <td>SHEET 1 OF 1</td> </tr> </table>	SCALE: 1:1	WEIGHT:	SHEET 1 OF 1	
SCALE: 1:1	WEIGHT:	SHEET 1 OF 1							