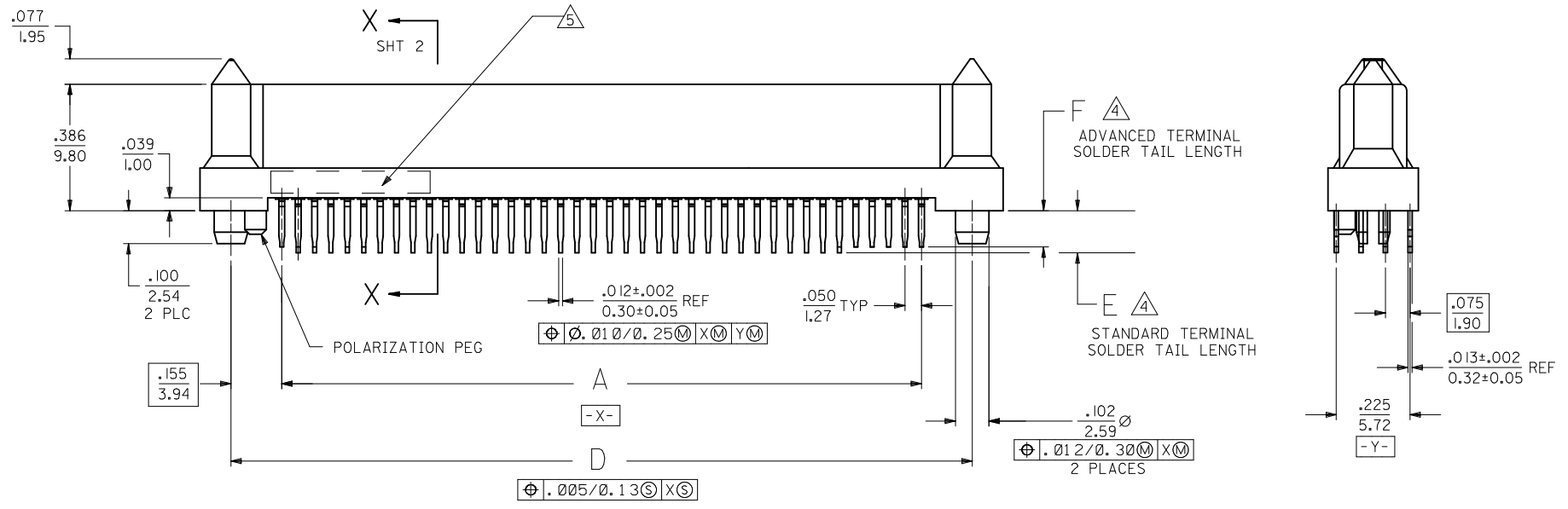
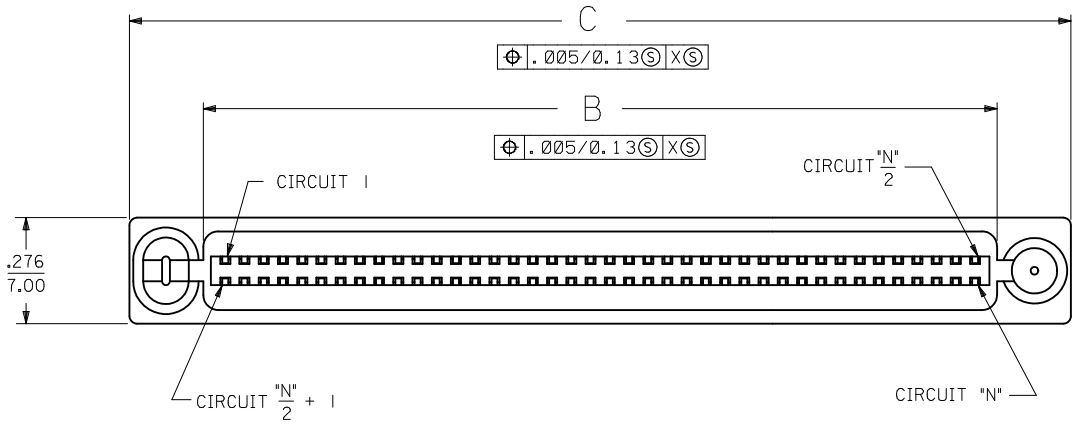


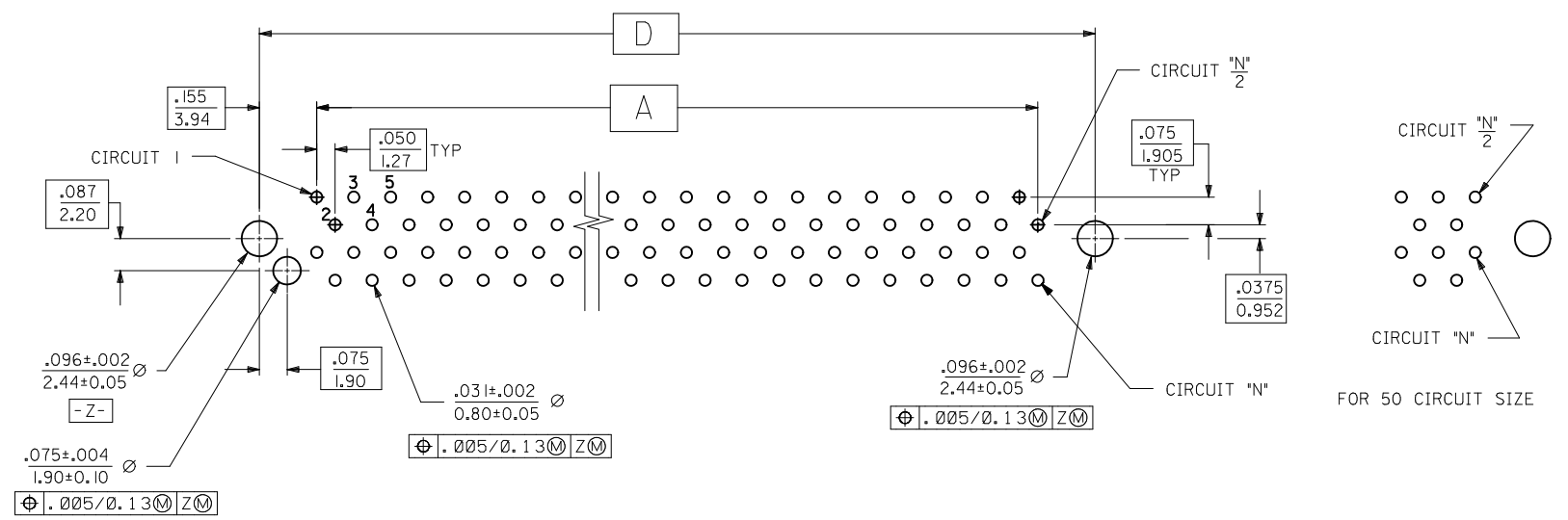
NOTES:

- 1) MATERIALS:
HOUSING- LCP, GLASS FILLED, UL94V-0, BLACK.
TERMINALS- COPPER ALLOY
- 2) FINISHES:
30 MICROINCH (0.72 MICROMETER) MINIMUM GOLD IN THE CONTACT AREA
50 MICROINCH (1.27 MICROMETER) MINIMUM MATTE TIN IN THE TAIL AREA
NICKEL UNDERPLATE OVERALL
- 3 ASSEMBLIES MATE WITH CONNECTORS SHOWN ON MOLEX DRAWING SDA-71661-7***
- 4 SEE TABLE ON SHEET 2 FOR ADVANCED TERMINAL LIST
- 5 FOUR DIGIT DATE CODE (WK YR), EXAMPLE => 26 96
LOCATED IN AREA INDICATED.
- 6 ASSEMBLIES MEET MOLEX PRODUCT SPECIFICATION PS-71660



ADD -7502 ASSY EC NO: UCP2011-2137 DRWN:BBARKER 2011/01/18 CHKD:DMORGAN 2011/01/19 APPR:SMILLER 2011/05/09	QUALITY SYMBOLS ∇=0 ∇=0 ∇=0	GENERAL TOLERANCES (UNLESS SPECIFIED)		DIMENSION STYLE IN/MM		SCALE INCH	DESIGN UNITS INCH		THIRD ANGLE PROJECTION		
		4 PLACES ±--- ±--- 3 PLACES ±--- ±--- 2 PLACES ±--- ±--- 1 PLACE ±--- ±---		DRAWN BY BBARKER		DATE 2011/01/18		TITLE SALES ASSY, EBBI 50D, VERTCL. BLIND MATE RCPT W/ ADVANCE TERMINALS			
		ANGULAR ±1/2°		CHECKED BY SMILLER		DATE 2011/05/09		MOLEX MOLEX INCORPORATED			
		DRAFT WHERE APPLICABLE MUST REMAIN WITHIN DIMENSIONS		MATERIAL NO. SEE TBL SHT 2		DOCUMENT NO. SDA-71660-75**		SHEET NO. 1 OF 2		THIS DRAWING CONTAINS INFORMATION THAT IS PROPRIETARY TO MOLEX INCORPORATED AND SHOULD NOT BE USED WITHOUT WRITTEN PERMISSION	

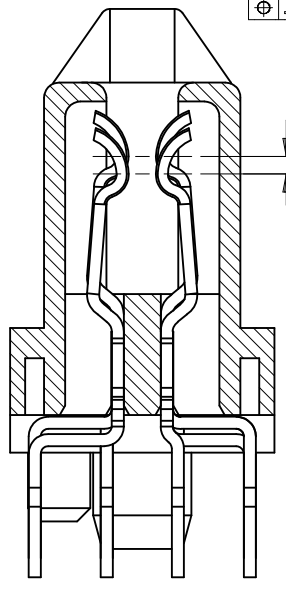
ITEM NUMBER	CIRCUIT SIZE ("N")	A	B	C	D	E ±.010 (±0.25)	F ±.010 (±0.25)	ADVANCED CIRCUITS
71660-7501	68	1.650 (41.91)	1.765 (44.83)	2.149 (54.58)	1.960 (49.78)	.134 (3.40)	.116 (2.95)	5, 6, 39, 64, 66, 68
71660-7504	40	.950 (24.13)	1.065 (27.05)	1.449 (36.80)	1.260 (32.00)	.128 (3.25)	.110 (2.79)	1, 2, 3, 18, 19, 20
71660-7505	50	1.200 (30.48)	1.315 (33.40)	1.699 (43.15)	1.510 (38.35)	.128 (3.25)	.110 (2.79)	1, 2, 3, 23, 24, 25
71660-7508	80	1.950 (49.53)	2.065 (52.45)	2.449 (62.20)	2.260 (57.40)	.128 (3.25)	.110 (2.79)	1, 36-43, 45, 46, 75-80
71660-7502	68	1.650 (41.91)	1.765 (44.83)	2.149 (54.58)	1.960 (49.78)	.134 (3.40)	.116 (2.95)	5, 6, 68



FOR 50 CIRCUIT SIZE

RECOMMENDED PC BOARD LAYOUT
COMPONENT SIDE

FOR 40, 68 AND 80 CIRCUIT SIZES

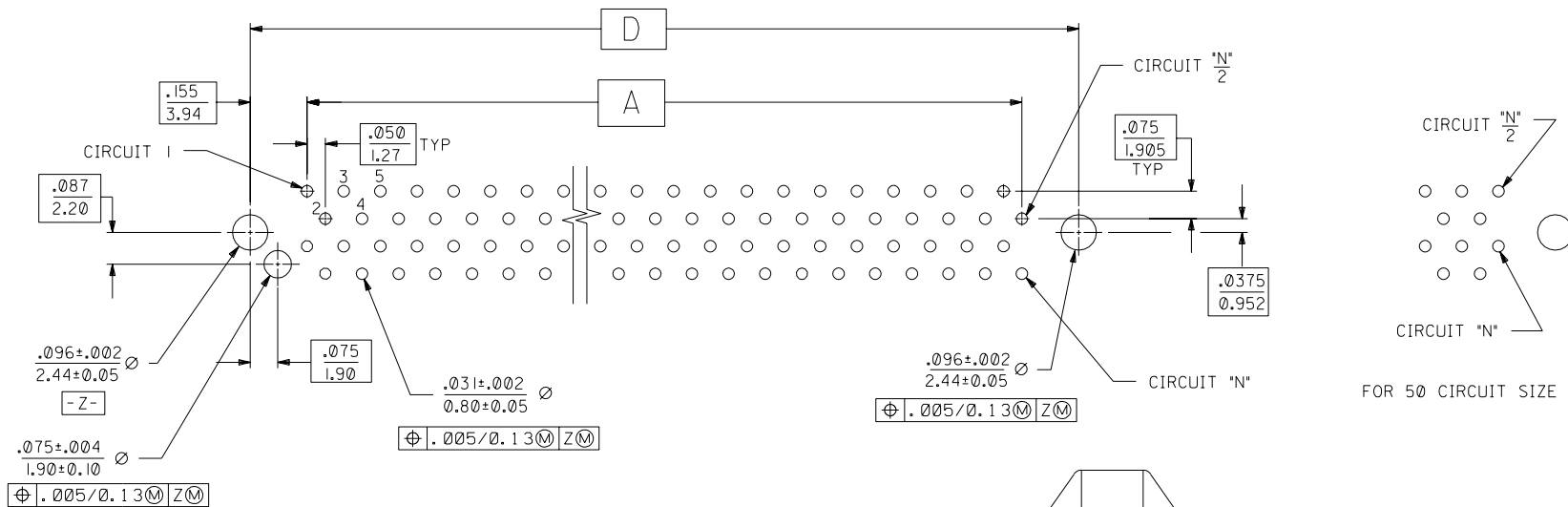


.015 MINIMUM OFFSET BETWEEN
STANDARD AND ADVANCED TERMINALS

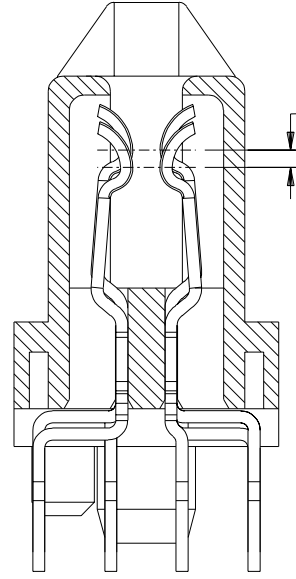
HOUSING WALLS BETWEEN TERMINALS
NOT SHOWN FOR CLARITY

SEE SHEET 1 IEC NO: UCP2011-2137 DRWN:BBARKER 2011/01/18 CHKD:DMORGAN 2011/01/19 APPR:SMILLER 2011/05/09	QUALITY SYMBOLS	GENERAL TOLERANCES (UNLESS SPECIFIED)	DIMENSION STYLE	SCALE	DESIGN UNITS	THIRD ANGLE PROJECTION
	▽=0	mm INCH	IN/MM	1:1	INCH	
	▽=0	4 PLACES ± --- ± ---	DRAWN BY DATE	TITLE		
	▽=0	3 PLACES ± --- ± ---	BBARKER 2011/01/18	SALES ASSY, EBBI 50D, VERTCL, BLIND MATE RCPT W/ ADVANCE TERMINALS		
	2 PLACES ± --- ± ---	CHECKED BY DATE	MOLEX INCORPORATED			
	1 PLACE ± --- ± ---	APPROVED BY DATE	DOCUMENT NO.			
	ANGULAR ±1/2°	SMILLER 2011/05/09	SDA-71660-75**			
	DRAFT WHERE APPLICABLE MUST REMAIN WITHIN DIMENSIONS	MATERIAL NO.	SHEET NO.			
		SEE TABLE	2 OF 2			
		SIZE THIS DRAWING CONTAINS INFORMATION THAT IS PROPRIETARY TO MOLEX INCORPORATED AND SHOULD NOT BE USED WITHOUT WRITTEN PERMISSION				

13	12	11	10	9	8	7	6	71660	4	3	2	1
ITEM NUMBER	CIRCUIT SIZE ("N")	A	B	C	D	E ±.010 (±0.25)	F ±.010 (±0.25)	ADVANCED CIRCUITS				
71660-7501	68	1.650 (41.91)	1.765 (44.83)	2.149 (54.58)	1.960 (49.78)	.134 (3.40)	.116 (2.95)	5, 6, 39, 64, 66, 68				
71660-7504	40	.950 (24.13)	1.065 (27.05)	1.449 (36.80)	1.260 (32.00)	.128 (3.25)	.110 (2.79)	1, 2, 3, 18, 19, 20				
71660-7505	50	1.200 (30.48)	1.315 (33.40)	1.699 (43.15)	1.510 (38.35)	.128 (3.25)	.110 (2.79)	1, 2, 3, 23, 24, 25				
71660-7508	80	1.950 (49.53)	2.065 (52.45)	2.449 (62.20)	2.260 (57.40)	.128 (3.25)	.110 (2.79)	1, 36-43, 45, 46, 75-80				



RECOMMENDED PC BOARD LAYOUT
COMPONENT SIDE
FOR 40, 68 AND 80 CIRCUIT SIZES



SECTION X-X
SCALE - 10:1
HOUSING WALLS BETWEEN TERMINALS
NOT SHOWN FOR CLARITY

.015 MINIMUM OFFSET BETWEEN
STANDARD AND ADVANCED TERMINALS

DIMENSIONS SHOWN (METRIC) INCH		▽ = 0		▼ = 0		REVISE ONLY ON CAD SYSTEM	
UNLESS OTHERWISE SPECIFIED TOLERANCES: ANGULAR ± 1/2°							
3 PLACE	± .010	---	---				
2 PLACE	± ---	± 0.25	---				
1 PLACE	---	± ---	---				
DRAFT WHERE APPLICABLE MUST REMAIN WITHIN DIMENSIONS							
DRWG. BY	RAN	CHK'D. BY	RAN	FILE NAME	57166075	SHEET NO.	2
APP'D. BY	CAB	SCALE	4: 1	DATE	12 / 6 / 94	U.S.A.	
				THIS DRAWING CONTAINS INFORMATION THAT IS PROPRIETARY TO MOLEX INC. AND SHOULD NOT BE USED WITHOUT WRITTEN PERMISSION		DIV. SIZE C C	

I	ADD PART NO'S ECN UDT2002-1289 BBARKER 02/05/10
H	DELETE 50 CKT UDT2001-1091 BSMART 01/04/11
G1	SEE SHEET 1

MFG.	SH.	REV.	LTR.	REVISIONS
------	-----	------	------	-----------

TITLE
SALES ASSY, EBBI 50D,
VERTICAL, BLIND MATE RCPT
W/ ADVANCED TERMINALS

MOLEX INCORPORATED
LITSE, ILL. 60532

PART NO. SDA-71660-75**

71660