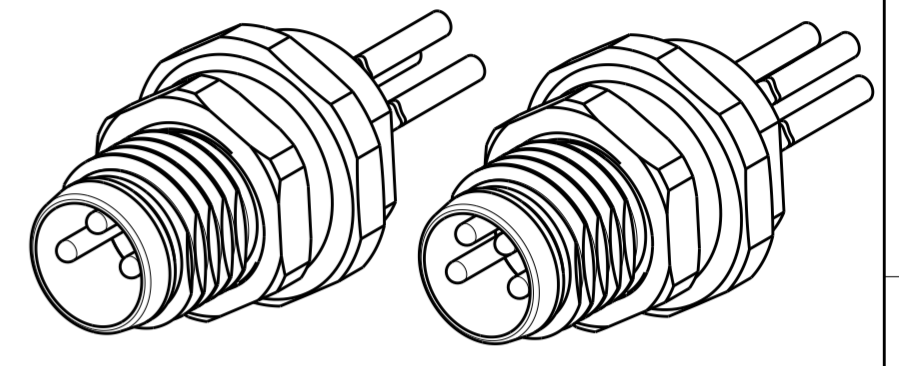
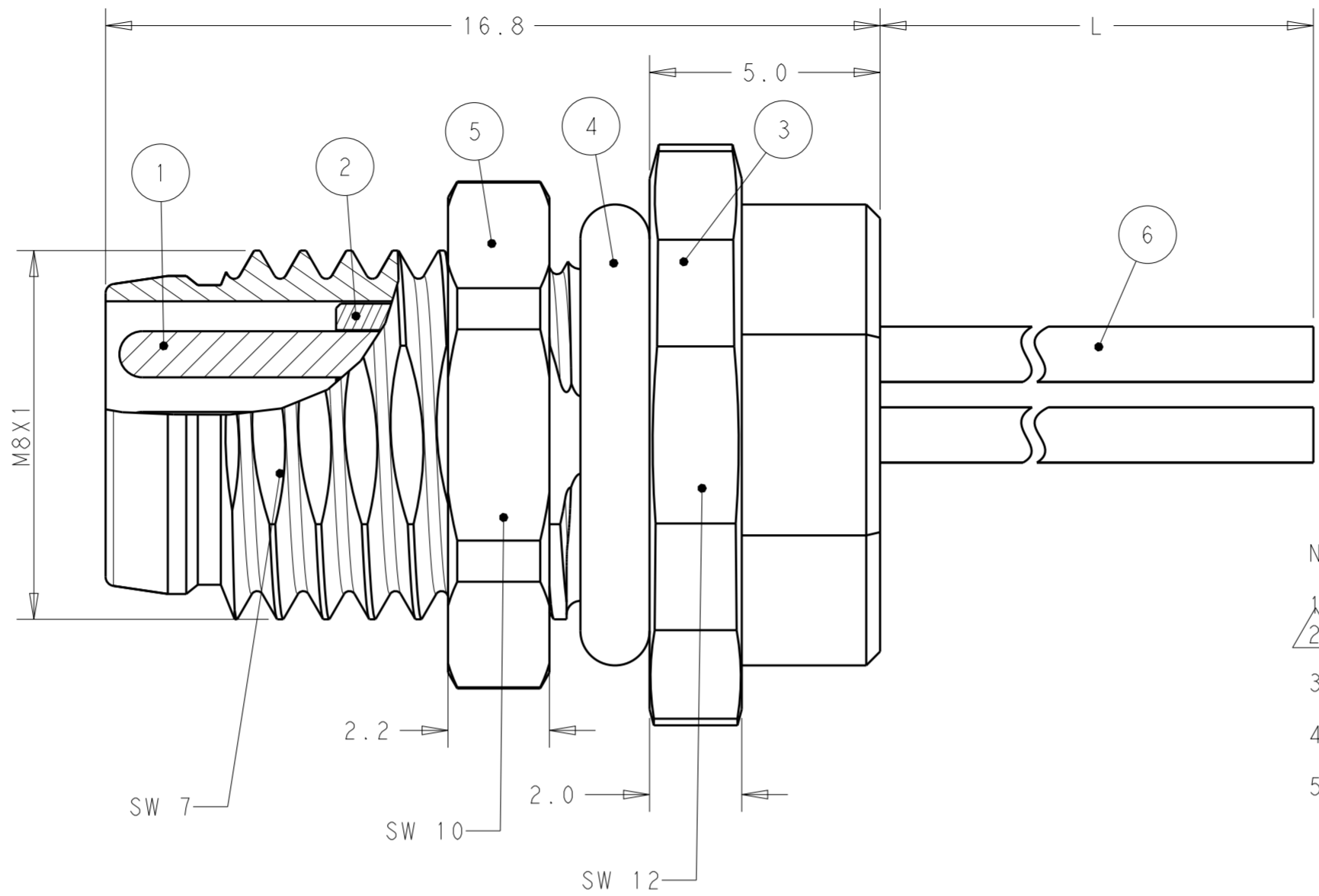
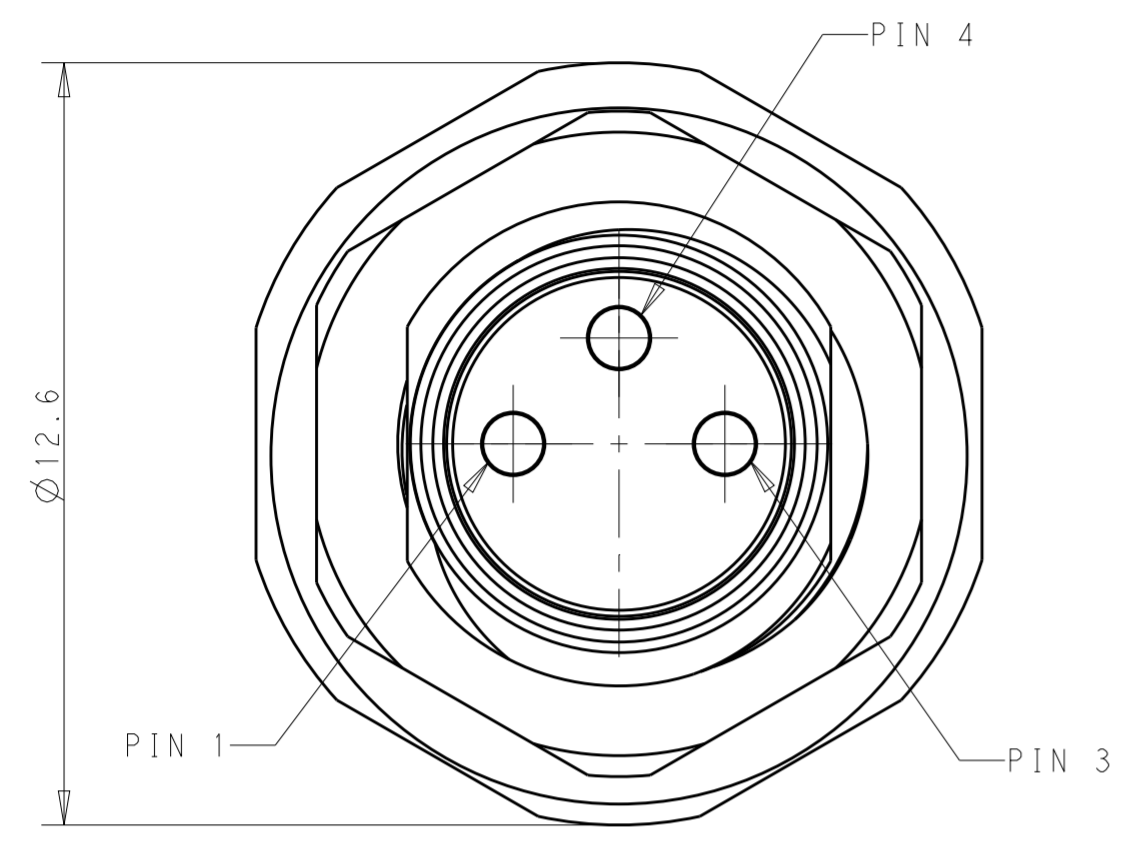


THIS DRAWING IS UNPUBLISHED. RELEASED FOR PUBLICATION 20
 © COPYRIGHT 20 BY - ALL RIGHTS RESERVED.

REVISIONS				
P	LTR	DESCRIPTION	DATE	APVD
A		INITIAL RELEASE	19DEC2016	N.P X.X



NOTES:

1. TECHNICAL DATA: SEE TABLE 1
2. THE RELATION BETWEEN WIRE COLOR AND PIN IS: PIN1 BROWN; PIN2 WHITE; PIN3 BLUE; PIN4 BLACK;
3. CABLE LENGTH: -001:0.2m; -002:0.5m; -003:1.0m; -004:1.5m; -005:3m; -006:5m; FOR SPECIAL LENGTH
4. IF CUSTOMER NEED OTHER CABLE LENGTH, PLEASE CONTACT TE PRODUCT MANAGER OR SALES FOR HELP.
5. ALL PRODUCT MUST COMPLIANCE WITH ROHS AND REACH.

注意事项

1. 技术参数：见表1
2. PIN数与线颜色的关系是：PIN1棕色线，PIN2白色线，PIN3蓝色线，PIN4黑色线；
3. 线长：-00X， -001:0.2m; -002:0.5m; -003:1.0m; -004:1.5m; -005:3m; -006:5m;
4. 如果客户需要定制别的长度，请联系TE销售或者产品经理；
5. 产品必须符合ROHS与REACH.

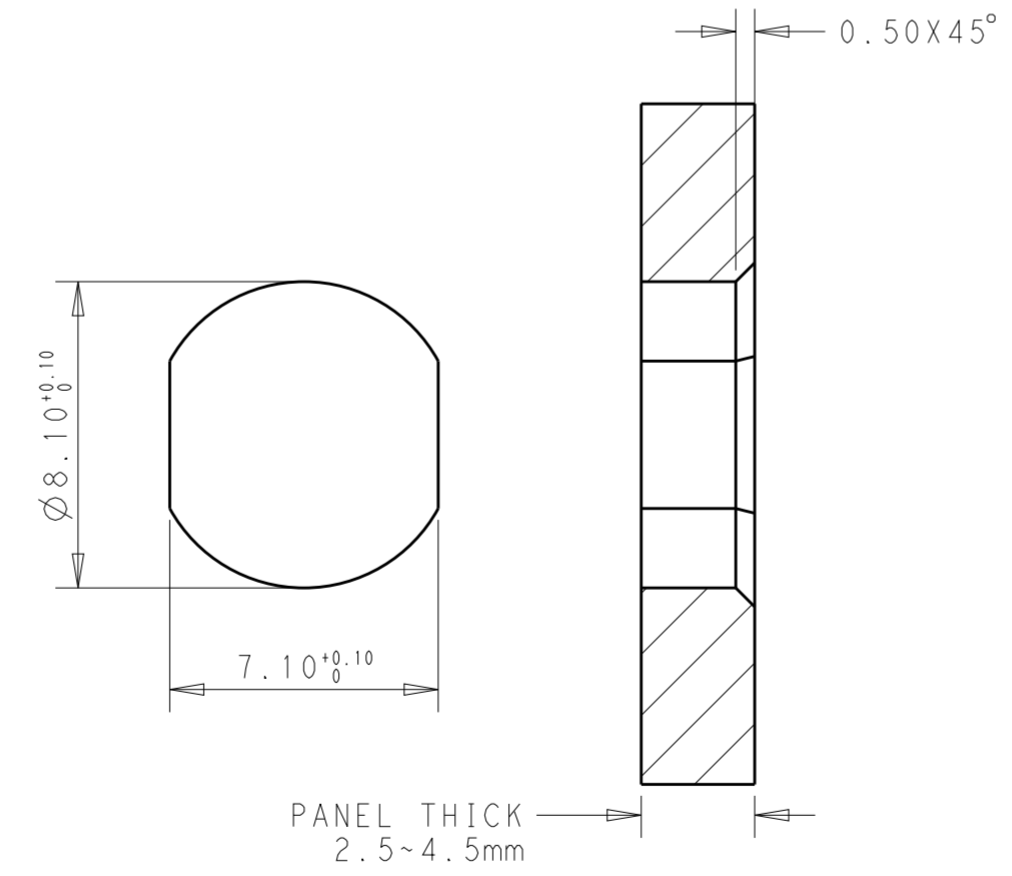
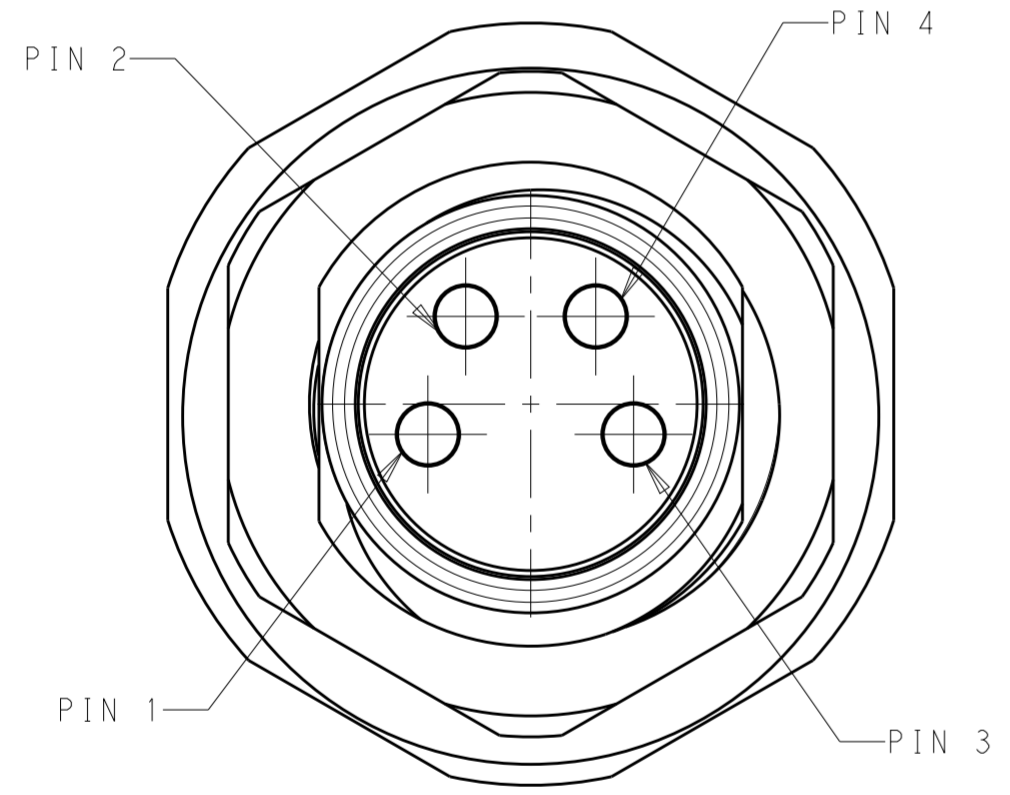


TABLE 1

TECHNICAL DATA	T4070014031-00X	T4070014041-00X
RATED IMPULSE VOLTAGE	1500V	800V
RATED VOLTAGE	60V	30V
RATED CURRENT	3A	
POLLUTION DEGREE	3	
OVERVOLTAGE CATEGORY	II	
MATERIAL GROUP	II	
DEGREE OF PROTECTION	IP67	
TEMPERATURE	-40°C~85°C	

MATERIAL	DESCRIPTION	ITEM
WIRE		6
COPPER ALLOY	NUT	5
RUBBER	O-RING	4
COPPER ALLOY	BODY NUT	3
PA66 UL94 V0	HOUSING	2
COPPER ALLOY	CONTACT	1

TYPE	POS.	PART NUMBER
RPC-M8-MF-4CON-M8-0.2LA	4	T4070014041-001
RPC-M8-MF-3CON-M8-0.2LA	3	T4070014031-001

THIS DRAWING IS A CONTROLLED DOCUMENT.		DWN Nick Pan 08DEC2016
DIMENSIONS: mm		CHK Kobby Zhao 08DEC2016
TOLERANCES UNLESS OTHERWISE SPECIFIED:		APVD Xiang Xu 08DEC2016
0 PLC	±	PRODUCT SPEC
1 PLC	±0.25	108-106140
2 PLC	±0.15	APPLICATION SPEC
3 PLC	±	114-137144-1
4 PLC	±	WEIGHT
ANGLES	±	
FINISH	-	
MATERIAL TBD	finish_spec_2	CUSTOMER DRAWING

TE Connectivity		NAME	
		M8 PANEL CONNECTOR WITH SINGLE WIRE MALE SIDE REAR MOUNTING	
SIZE	CAGE CODE	DRAWING NO	RESTRICTED TO
A2	-	©-T40700140X100X	-
SCALE 6:1		SHEET 1 OF 1	REV A