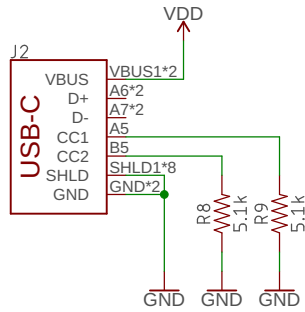
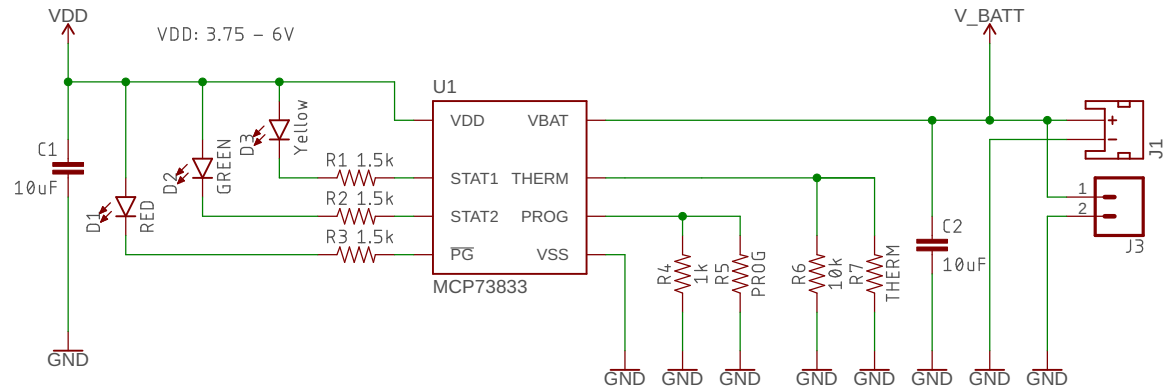


USB Type C



Battery Charger



$$R_PROG \text{ (k}\Omega\text{)} = 1000 / I_REG \text{ (mA)}$$

R_PROG (kΩ)	I_REG (mA)
1.00	1000
1.11	900
1.25	800
1.43	700
1.67	600
2.00	500
2.50	400
3.33	300
5.00	200
10.0	100

