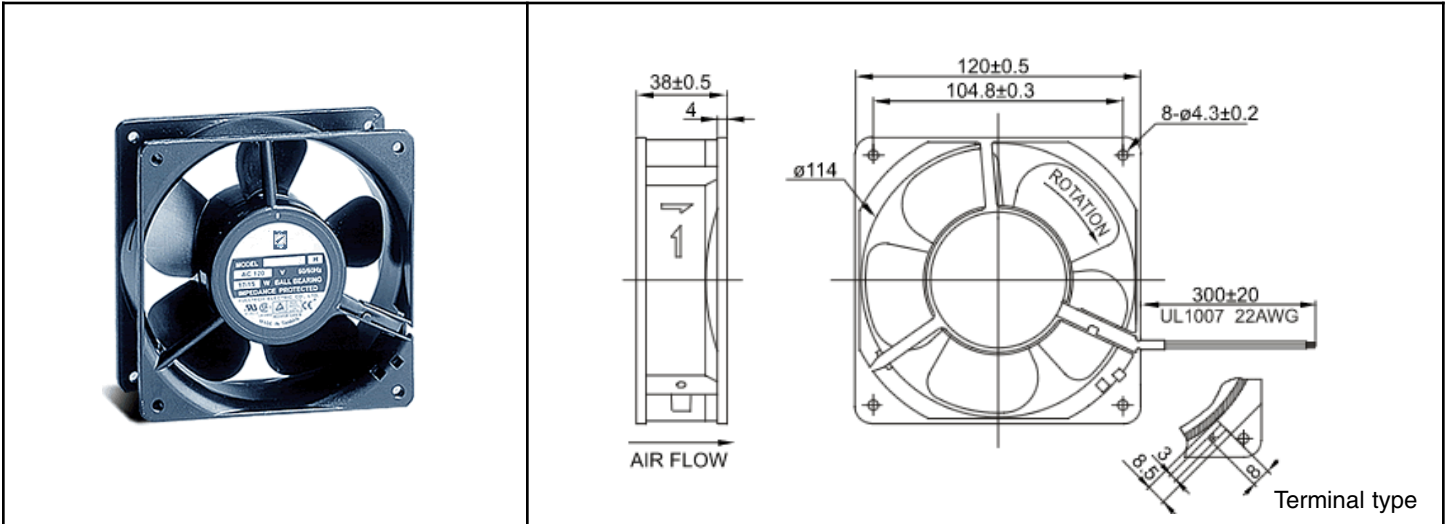


OA109AP-22-1TBIP55



AC Fan - 230V
120x38mm (4.7"x 1.5")



Frame	Diecast Aluminum	<p><u>Operating Temperature</u> -20C ~ +70C</p> <p><u>Life Expectancy</u> >40,000 hours (L10, 40C)</p> <p>Rated IP55</p> <p>Class B Insulation</p>	
Impeller	PBT, UL94V-O plastic		
Connection	Terminals		
Motor	AC shaded pole, impedance and thermally protected		
Bearing System	Dual Ball		
Insulation Resistance	>100M ohm between leadwire and frame (500VDC)		
Dielectric Strength	1 min at 1500 VAC, 50/60Hz		

Model Number	OA109AP-22-1TBIP55
Part Number	210615302
Nominal Voltage	230 VAC
Nominal Current	0.08 A (locked 0.12 A)
Rated Power	15 W (60Hz)
Rated Speed (RPM)	3100
Airflow (CFM)	106
Noise Level (dB)	46
Max. Static Pressure	0.32" H ₂ O