

1 Products affected

Product hierarchy no. *				Part no.	SBU	Type / Description	Customer part no.
SBU	PG	PGU	Type				
02	007	022	0000002054	Part list see table below	Connectors	GSP1	

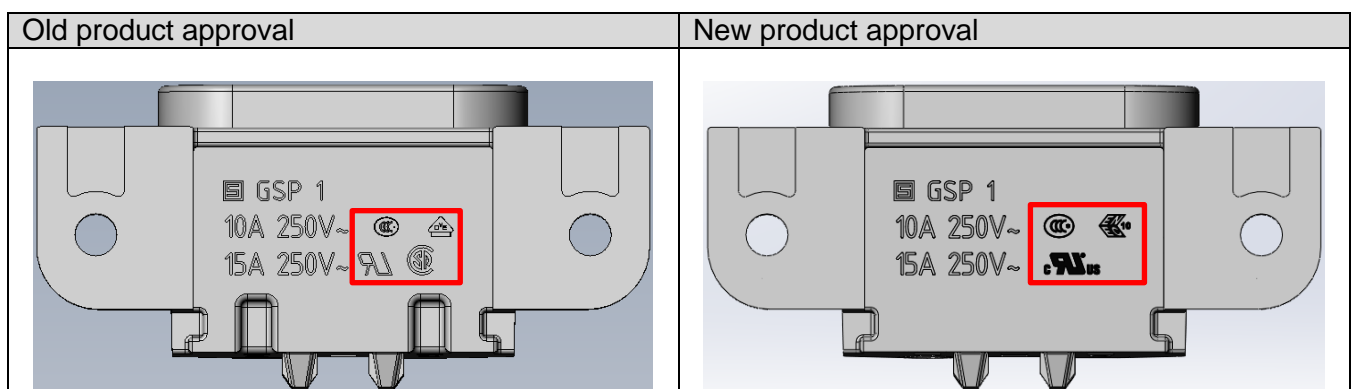
*SBU (2-digit) / PG (3-digit) / PGU (3-digit) / Type (10-digit)

2 Type of change

Modification of approval marks.

3 Detailed description of change

CSA, UR and VDE symbols removed. ENEC10 and cURus approval mark adapted.



4 Reason of change

Consolidation of North American approval marks with the combined cURus mark.
VDE mark replaced by ENEC10 mark.

5 Release date

The change will be rolled-out starting ww 02 / 2016 (Date code 1602 or higher on label) and lasts approx. 9 months depending on the variant.

6 Impact of change and recommended action

Form	No	No change in the form
Fit	No	There are no dimensional changes
Function	No	No change in the specification
Production Site	No	There is no change of the production site
Product Label	Yes	CSA and UR marks replaced by cURus mark. VDE mark replaced by ENEC10 mark.
Customer Action	No	No customer action required

7 Reference Documents / Attachments

Kind of document	Remarks
GSP1 Data Sheet	

Product Change Notification					PCN GSP1 Appliance Inlet		
owner	creation date	release date	released by	change order no	rev	page	0118.2319
import	2015-12-05	2016-01-27	hotzar	2009011	A	1 of 2	

List of part numbers affected					
GSP1.010A.1	GSP1.1103.1	GSP1.1201.1	GSP1.1413.1	GSP1.1501.1	GSP1.2101.1
GSP1.2501.1	GSP1.3100.1	GSP1.3101.2	GSP1.3103.1	GSP1.3105.1	GSP1.3107.1
GSP1.310F.1	GSP1.3110.1	GSP1.3113.1	GSP1.3200.1	GSP1.3203.1	GSP1.3211.1
GSP1.3215.1	GSP1.3401.1	GSP1.3403.1	GSP1.3405.1	GSP1.3413.1	GSP1.3500.1
GSP1.3501.1	GSP1.3503.1	GSP1.3511.1	GSP1.3601.1	GSP1.3701.1	GSP1.3705.1
GSP1.3707.1	GSP1.4100.1	GSP1.4101.1	GSP1.4103.1	GSP1.4107.1	GSP1.4110.1
GSP1.4113.1	GSP1.4115.1	GSP1.4200.1	GSP1.4203.1	GSP1.4213.1	GSP1.4315.1
GSP1.4401.1	GSP1.4403.1	GSP1.4413.1	GSP1.4500.1	GSP1.4507.1	GSP1.5113.1
GSP1.6101.1	GSP1.6201.1	GSP1.6711.1	GSP1.7101.1	GSP1.7101.2	GSP1.7201.1
GSP1.7401.1	GSP1.7500.1	GSP1.7501.1	GSP1.8100.1	GSP1.8101.1	GSP1.8101.2
GSP1.8103.1	GSP1.8105.1	GSP1.810C.1	GSP1.810E.1	GSP1.8110.1	GSP1.8111.1
GSP1.8113.1	GSP1.811E.1	GSP1.8200.1	GSP1.8201.1	GSP1.8203.1	GSP1.8207.1
GSP1.820C.1	GSP1.8211.1	GSP1.8401.1	GSP1.8405.1	GSP1.8411.1	GSP1.8413.1
GSP1.8500.1	GSP1.8501.1	GSP1.850E.1	GSP1.8601.1	GSP1.8613.1	GSP1.8701.1
GSP1.8703.1	GSP1.8705.1	GSP1.870C.1	GSP1.870E.1	GSP1.9100.1	GSP1.9101.1
GSP1.9103.1	GSP1.910C.1	GSP1.910E.1	GSP1.9110.1	GSP1.9111.1	GSP1.9113.1
GSP1.911E.1	GSP1.9200.1	GSP1.9201.1	GSP1.9203.1	GSP1.9210.1	GSP1.9213.1
GSP1.9401.1	GSP1.9403.1	GSP1.9413.1	GSP1.941E.1	GSP1.9500.1	GSP1.9503.1
GSP1.3111.1	GSP1.3101.1	GSP1.3201.1	GSP1.4503.1	GSP1.650E.1	GSP1.8101.115
GSP1.8101.121	GSP1.8103.121	GSP1.8201.121	GSP1.870E.101	GSP1.9103.121	GSP1.9203.121
GSP1.920E.1					

Product Change Notification					PCN GSP1 Appliance Inlet		
owner	creation date	release date	released by	change order no	rev	page	0118.2319
import	2015-12-05	2016-01-27	hotzar	2009011	A	2 of 2	