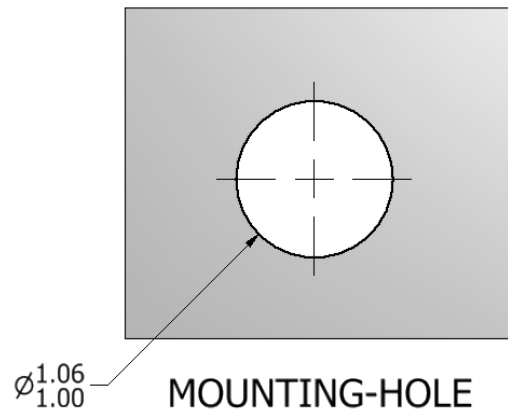


Figure 1



471 Brighton Drive  
Bloomington, IL 60108 USA  
Phone: +1.630.372.6800  
<http://www.antenna.com>

Copyright 2017

MIS-TROOPER

### STUD MOUNT (TYPICAL INSTALLATION)

1. Select mounting position. When choosing a mounting location attempt to center the antenna on a ground plane, attempt to position the antenna so that it has 8-inches of ground plane in any given direction, attempt to space at least 16-inches from adjacent antenna or metallic structure, and choose a location with gentle surface curves to ensure proper sealing. Ensure there is 2-inches of clearance below mounting surface for mounting stud and cable routing. Ensure that there is 2-inches diameter around mounting hole for mounting nut and torquing procedure.
2. Cut or drill a 1-inch hole through mounting surface (Fig 1).
3. Ensure hole has been de-burred of sharp edges to prevent cable damage during installation.
4. Clean mounting surface around hole. The surface must be free of any debris that would otherwise prevent the inner VHB foam gasket from adhering or the outer rubber gasket from forming a seal.
5. Feed cables through hole with care not to damage jacket and route them to desired location.
6. Remove the liner from the inner VHB foam gasket, insert the mounting stud through the hole and position the antenna onto the mounting surface.
7. Beneath the mounting surface, install the slotted lock nut onto the mounting stud and hand tighten. Then wrench tighten until antenna is fully seated, or with a torque wrench, tighten the nut to 8Nm (6 lbf\*ft) minimum.
8. Visually inspect the outer rubber antenna gasket to ensure it has been compressed to make a seal against the mounting surface and radome. If the locking nut includes a set screw locking feature, torque down the locking nut as above and then torque the set screw to 3.5Nm (2.2 ft-lbs).