

**SEE PAGE 2 FOR DETAILS

WIRING SCHEMATIC

| 1 | 2 |
|-----------|-----------|
| PIN | PIN |
| 1 = BROWN | 1 = RED |
| 2 = WHITE | 2 = GREEN |
| 3 = BLUE | 3 = BLACK |
| 4 = BLACK | 4 = WHITE |

FPM12A04IYYBR0Y
 INCHES ————
 01 = WIRING SCHEMATIC 1
 02 = WIRING SCHEMATIC 2
 LENGTH
 EX: 06 = 6 INCHES
 12 = 12 INCHES

NOTE: PACKAGED 10 PER BAG

RoHS COMPLIANT

UNITS IN INCHES [MM] DO NOT SCALE FROM DRAWING



THESE DRAWINGS AND SPECIFICATIONS ARE THE PROPERTY OF NorComp AND SHALL NOT BE REPRODUCED, COPIED OR USED AS THE BASIS FOR THE MANUFACTURE OR SALE OF APPARATUS WITHOUT WRITTEN PERMISSION.

DRAWN:

G. BROWN

DATE:

01/23/2019

NorComp

SCALE:
NTS

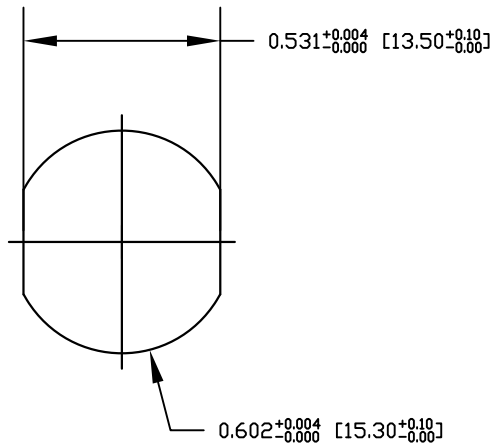
SHEET OF
1 2

REV
1

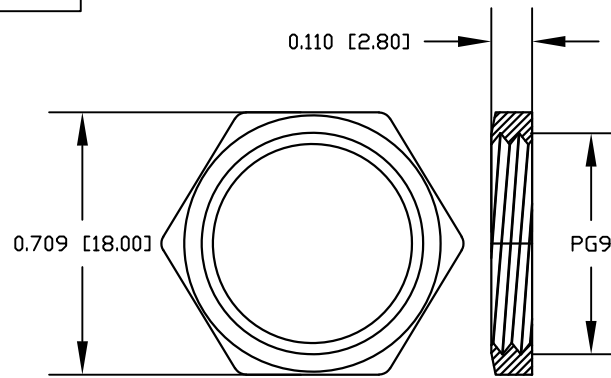
DWG NO.

FPM12A04IYYBR0Y

DESCRIPTION: M12 4 POSITION STAINLESS STEEL FEMALE PIGTAIL



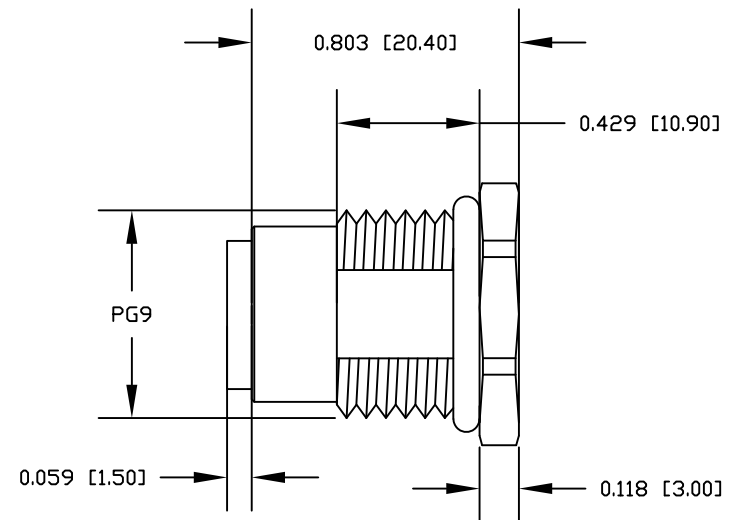
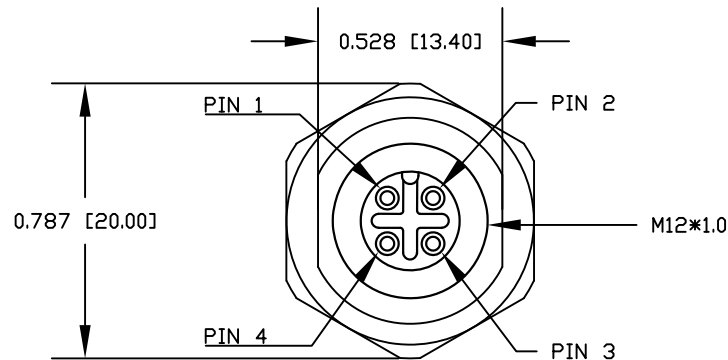
RECOMMENDED PANEL CUT-OUT



NUT

NOTE:

| | |
|------------------------|-----------------------------|
| MATERIAL | PBT UL94V-0, BLACK |
| HOUSING: | BRASS |
| CONTACT: | STAINLESS STEEL 316 |
| NUT: | STAINLESS STEEL 316 |
| SHELL: | EPDM, BLACK |
| O-RING: | |
| FINISH | |
| CONTACT: | GOLD PLATED 10 μ " Min. |
| UNDER PLATE: | NICKEL |
| ELECTRICAL | |
| RATED CURRENT: | 4A |
| RATED VOLTAGE: | 250V |
| INSULATION RESISTANCE: | 100M Ω MIN |
| CONTACT RESISTANCE: | 10m Ω MAX |
| WATER PROOF: | IP67/68 |
| ENVIRONMENT | |
| OPERATION TEMPERATURE: | -40°C ~ +85°C |



RoHS COMPLIANT

UNITS IN INCHES [MM] DO NOT SCALE FROM DRAWING



THESE DRAWINGS AND SPECIFICATIONS ARE THE PROPERTY OF NorComp AND SHALL NOT BE REPRODUCED, COPIED OR USED AS THE BASIS FOR THE MANUFACTURE OR SALE OF APPARATUS WITHOUT WRITTEN PERMISSION.

DRAWN:

G. BROWN

DATE:

01/23/2019

NorComp

SCALE:
NTS

SHEET OF
2 2

REV
1

DWG NO.

FPM12A04IYYBR0Y