

6

5

4

3

2

1

D

D

C

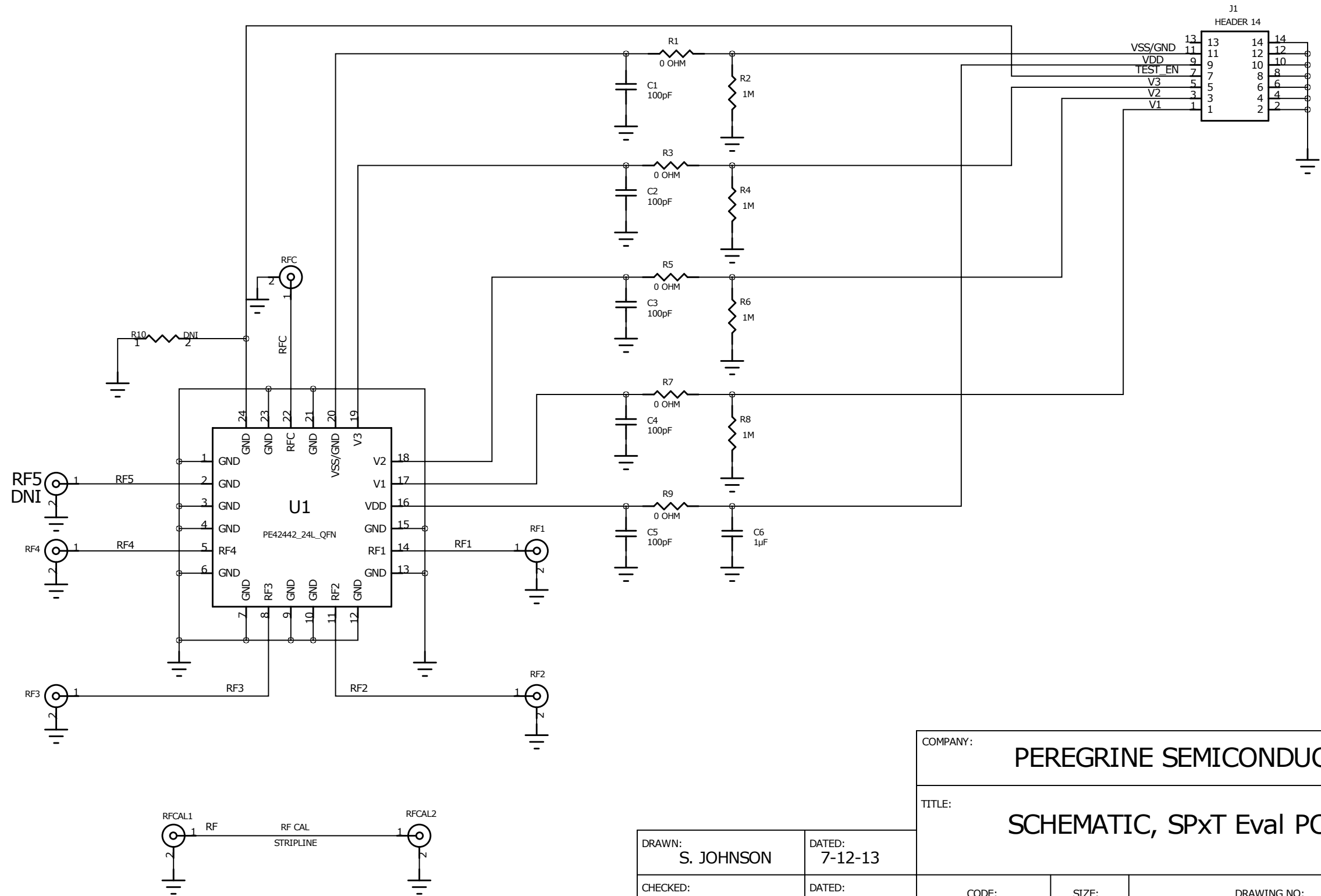
C

B

B

A

A



USE PCB PRT-29105-01

COMPANY: PEREGRINE SEMICONDUCTOR

TITLE: SCHEMATIC, SPxT Eval PCB

DRAWN: S. JOHNSON	DATED: 7-12-13
CHECKED: EREC SHAPIRO	DATED: 7-12-13
QUALITY CONTROL:	DATED:
RELEASED:	DATED:

CODE:	SIZE: B	DRAWING NO: DOC-33427	REV: 01
SCALE:			SHEET: 1 of 1

Item	Qty	Reference	Value	Part Name	Part Description	Manufacturer	Manufacturer Part Number	Distributor	Distributor Part Number	Notes
1	5	C1-5	100pF	CAP_0603_100PF,100pF,±5%	SMD CAP 0603	Panasonic - ECG	ECJ-1VC1H101J	Digi-Key	PCC101ACVTR-ND	
2	1	C6	1µF	CAP_0603_1UF,1µF		Murata	GRM188R71E105KA12D	Digi-Key	490-5307-2-ND	
3	1	J1	HEADER 14	HEADER_7X2_2,HEADER 14		Sullins Electronics Corp.	PZC36DABN	Digi-Key	S2021-36-ND	
4	1	U1	PE42442_24L_QFN	PE42442_24L_QFN_MICROTEST_SOCKET,PE42442_24L_QFN		PEREGRINE SEMICONDUCTOR	PE42442_24L_QFN			
5	1	R10	DNI	RES_0402_DNI,DNI		DNI	DNI	DNI	DNI	
6	5	R1 R3 R5 R7 R9	0 OHM	RES_0603_0_OHM,0 OHM		Panasonic - ECG	0 OHM	Digi-Key	0 OHM	
7	4	R2 R4 R6 R8	1M	RES_0603_1M,1M		Stackpole Electronics, Inc.	RGC 1/16 T2 1M 0.5% R	Digikey	RGC1/16T21MDR-ND	
8	1	RF5	DNI	SMA CONNECTOR (SIDE MOUNT),DNI	SMA Connector (Right Angle)	Johnson Components Inc.	142-0701-801	Digi-Key	J502-ND	
9	7	RF1-4 RFC RFCAL1-2	SMASM	SMA CONNECTOR (SIDE MOUNT),SMASM	SMA Connector (Right Angle)	Johnson Components Inc.	142-0701-801	Digi-Key	J502-ND	
10	1	PCB		PCB, PE42442 EVK SP4T 4mm x 4mm 24L QFN			PRT-29105-01			