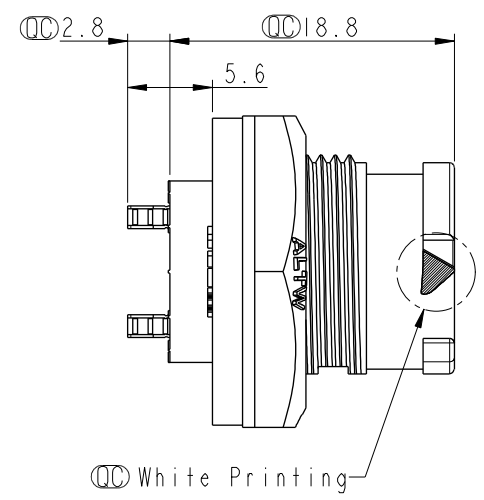
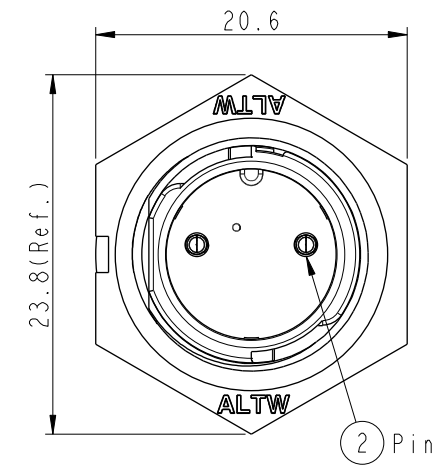
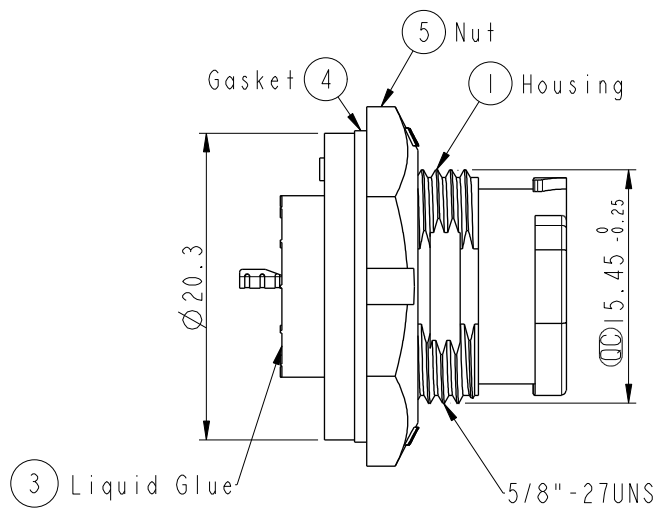
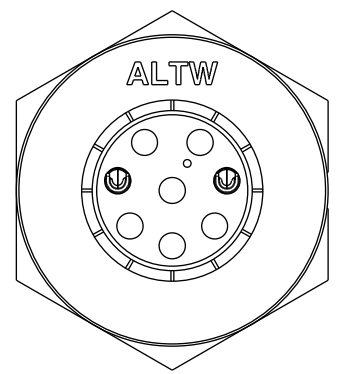


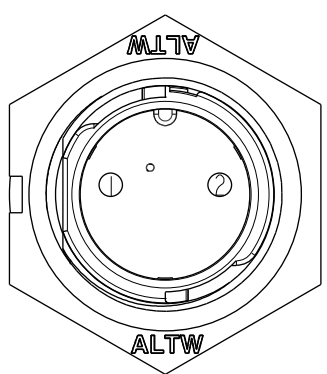
THIS DOCUMENT IS SUBJECT TO CHANGE WITHOUT NOTICE. IT IS CONFIDENTIAL AND A PROPERTY OF Amphenol LTW. DISCLOSURE TO THIRD PARTY HAS TO BE AUTHORIZED BY Amphenol LTW.

REV.	ECN NO.	DATE	SIGN	DESCRIPTION
B	CI90411	2019/03/15	Vicky	Change Note

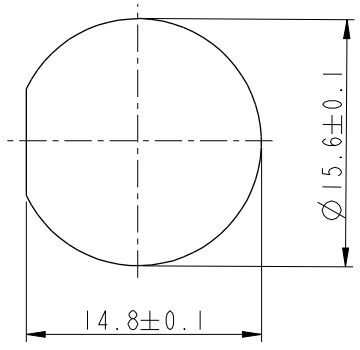
ALTW
 CONFIDENTIAL
 2019-03-15
 R&D DEPT.



- Note:**
- * \varnothing Important Dimension To Check.
 - * Waterproof Rate: IP68, Unmated.
In 1 meter water within 24 hours
 - * Housing: Thermoplastic, Black.
 - * Pin: Copper Alloy, Gold Plated.
 - * Nut: Thermoplastic, Black.
 - * Gasket: Rubber, Gary.
 - * Use Without Waterproof Cap
Panel Thickness Max: 4.0mm
 - * Use With Waterproof Cap
Panel Thickness Max: 3.0mm
 - * Gasket and Nut are packed separately in PE bags.



Pin Assignments
Front View



Recommended Panel Cut-out

UNIT:mm TOLERANCE .X ±0.25	TITLE X Lok B-Size Receptacle Front Fastened M Conn M 2 Pin			Amphenol LTW 安費諾亮泰企業股份有限公司		ITEM NO BD-02PMMS-OC8001	DRAWN BY Vicky	DATE 2019-03-15
	SCALE 2:1	SIZE A4	SHEET 1 OF 1			DWG NO BD-02PMMS-OC8001	CHECKED BY Rita	DATE 2019-03-15
	REV. B	WC-REV. A.4	\varnothing : Inspection item	CUSTOMER ALTW	APPROVED BY Max	DATE 2019-03-15		
								8 W10814-03-#M01A2