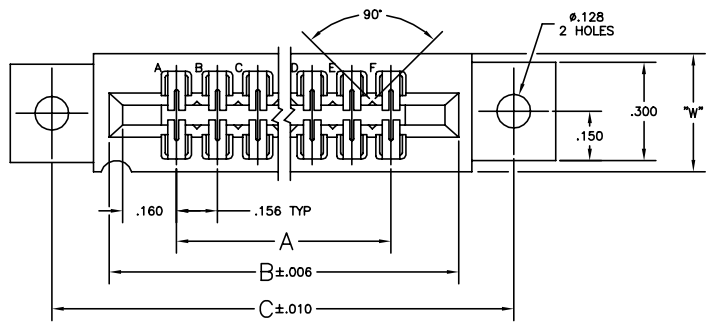
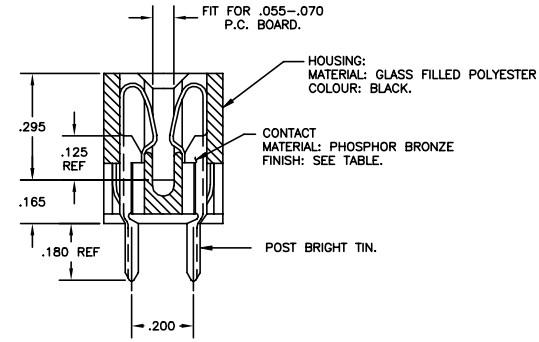
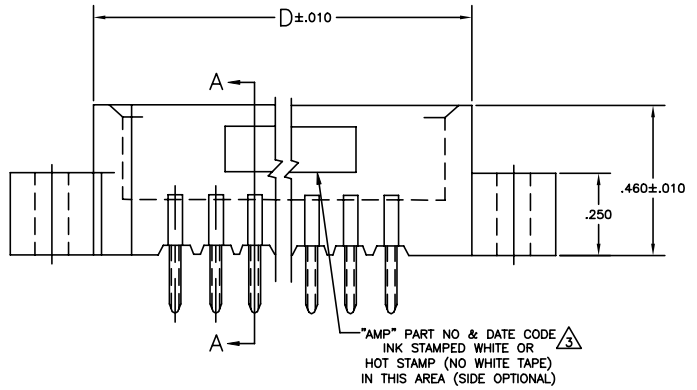


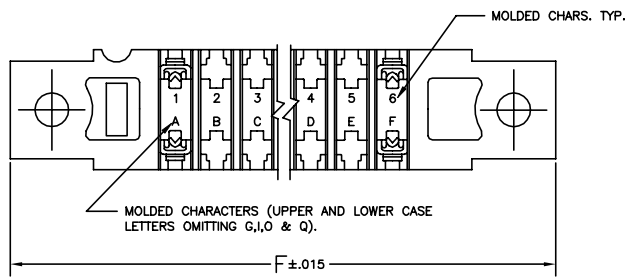
| REVISIONS |     |                           |           |    |       |
|-----------|-----|---------------------------|-----------|----|-------|
| #         | LNK | DESCRIPTION               | DATE      | BY | APP'D |
| L2        |     | REVISED PER ECO-20-000170 | 21MAY2020 | KR | JO    |



- 1 .000015 MIN GOLD OVER .000050 MIN. NICKEL IN CONTACT AREA.
- 2 .000030 MIN GOLD OVER .000050 MIN. NICKEL IN CONTACT AREA.
- 3 ALL PARTS ASSEMBLED IN MEXICO MUST BE STAMPED "ASSY IN MEXICO" THE WORD "MEXICO" CAN BE SUBSTITUTED ONLY WHERE PART SIZE PROHIBITS STAMPING "ASSY IN MEXICO", INK STAMP COLOR WHITE OR HOT STAMP (NO WHITE TAPE) PER 115-9009, APPROX WHERE SHOWN, SIDE OPTIONAL.
- 4 MATTE TIN PLATED CONTACT TAILS.
- 5 OBSOLETE PARTS: OBSOLETE CIS STREAMLINING PER D.RENAUD/D.SINISI



SECTION A-A



| OBsolete | Part No  | No. of Position | A     | B     | C     | D     | W    | F     | Part No    |
|----------|----------|-----------------|-------|-------|-------|-------|------|-------|------------|
|          | -        | 43              | 6.552 | 6.872 | 7.307 | 7.012 | .437 | 7.557 | 8-530656-3 |
| 1        | OBsolete | 28              | 4.212 | 4.532 | 4.967 | 4.672 | .370 | 5.217 | 8-530656-2 |
| 1        | OBsolete | 25              | 3.744 | 4.064 | 4.499 | 4.204 | .370 | 4.749 | 7-530656-8 |
|          | -        | 22              | 3.276 | 3.596 | 4.031 | 3.736 | .370 | 4.281 | 7-530656-6 |
| 1        | OBsolete | 10              | 1.404 | 1.724 | 2.159 | 1.864 | .370 | 2.409 | 7-530656-2 |
| 1        | 530656-3 | 43              | 6.552 | 6.872 | 7.307 | 7.012 | .437 | 7.557 | 3-530656-3 |
| 1        | 530656-2 | 28              | 4.212 | 4.532 | 4.967 | 4.672 | .370 | 5.217 | 3-530656-2 |
| 1        | 530656-1 | 44              | 6.708 | 7.028 | 7.463 | 7.168 | .437 | 7.713 | 3-530656-1 |
| 1        | 530656-8 | 36              | 5.460 | 5.780 | 6.215 | 5.920 | .437 | 6.465 | 3-530656-8 |
| 1        | 530656-9 | 30              | 4.524 | 4.844 | 5.279 | 4.984 | .437 | 5.529 | 2-530656-9 |
| 1        | 530656-8 | 25              | 3.744 | 4.064 | 4.499 | 4.204 | .370 | 4.749 | 2-530656-8 |
| 1        | 530656-7 | 34              | 3.588 | 3.908 | 4.343 | 4.048 | .370 | 4.593 | 2-530656-7 |
| 1        | 530656-6 | 22              | 3.276 | 3.596 | 4.031 | 3.736 | .370 | 4.281 | 2-530656-6 |
| 1        | 530656-5 | 18              | 2.852 | 2.972 | 3.407 | 3.112 | .370 | 3.657 | 2-530656-5 |
| 1        | 530656-4 | 15              | 2.184 | 2.504 | 2.939 | 2.644 | .370 | 3.189 | 2-530656-4 |
| 1        | 530656-3 | 12              | 1.716 | 2.036 | 2.471 | 2.176 | .370 | 2.721 | 2-530656-3 |
| 1        | 530656-2 | 10              | 1.404 | 1.724 | 2.159 | 1.864 | .370 | 2.409 | 2-530656-2 |
| 1        | 530656-1 | 6               | .780  | 1.100 | 1.535 | 1.240 | .370 | 1.785 | 2-530656-1 |

THIS DRAWING IS A CONTROLLED DOCUMENT. REV 1 1984/75

TE Connectivity

HOUSING ASSY, LOW PROFILE, EDGE CONNECTOR, FLOW SOLDER, FOR .052 DIA. HOLE .156X.200 CTRS.

DATE CODE DRAWING NO: A1 00779 C=530656

SCALE: 4:1 SHEET 1 OF 1